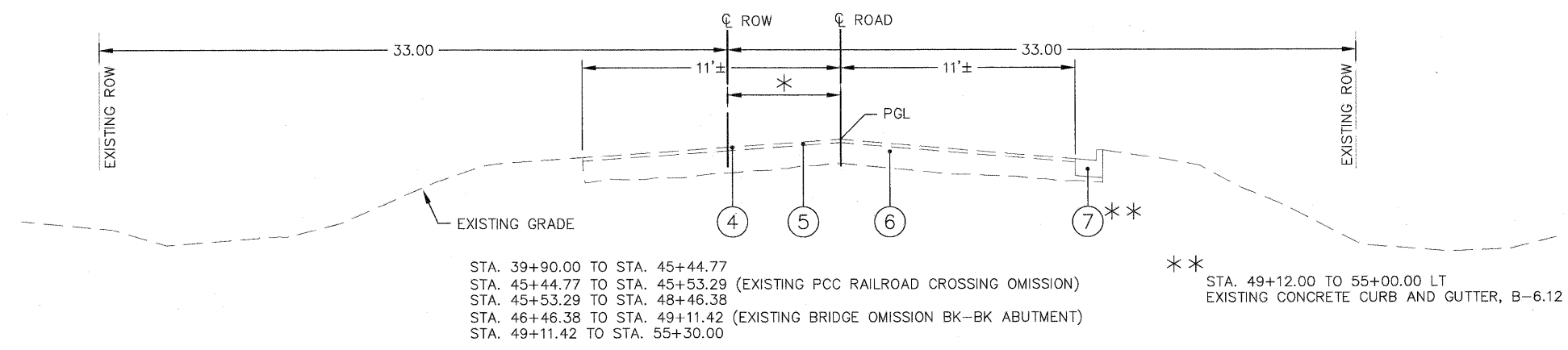
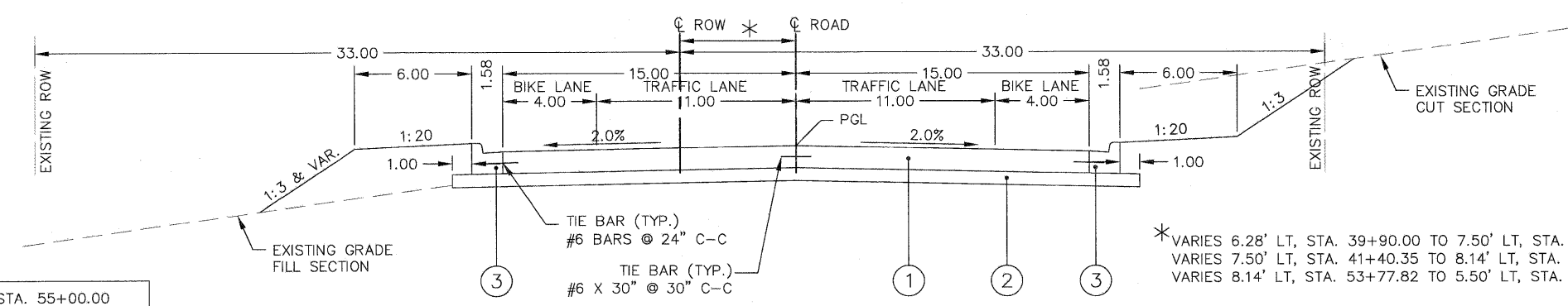


RTE.	SECTION	COUNTY	TOTAL SHEETS	SHEET NO.
N 5TH ST	03-00289-00-BR	ADAMS	90	6
STA.		TO STA.		
CONTRACT NO. 93542				



EXISTING TYPICAL SECTION
(NO SCALE)



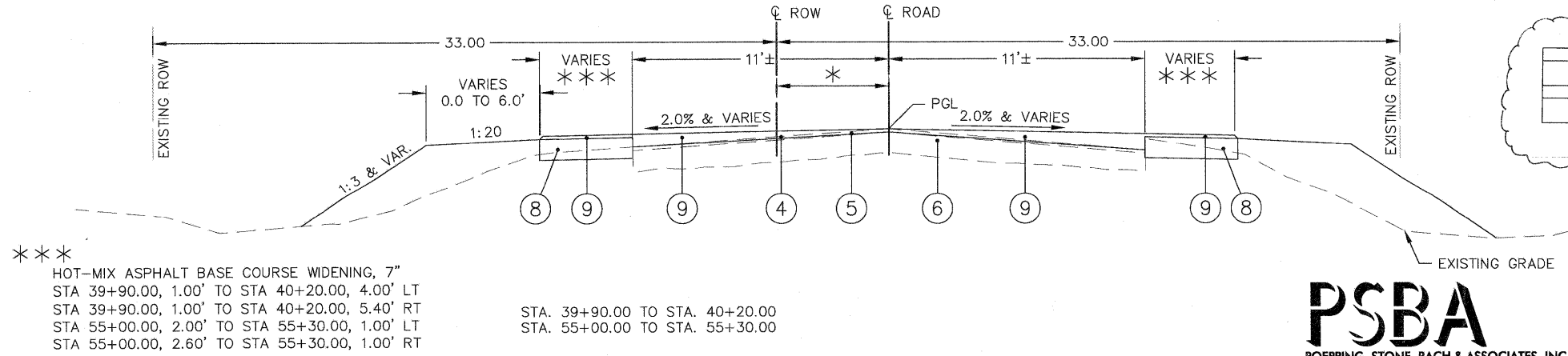
5TH ST. - STA. 40+20.00 TO STA. 55+00.00
 STRUCTURAL DESIGN TRAFFIC: YEAR 2021
 YEAR 2000 ADT = 725
 YEAR 2021 ADT = 1,099
 PV = 88% SU = 7% MU = 5%
 PV = 967 SU = 707 MU = 55
 DESIGN PERIOD: 20 YEARS
 ROAD/STREET CLASSIFICATION: CLASS III
 SUBGRADE SUPPORT: SSR = 6.5
 80,000 POUND LOAD LIMIT
 TRAFFIC FACTOR: TF = 0.41 CALCULATED
 TRAFFIC FACTOR: TF = 0.50 MINIMUM REQUIRED
 PROPOSED PAVEMENT:
 7.00" P.C.C. PAVEMENT - NON-REINFORCED
 12.50' TRANSVERSE DOWELLED JOINT SPACING
 4.00" SUBBASE GRANULAR MATERIAL, TYPE A

STA. 40+20.00 TO STA. 45+19.01
 STA. 45+19.01 TO STA. 45+44.77 (RAILROAD GRADE CROSSING - STD 420501)
 STA. 45+44.77 TO STA. 45+53.29 (CONC/RUBBER RAILROAD CROSSING OMISSION)
 STA. 45+53.29 TO STA. 45+79.06 (RAILROAD GRADE CROSSING - STD 420501)
 STA. 45+79.06 TO STA. 46+86.50
 STA. 46+86.50 TO STA. 47+60.00 (BRIDGE APPROACH CONNECTOR - STD 420401)
 STA. 47+60.00 TO STA. 48+16.50 (BRIDGE APPROACH PAVEMENT)
 STA. 48+16.50 TO STA. 49+43.50 (BRIDGE OMISSION BK-BK ABUTMENT)
 STA. 49+43.50 TO STA. 49+73.50 (BRIDGE APPROACH PAVEMENT)
 STA. 49+73.50 TO STA. 50+00.00 (BRIDGE APPROACH CONNECTOR - STD 420401)
 STA. 50+00.00 TO STA. 54+16.00
 STA. 54+16.00 TO STA. 54+80.00 (TAPER PAVEMENT WIDTH, 30' TO 22' @ 16:1)
 STA. 54+80.00 TO STA. 55+00.00

1. PORTLAND CEMENT CONCRETE PAVEMENT, 7" (DOWELED & JOINTED, MAX. 12.5-FT)
 2. SUB-BASE GRANULAR MATERIAL, TYPE A 4"
 3. COMBINATION CONCRETE CURB AND GUTTER, TYPE B-6.12
 4. EXISTING HOT-MIX ASPHALT SURFACE, 1.5" & VARIES
 5. EXISTING SEAL COAT, DEPTH VARIES
 6. EXISTING AGGREGATE BASE COURSE, DEPTH VARIES
 7. EXISTING CONCRETE CURB AND GUTTER, TYPE B-6.12
 8. HOT-MIX ASPHALT BASE COURSE WIDENING, 7"
 9. POLY HOT-MIX ASPHALT SURFACE COURSE, MIX "C", N50, 1.5" & VARIES
- NOTE: EXTEND SUB-BASE GRANULAR MATERIAL, TYPE A UNDER CURB A MINIMUM 4.0" THICKNESS.

HOT-MIX ASPHALT MIXTURE REQUIREMENTS			
ITEM	AGGREGATE COMPOSITION	ASPHALT GRADE	DESIGN AIR VOIDS
HMA BINDER CSE	IL - 19.0	PG 64-22	4.0% @ N50
HMA SURFACE CSE	IL - 9.5 or 12.5 Mix "C"	SBS PG 64-28	4.0% @ N50

> Hot-Mix Asphalt quantities based on 112 lb./sq.yd./inch



PROPOSED TYPICAL SECTION
(NO SCALE)

PSBA
 POEPPING, STONE, BACH & ASSOCIATES, INC.
 ARCHITECTS ENGINEERS PLANNERS SURVEYORS
 100 S 54TH ST, P.O. BOX 709 • QUINCY, IL 62306
 WITH OFFICES IN IKSOKUK, IOWA & HANNIBAL, MISSOURI
 www.psba.com • PHONE 877-223-4605

REVISIONS	
NAME	DATE
Revised	2-28-11

CITY OF QUINCY, ILLINOIS
 N. 5TH STREET BRIDGE
 TYPICAL SECTIONS

SCALE: VERT. _____
 HORIZ. _____
 DATE _____
 DRAWN BY: DBS
 CHECKED BY: AMW
 5th ST - TYPICAL SECTIONS