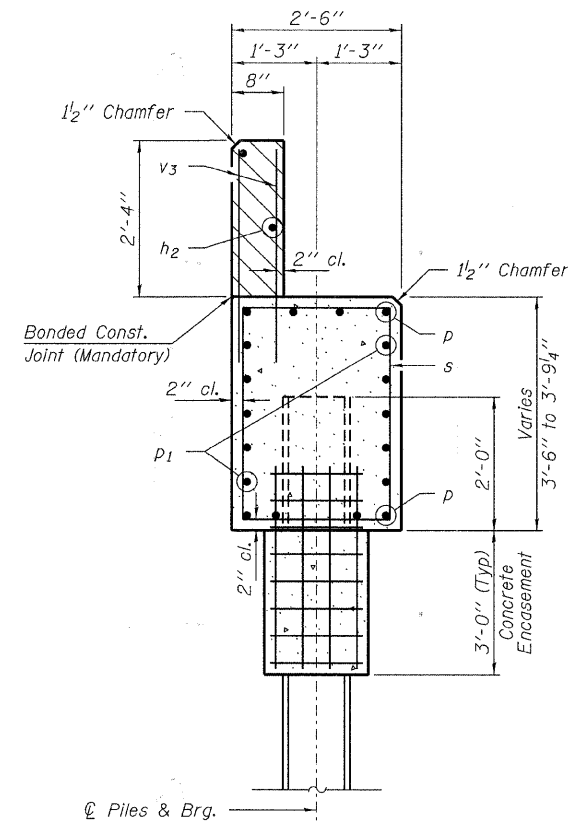
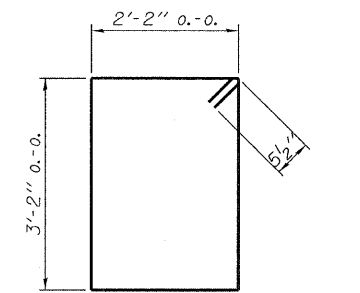


**PLAN**

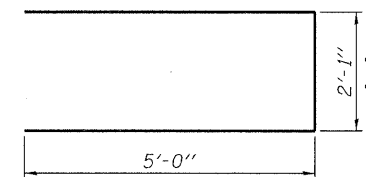


**SECTION A-A**

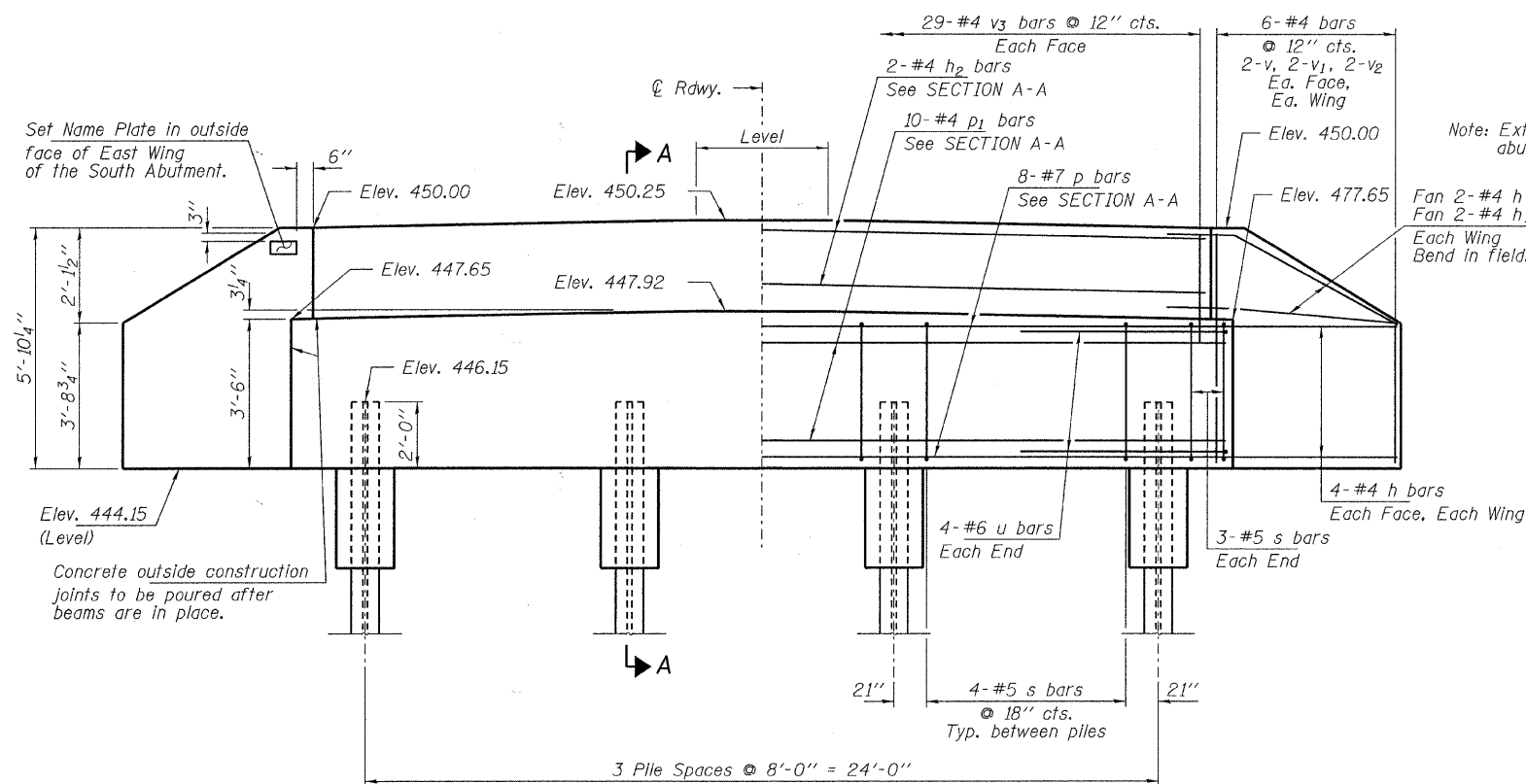
Hatched area to be poured after beams are in place.



**BAR s**



**BAR u**



**ELEVATION**

**BILL OF MATERIAL - 2 ABUTS.**

BAR	NO.	SIZE	LENGTH	SHAPE
h	40	#4	6'-6"	—
h1	8	#4	5'-0"	—
h2	4	#4	29'-2"	—
p	16	#7	29'-2"	—
p1	20	#4	29'-2"	—
s	36	#5	11'-7"	□
u	16	#6	12'-1"	—
v	16	#4	5'-5"	—
v1	16	#4	4'-5"	—
v2	16	#4	3'-5"	—
v3	116	#4	3'-2"	—
Concrete Structures			Cu. Yd.	26.8
Concrete Encasement			Cu. Yd.	2.6
Reinforcement Bars			Pound	2,730
Steel Piles HP12x53			Foot	490
Test Pile Steel HP12x53			Each	1
Name Plates			Each	1

**PILE DATA**

Type: Steel HP12x53  
 No. Req'd. (2 Abuts.): 8  
 Factored Resistance Available (Rf): 209 Kips/Pile  
 Nominal Required Bearing (Rn): 419 Kips/Pile  
 Est. Length: 70 Ft/Pile

Notes: \* Includes one test pile to be driven in permanent locations at the North Abutment.

The Steel H-Piles shall be according to AASHTO M270 Grade 50.

The test pile shall be driven to 110 percent of the Nominal Required Bearing indicated in the pile data information.

DESIGNED - A.S.L.
CHECKED - S.W.M.
DRAWN - D.A.B.
CHECKED - S.W.M.

**HAMPTON, LENZINI AND RENWICK, INC.**  
 CIVIL ENGINEERS - STRUCTURAL ENGINEERS - LAND SURVEYORS  
 3085 STEVENSON DRIVE, SUITE 201  
 SPRINGFIELD, ILLINOIS 62703  
 217.546.3400 www.hlrengineering.com

SHEET NO. 6

9 SHEETS

T.R.	SECTION	COUNTY	TOTAL SHEETS	SHEET NO.
10A	09-08134-00-BR	LAWRENCE	13	10
PETTY ROAD DISTRICT		CONTRACT NO. 95638		
FED. ROAD DIST. NO.		ILLINOIS	FED. AID PROJECT	

**ABUTMENTS  
 STRUCTURE NO. 051-3298**