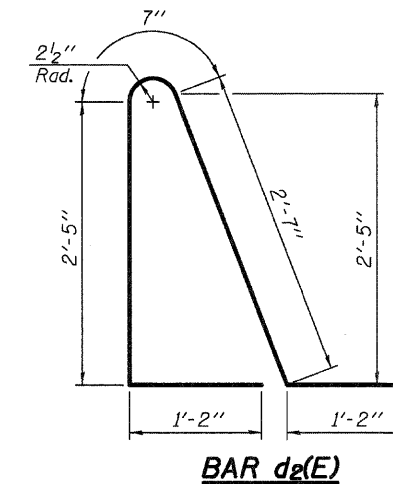
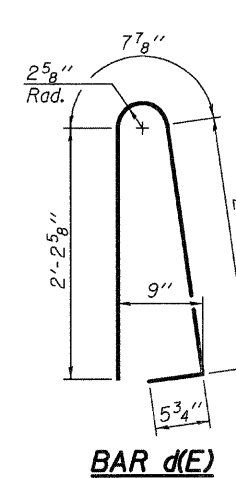
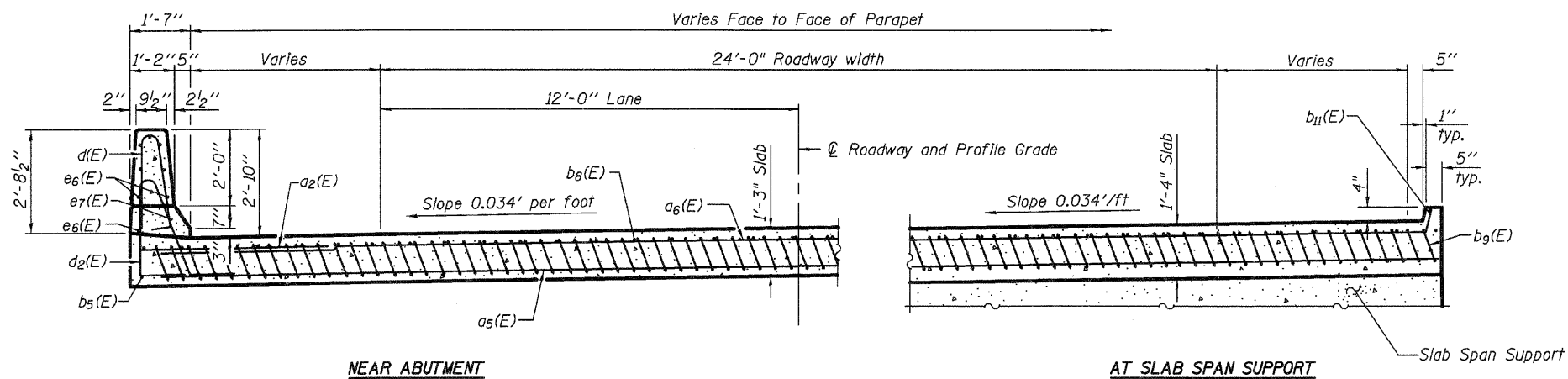


Notes:
 See sheet 16 of 32 for View A-A.
 Slab and parapet concrete shall be paid for as Concrete Superstructure.
 Reinforcement shall be paid for as Reinforcement Bars, Epoxy Coated.
 For v(E) bar details, see sheets 11, 12, 13 and 27 of 32.
 For bar splicer details, see sheet 29 of 32.
 Cost of excavation included with Concrete Structures.
 For Porous Granular Embankment (Special) and drainage treatment details, see sheet 3 of 32.
 For additional parapet details, see sheet 12 of 32.
 For Slab Span Support details, see sheet 27 of 32.

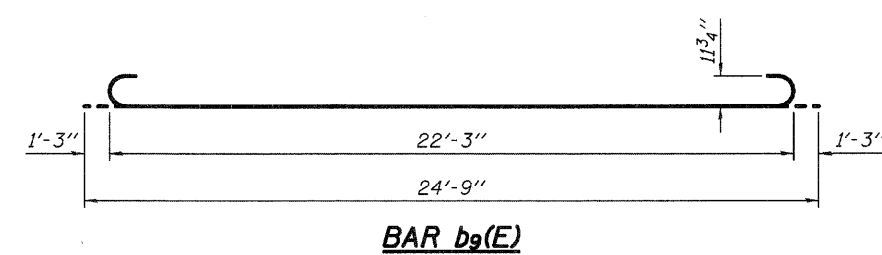
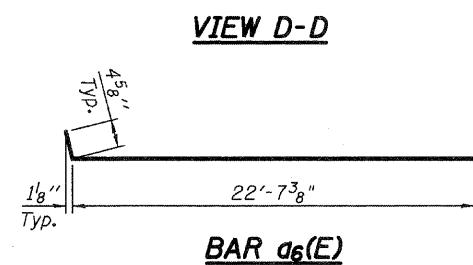
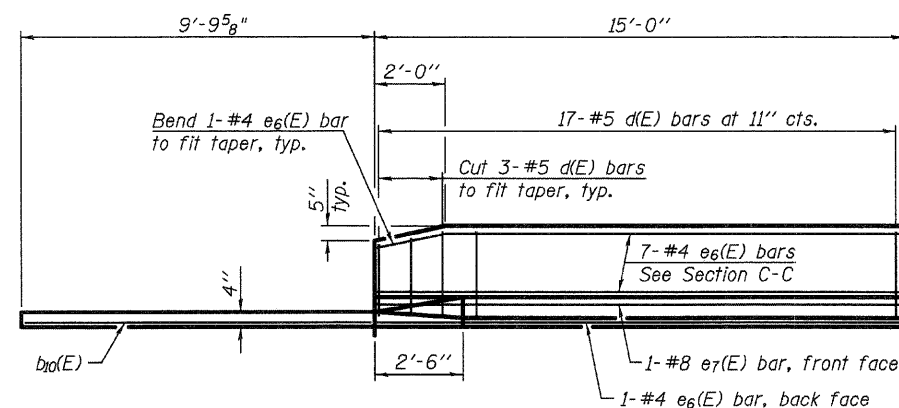
* Tilt #9 b₉(E) bars as required to maintain clearance.

*** Cost included with Concrete Superstructure.



**SLAB SPAN
BILL OF MATERIAL**

Bar	No.	Size	Length	Shape
a ₂ (E)	20	#6	6'-6"	—
a ₅ (E)	76	#5	22'-8"	—
a ₆ (E)	34	#5	23'-0"	—
b ₅ (E)	4	#4	14'-8"	—
b ₈ (E)	27	#5	24'-8"	—
b ₉ (E)	86	#9	24'-9"	—
b ₁₀ (E)	1	#4	10'-4"	—
b ₁₁ (E)	1	#4	9'-5"	—
d(E)	34	#5	5'-7"	⌒
d ₂ (E)	34	#5	7'-11"	⌒
e ₆ (E)	16	#4	14'-8"	—
e ₇ (E)	2	#8	14'-8"	—
Concrete Superstructure		Cu. Yd.	50.0	
Bridge Deck Grooving		Sq. Yd.	99	
Protective Coat		Sq. Yd.	119	
Reinforcement Bars, Epoxy Coated		Pound	11,510	



FILE NAME =	USER NAME =	DESIGNED - MJP	REVISOR -	STATE OF ILLINOIS DEPARTMENT OF TRANSPORTATION	SLAB SPAN DETAILS STRUCTURE NO. 039-0073	F.A.S. RTE. 1908	SECTION (13BJ)-2	COUNTY JACKSON	TOTAL SHEETS 71	SHEET NO. 55	
	PLOT SCALE =	CHECKED - RLM	REVISOR -			CONTRACT NO. 98898					
	PLOT DATE = 12/02/2010	DRAWN - AEC	REVISOR -			ILLINOIS FED. AID PROJECT					
		CHECKED - MJP	REVISOR -			SHEET NO. 17 OF 32 SHEETS					