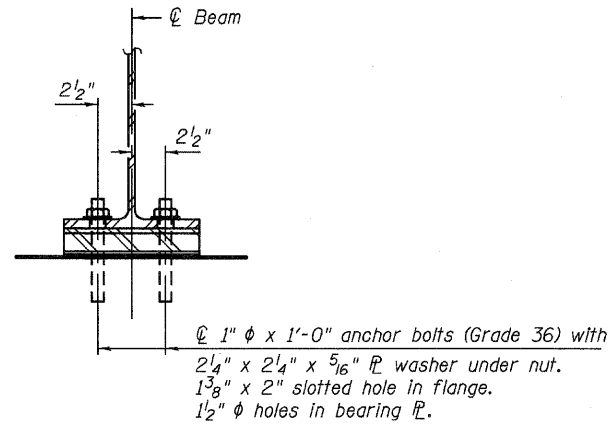


1/8" elastomeric neoprene leveling pad according to the material properties of Article 1052.02(a) of the Standard Specifications. Cost included with Structural Steel.

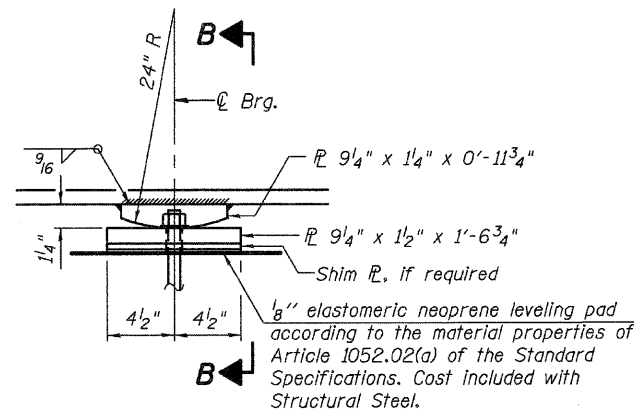
**ELEVATION AT ABUTMENT**

**FIXED BEARING AT ABUTMENT**

(12 Required)



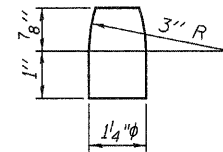
**SECTION A-A**



**ELEVATION AT PIER**

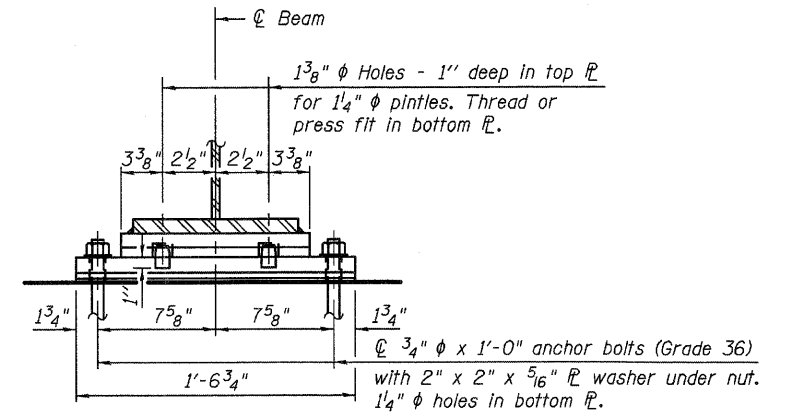
**FIXED BEARING AT PIER**

(12 Required)



**PINTLE**

(24 Required)



**SECTION B-B**

**Notes:**  
 Bearing plates and pintles shall be AASHTO M270 Grade 50.  
 Anchor bolts shall be ASTM F1554 all-thread (or an Engineer-approved alternate material) of the grade(s) and diameter(s) specified. ASTM A307 Grade C anchor bolts may be used in lieu of ASTM F1554 Grade 36 (Fy=36ksi). The corresponding specified grade of AASHTO M314 anchor bolts may be used in lieu of ASTM F1554.  
 Anchor bolts at fixed bearings may be either cast in place or installed in holes drilled after the supported member is in place.  
 Drilled and set anchor bolts shall be installed according to Article 521.06 of the Standard Specifications.  
 Two 1/8 in. adjusting shims shall be provided for each bearing in addition to all other plates or shims and placed as shown on bearing details.  
 The anchor bolt sizes and grades shown constitute a calculated seismic structural fuse. Substitution of higher diameter and/or grade anchor bolts will not be allowed.

**BILL OF MATERIAL**

Item	Unit	Total
Anchor Bolts, 3/4"	Each	24
Anchor Bolts, 1"	Each	24



FILE NAME =	USER NAME =	DESIGNED - RLM	REVISED -	<b>STATE OF ILLINOIS DEPARTMENT OF TRANSPORTATION</b>	<b>BEARING DETAILS STRUCTURE NO. 039-0073</b>	F.A.S. RTE. 1908	SECTION (13B)I-2	COUNTY JACKSON	TOTAL SHEETS 71	SHEET NO. 61	
	PLOT SCALE =	CHECKED - MJP	REVISED -			CONTRACT NO. 98898					
	PLOT DATE = 12/02/2010	DRAWN - PRC	REVISED -			ILLINOIS FED. AID PROJECT					
		CHECKED - MJP	REVISED -			SHEET NO. 22 OF 32 SHEETS					