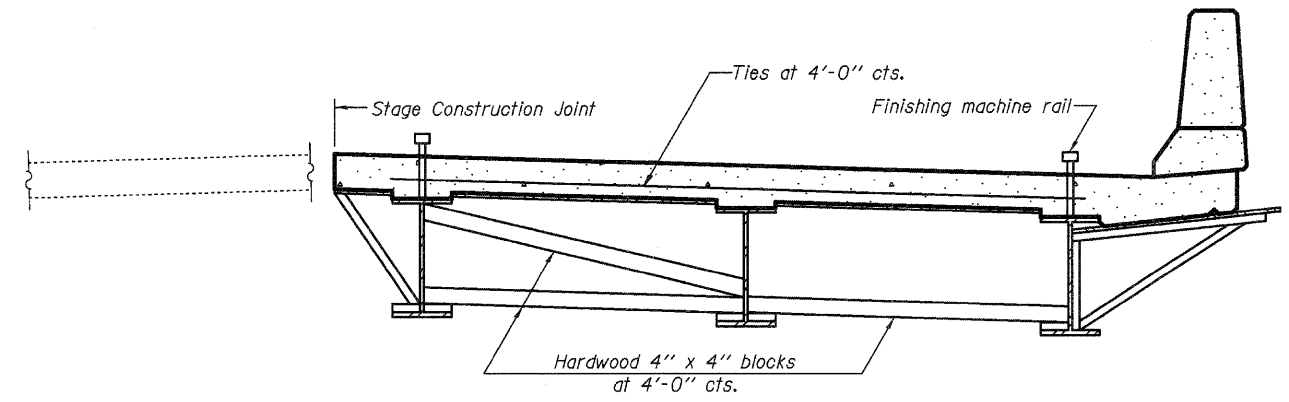


When cantilever forming brackets are used, the work shall be done according to Article 503.06(b) of the Standard Specifications, except as modified below and in the details shown on this sheet.

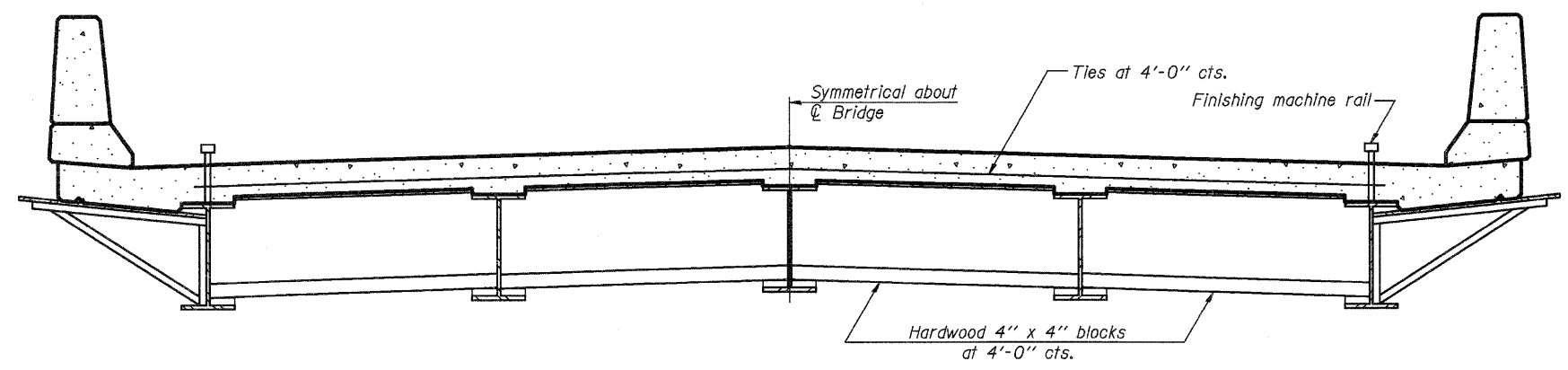
The finishing machine rails shall be placed on the top flange of the exterior beams.

The beams or girders, supporting cantilever forming brackets, shall be tied together at 4 foot intervals.

For Standard construction, or Stage Construction the Hardwood bracing materials shall be placed as shown between webs of beams in each bay.



**FORM BRACES FOR
STAGE CONSTRUCTION**



**FORM BRACES FOR
STANDARD CONSTRUCTION**



SB-1 7-1-10

FILE NAME =	USER NAME =	DESIGNED - RLM	REVISED -	STATE OF ILLINOIS DEPARTMENT OF TRANSPORTATION	CANTILEVER FORMING BRACKETS FOR SUPERSTRUCTURES WITH W27 BEAMS AND SMALLER STRUCTURE NO. 039-0073	F.A.S. RTE.	SECTION	COUNTY	TOTAL SHEETS	SHEET NO.	
	PLOT SCALE =	CHECKED - MJP	REVISED -			1908	(13B)1-2	JACKSON	71	69	
	PLOT DATE = 12/02/2010	DRAWN - AEC	REVISED -			CONTRACT NO. 98898					
		CHECKED - RLM	REVISED -			ILLINOIS FED. AID PROJECT					