

STATE OF ILLINOIS  
DEPARTMENT OF TRANSPORTATION

F.A. RTE.	SECTION	COUNTY	TOTAL SHEETS	SHEET NO.
VAR.	2021-111-TS	VARIOUS	12	1
		ILLINOIS	CONTRACT NO. 62R38	

FOR INDEX OF SHEETS, SEE SHEET NO. 2

**PROPOSED  
HIGHWAY PLANS**

**ROUTE: VARIOUS DISTRICT ONE  
DISTRICT WIDE  
SECTION: 2021-111-TSR  
VARIOUS SIGN MAINTENANCE  
COUNTY: VARIOUS  
C-91-150-22**



**SEE LOCATION MAPS  
SHEETS 4 THRU 8**

J.U.L.I.E.  
JOINT UTILITY LOCATION INFORMATION FOR EXCAVATION  
1-800-892-0123  
OR 811

PROJECT MANAGER J. ALAIN MIDY (847) 221-3056

CONTRACT NO. 62R38

STATE OF ILLINOIS  
DEPARTMENT OF TRANSPORTATION

SUBMITTED ~~December 22, 2021~~  
*Joe Piro* REGIONAL ENGINEER

February 4, 2022  
*[Signature]* ENGINEER OF DESIGN AND ENVIRONMENT

February 4, 2022  
*Stephen M. Smith* DIRECTOR OF HIGHWAYS PROJECT IMPLEMENTATION

**PRINTED BY THE AUTHORITY  
OF THE STATE OF ILLINOIS**

# INDEX OF SHEETS

SHEET NO.	DESCRIPTION
1	COVER SHEET
2	INDEX OF SHEETS, STANDARDS AND GENERAL NOTES
3	SUMMARY OF QUANTITIES
4-8	LOCATION MAPS
9	ENTRANCE AND EXIT RAMP CLOSURE DETAILS (TC-8)
10	TRAFFIC CONTROL DETAILS FOR SINGLE AND MULTI-LANE WEAVES (TC-9)
11	TRAFFIC CONTROL DETAILS FOR SHOULDER CLOSURES AND PARTIAL RAMP CLOSURES (TC-17)
12	MILE POST MARKERS - CORE SIGNS MAJOR GUIDE SIGN LAYOUT - ARROWS (TC-27)

# LIST OF STATE STANDARDS

STANDARD NO.	DESCRIPTION
701006-05	OFF-RD OPERATIONS, 2L, 2W, 15' to 24" FROM PAVEMENT EDGE
701011-04	OFF-RD MOVING OPERATIONS, 2L,2W, DAY ONLY
701101-05	OFF-RD OPERATIONS, MULTILANE, 15' TO 24" FROM PAVEMENT EDGE
701106-02	OFF-RD OPERATIONS, MULTILANE, MORE THAN 15' AWAY
701301-04	LANE CLOSURE, 2L, 2W, SHORT TIME OPERATIONS
701400-11	APPROACH TO LANE CLOSURE, FREEWAY/EXPRESSWAY
701401-13	LANE CLOSURE, FREEWAY/EXPRESSWAY
701411-09	LANE CLOSURE, MULTILANE, AT ENTRANCE OR EXIT RAMPS, FOR SPEEDS ≥ 45 MPH
701426-09	LANE CLOSURE, MULTILANE, INTERMITTENT OR MOVING OPERATIONS, FOR SPEEDS ≥ 45 MPH
701427-05	LANE CLOSURE, MULTILANE, INTERMITTENT OR MOVING OPERATIONS, FOR SPEEDS ≤ 40 MPH
701428-01	TRAFFIC CONTROL SETUP AND REMOVAL FREEWAY/EXPRESSWAY
701446-11	TWO LANE CLOSURE, FREEWAY/EXPRESSWAY
701901-08	TRAFFIC CONTROL DEVICES
720001-01	SIGN PANEL MOUNTING DETAILS
720006-04	SIGN PANEL ERECTION DETAILS
720011-01	METAL POSTS FOR SIGNS, MARKERS AND DELINEATORS
720016-04	MAST ARM MOUNTED STREET NAME SIGNS
720021-03	SIGN PANELS EXTRUDED ALUMINUM TYPE
728001-01	TELESCOPING STEEL SIGN SUPPORT
729001-01	APPLICATIONS OF TYPES A AND B METAL POSTS (FOR SIGNS AND MARKERS)
731001-01	BASE FOR TELESCOPING STEEL SIGN SUPPORT

# GENERAL NOTES

BEFORE STARTING ANY EXCAVATION, THE CONTRACTOR SHALL CALL "JULIE" AT 800-892-0123 OR 811 FOR FIELD LOCATIONS OF BURIED ELECTRIC, TELEPHONE AND GAS FACILITIES. (48 HOUR NOTIFICATION IS REQUIRED)

BEFORE STARTING ANY EXCAVATION, THE CONTRACTOR SHALL CALL "C.U.A.N." (CHICAGO UTILITY ALERT NETWORK) AT (312) 744-7000 FOR FIELD LOCATIONS OF BURIED ELECTRIC, TELEPHONE AND GAS UTILITIES. (48 HOUR NOTIFICATION IS REQUIRED).

ALL WORK SHALL BE DONE AS INDICATED IN THE WORK ORDER FORM.

NO MATERIAL SHALL BE LEFT ON OR NEAR THE ROADWAY DURING NON-WORKING HOURS.

ANY HARDWARE REFERENCED IN THE PLANS OR SPECIAL PROVISIONS SHALL BE SUPPLIED AND INSTALLED BY THE CONTRACTOR. THE COST OF THE HARDWARE IS INCLUDED IN THE COST OF THE ITEMS INVOLVED.

REMOVAL OF DAMAGED MATERIALS SHALL INCLUDE DISMANTLING, LOADING, HAULING AND DISPOSAL. THE WORK SITE SHALL BE LEFT IN A SAFE AND ORDERLY CONDITION.

THE CONTRACTOR SHALL PICK UP THE SIGNS FROM ANY ONE OF THE FOUR (4) SIGN SHOPS THAT ISSUED THEM THE WORK ORDER.

THE CONTRACTOR SHALL REQUEST AND GAIN APPROVAL FOR THE ILLINOIS DEPARTMENT OF TRANSPORTATION'S EXPRESSWAY TRAFFIC OPERATIONS ENGINEER AT WWW.IDOTLCS.COM TWENTY FOUR HOURS IN ADVANCE OF ALL DAILY LANE, RAMP AND SHOULDER CLOSURES. ALLOWABLE HOURS ON THE EXPRESSWAY SHALL BE DETERMINED BY THE EXPRESSWAY TRAFFIC OPERATIONS ENGINEER.

CONTRACTOR SHALL NOT IMPLEMENT TRAFFIC CONTROL STANDARD 701426-09 ON THE INTERSTATE SYSTEM.

THE SIGN SHOP LOCATIONS ARE AS FOLLOWS:

(ESS)  
IDOT ELGIN SIGN SHOP  
595 S. STATE STREET, DRIVE F, DOOR 22  
ELGIN, IL 60123  
(847) 741-5302

(SSSS)  
IDOT SOUTHSIDE SIGN SHOP  
15940 PULASKI RD.  
MARKHAM, IL 60426  
(708) 597-9800

(NSSS)  
IDOT NORTHSIDE SIGN SHOP  
7151 W. FOREST PRESERVE DRIVE  
CHICAGO, IL 60634  
(773) 685-8386

(NLSS)  
IDOT NEW LENOX SIGN SHOP  
1400 W. MAPPLE STREET  
NEW LENOX, IL 60451  
(815) 485-6475

FILE NAME =	USER NAME = midyja	DESIGNED -	REVISED -	<b>STATE OF ILLINOIS DEPARTMENT OF TRANSPORTATION</b>	<b>INDEX OF SHEETS, STATE STANDARDS &amp; GENERAL NOTES</b>	F.A. RTÉ.	SECTION	COUNTY	TOTAL SHEETS	SHEET NO.
pw\idot-pw.bentley.com\PWIDOT\Documents\IDOT Offices\District 1\Projects\DI06417\CAD\DRAWING\B106417-sht-pln.dgn		CHECKED -	REVISED -			VAR.	2021-111-TSR	VARIOUS	12	2
PLOT SCALE = 100.0000' / in.		DATE -	REVISED -			CONTRACT NO. 62R38				
PLOT DATE = 12/22/2021						SCALE: SHEET NO. OF SHEETS STA. TO STA.			FED. ROAD DIST. NO.	ILLINOIS FED. AID PROJECT

SUMMARY OF QUANTITIES			TOTAL QUANTITIES URBAN	CONSTRUCTION TYPE CODE				
CODE NO	ITEM	UNIT		100% STATE 0044				
63500105	DELINEATORS	EACH	100	100				
70200100	NIGHTTIME WORK ZONE LIGHTING	L SUM	1	1				
72300100	INSTALL EXISTING SIGN PANEL	SO FT	1250	1250				
72400100	REMOVE SIGN PANEL ASSEMBLY - TYPE A	EACH	300	300				
72400200	REMOVE SIGN PANEL ASSEMBLY - TYPE B	EACH	200	200				
72400330	REMOVE SIGN PANEL - TYPE 3	SO FT	1200	1200				
72400500	RELOCATE SIGN PANEL ASSEMBLY - TYPE A	EACH	100	100				
72400600	RELOCATE SIGN PANEL ASSEMBLY - TYPE B	EACH	50	50				
72400730	RELOCATE SIGN PANEL - TYPE 3	SO FT	250	250				
72800100	TELESCOPING STEEL SIGN SUPPORT	FOOT	2000	2000				
73000100	WOOD SIGN SUPPORT	FOOT	700	700				
X0320586	FLEXIBLE DELINEATORS	EACH	80	80				
X0325130	TUBULAR TRAFFIC SIGN POST	EACH	50	50				
X0326174	REPAIR EXISTING SIGN ASSEMBLY	EACH	50	50				
X0326181	INSTALL STREET SIGN	SO FT	500	500				
X0327356	INSTALL ROUND STEEL SIGN SUPPORT	FOOT	4	4				

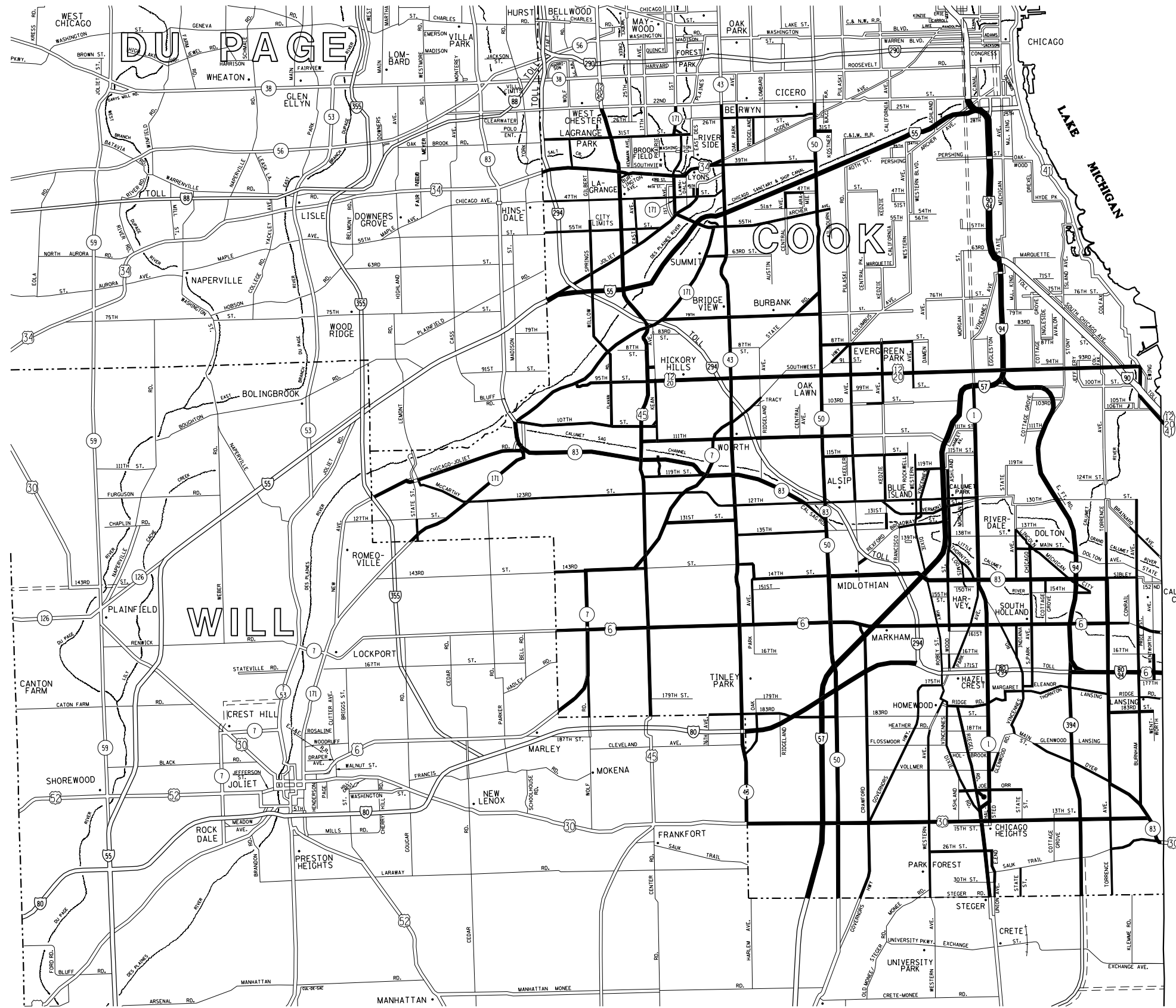
SUMMARY OF QUANTITIES			TOTAL QUANTITIES URBAN	CONSTRUCTION TYPE CODE				
CODE NO	ITEM	UNIT		100% STATE 0044				
X0877000	STRAIGHTEN EXISTING SIGN POST - TYPE A ASSEMBLY	EACH	75	75				
X0877100	STRAIGHTEN EXISTING SIGN POST - TYPE B ASSEMBLY	EACH	75	75				
X0877200	STRAIGHTEN EXISTING SIGN POST - TYPE 3 ASSEMBLY	EACH	25	25				
X2010100	TREE LIMB REMOVAL (4 TO 10 INCHES DIAMETER)	EACH	25	25				
X7200150	INSTALL SIGN PANEL - TYPE 1 (EXPRESSWAY)	SO FT	500	500				
X7200250	INSTALL SIGN PANEL - TYPE 2 (EXPRESSWAY)	SO FT	800	800				
X7200350	INSTALL SIGN PANEL - TYPE 3 (EXPRESSWAY)	SO FT	200	200				
X7230100	INSTALL SIGN PANEL - TYPE 1	SO FT	3000	3000				
X7230200	INSTALL SIGN PANEL - TYPE 2	SO FT	1000	1000				
X7230203	INSTALL SIGN PANEL - TYPE 3	SO FT	200	200				
X7240195	REMOVE EXISTING SIGN PANEL	EACH	80	80				
X7270025	REMOVE EXISTING SIGN SUPPORT	EACH	100	100				
X7270030	RELOCATE EXISTING SIGN SUPPORT	EACH	25	25				
Z0019307	HOLES DRILLED	EACH	20	20				

FILE NAME =	USER NAME = mlayja	DESIGNED -	REVISED -
dw:\N1dot-pw\benley.com\PW\DOT Documents\DOT - Office\District\Projects\0164\NCADData\Design\016417-shr-pla.d		DRAWN -	REVISED -
		CHECKED -	REVISED -
		DATE -	REVISED -

**STATE OF ILLINOIS  
DEPARTMENT OF TRANSPORTATION**

<b>SUMMARY OF QUANTITIES</b>			
SCALE:	SHEET NO.	OF SHEETS	STA. TO STA.

F.A. RTE.	SECTION	COUNTY	TOTAL SHEETS	SHEET NO.
VAR.	2021-111-TSR	VARIOUS	12	3
CONTRACT NO. 62R38				
FED. ROAD DIST. NO. 1   ILLINOIS FED. AID PROJECT				

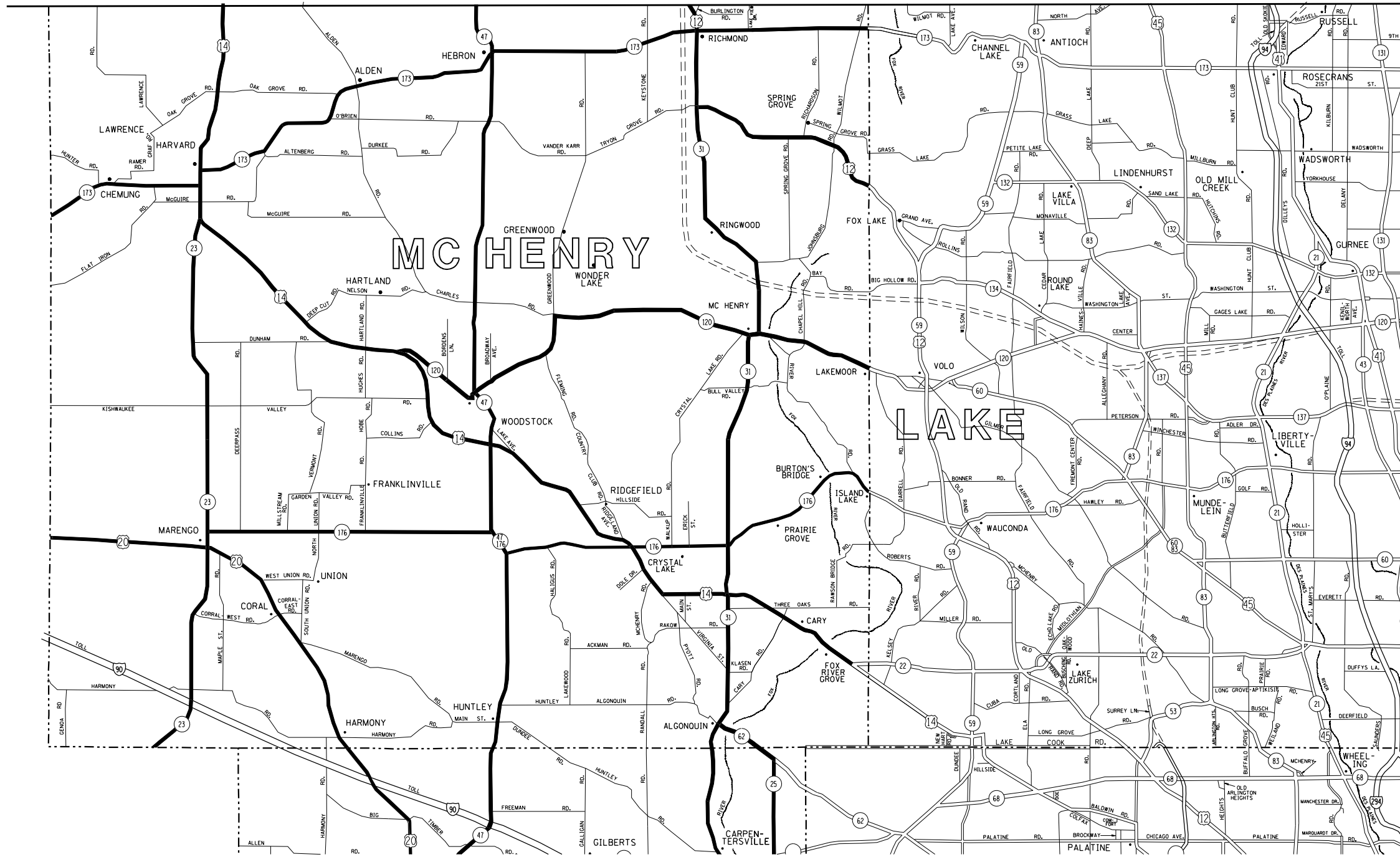


**— SOUTH SIDE SIGN SHOP JURISDICTION**

- DISTRICT NO. 1
- STATE HIGHWAYS & EXPRESSWAYS WITHIN STATE JURISDICTION (EXCEPT TOLLWAYS)
  - - - FUTURE HIGHWAYS
  - VARIOUS AGENCIES HIGHWAYS

FILE NAME =	USER NAME = midyja	DESIGNED -	REVISED -	<b>STATE OF ILLINOIS DEPARTMENT OF TRANSPORTATION</b>	<b>SOUTH SIDE SIGN SHOP JURISDICTION SIGN INSTALLATION AND REPAIR</b>	F.A. RTE.	SECTION	COUNTY	TOTAL SHEETS	SHEET NO.
pw:\idot-pw.bentley.com\PIDOT\Documents\IDOT Offices\District 1\Projects\106417\CA\DRAWING\106417-sht-plan.dgn	PLOT SCALE = 100.0000' / in.	CHECKED -	REVISED -			VAR.	2021-111-TSR	VARIOUS	12	4
PLOT DATE = 12/22/2021	DATE -	REVISED -	REVISED -			CONTRACT NO. 62R38				
						FED. ROAD DIST. NO.	ILLINOIS	FED. AID PROJECT		
SCALE:						SHEET NO.	OF	SHEETS	STA.	TO STA.

# WISCONSIN



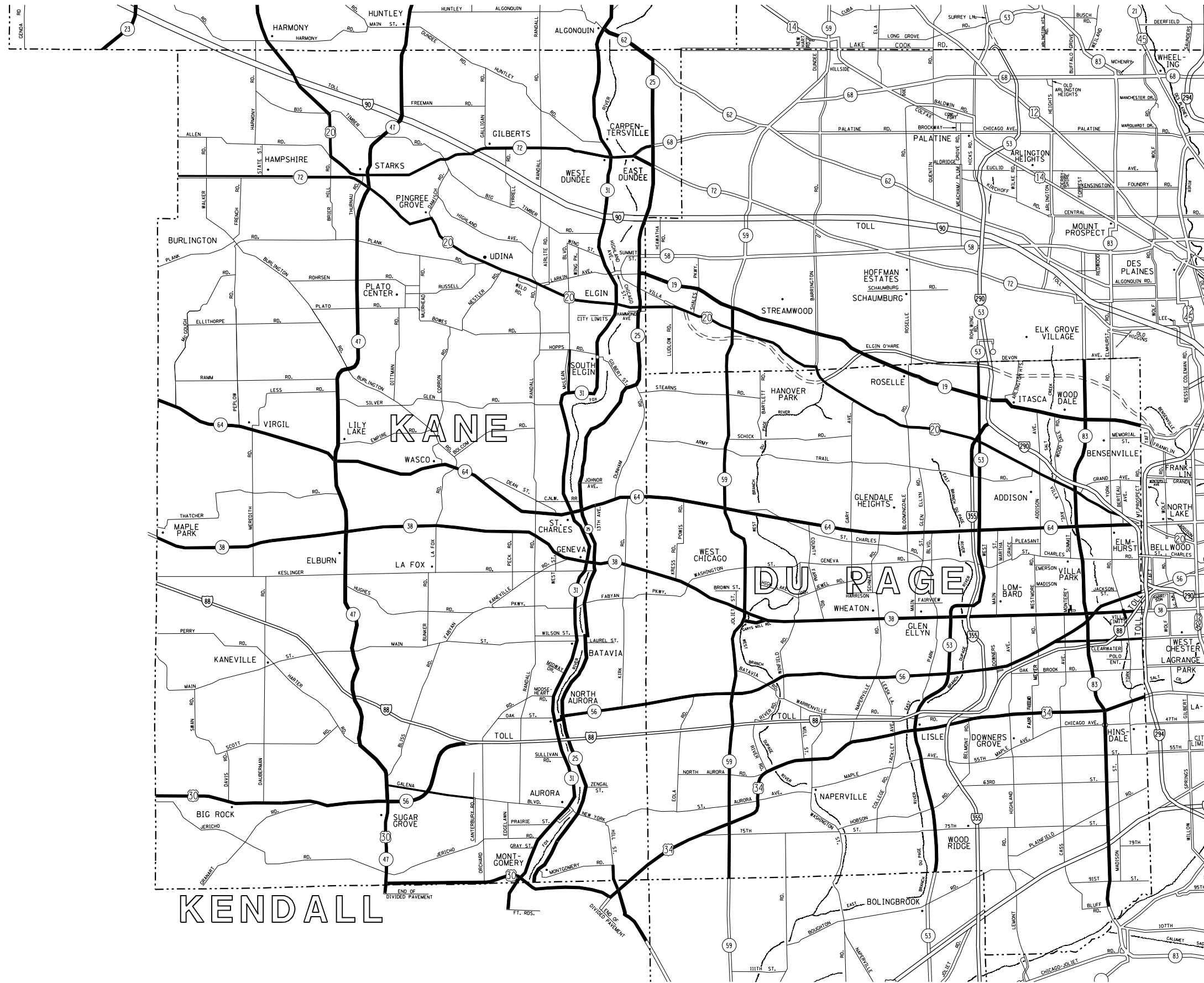
**ELGIN SIGN SHOP JURISDICTION**

- DISTRICT NO. 1
- STATE HIGHWAYS & EXPRESSWAYS WITHIN STATE JURISDICTION (EXCEPT TOLLWAYS)
  - - - FUTURE HIGHWAYS
  - VARIOUS AGENCIES HIGHWAYS

SEE NEXT SHEET FOR ELGIN SIGN SHOP CONTINUATION

FILE NAME =	USER NAME = midyja	DESIGNED -	REVISED -	<b>STATE OF ILLINOIS DEPARTMENT OF TRANSPORTATION</b>	<b>ELGIN SIGN SHOP JURISDICTION SHEET 1 OF 2 SIGN INSTALLATION AND REPAIR</b>	F.A. RTE.	SECTION	COUNTY	TOTAL SHEETS	SHEET NO.
pw:\idot-pw.bentley.com\PWIDOT\Documents\IDOT Offices\District 1\Projects\106417\CADD\Drawings\106417-sht-plan.dgn		REVISIONS	REVISIONS			VAR.	2021-111-TSR	VARIOUS	12	5
PLOT SCALE = 100.0000' / 1" =	CHECKED -	REVISIONS	REVISIONS			CONTRACT NO. 62R38				
PLOT DATE = 12/22/2021	DATE -	REVISIONS	REVISIONS			FED. ROAD DIST. NO.	ILLINOIS	FED. AID PROJECT		

SEE PREVIOUS SHEET FOR ELGIN SIGN SHOP CONTINUATION



**ELGIN SIGN SHOP JURISDICTION**

- DISTRICT NO. 1
- STATE HIGHWAYS & EXPRESSWAYS WITHIN STATE JURISDICTION (EXCEPT TOLLWAYS)
  - - - FUTURE HIGHWAYS
  - VARIOUS AGENCIES HIGHWAYS

FILE NAME =	USER NAME = midyja	DESIGNED -	REVISED -
p:\11dot-pw.bentley.com\PWIDOT\Documents\11DOT Offices\District 1\Projects\1106417\CADD\DRAWING\9106417-sht-plan.dgn		REVISED -	REVISED -
PLOT SCALE = 100.0000' / in.	CHECKED -	REVISED -	REVISED -
PLOT DATE = 12/22/2021	DATE -	REVISED -	REVISED -

**STATE OF ILLINOIS  
DEPARTMENT OF TRANSPORTATION**

**ELGIN SIGN SHOP JURISDICTION SHEET 2 OF 2  
SIGN INSTALLATION AND REPAIR**

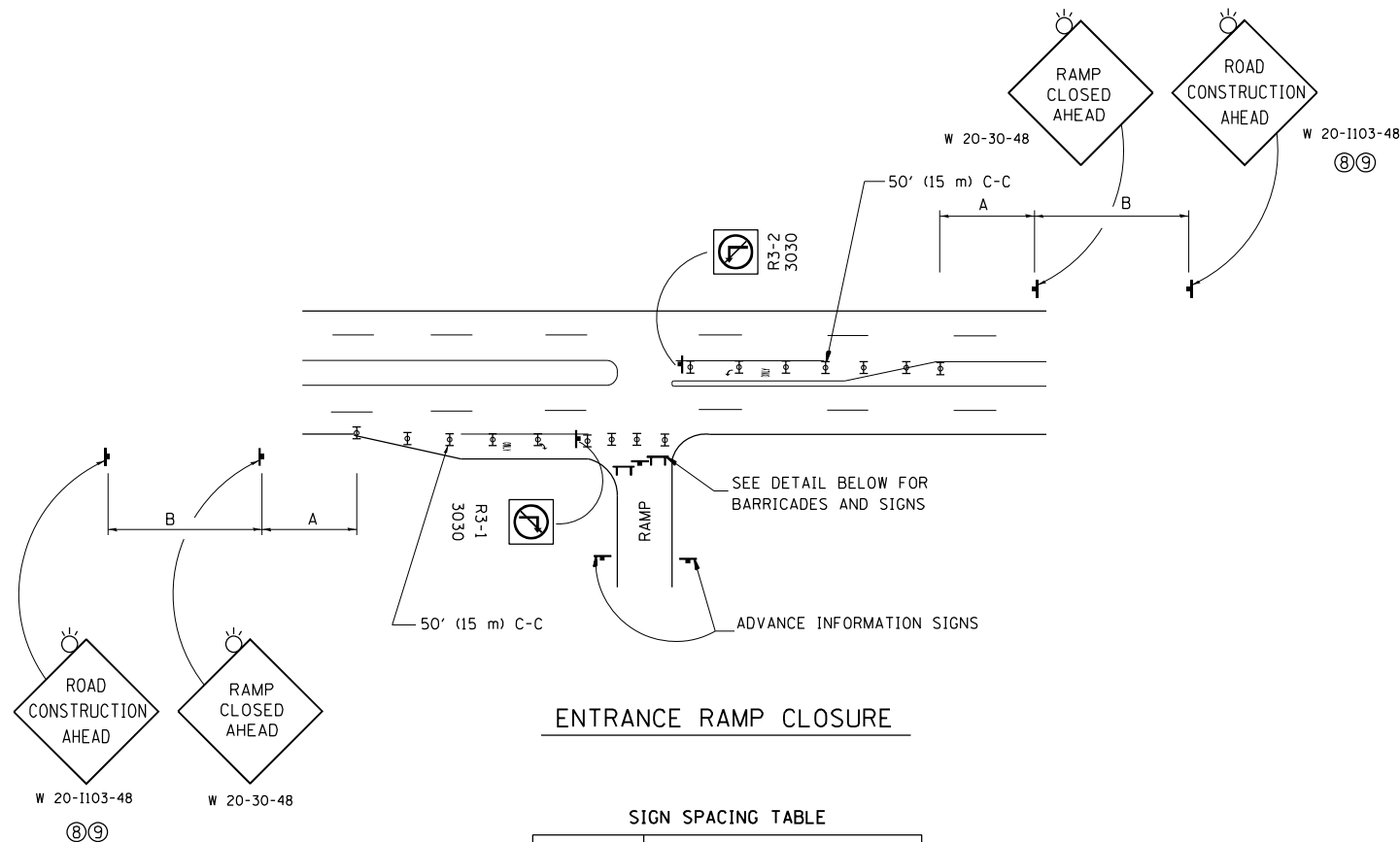
SCALE: SHEET NO. OF SHEETS STA. TO STA.

F.A. RTE.	SECTION	COUNTY	TOTAL SHEETS	SHEET NO.
VAR.	2021-111-TSR	VARIOUS	12	6
			CONTRACT NO. 62R38	
FED. ROAD DIST. NO.		ILLINOIS FED. AID PROJECT		







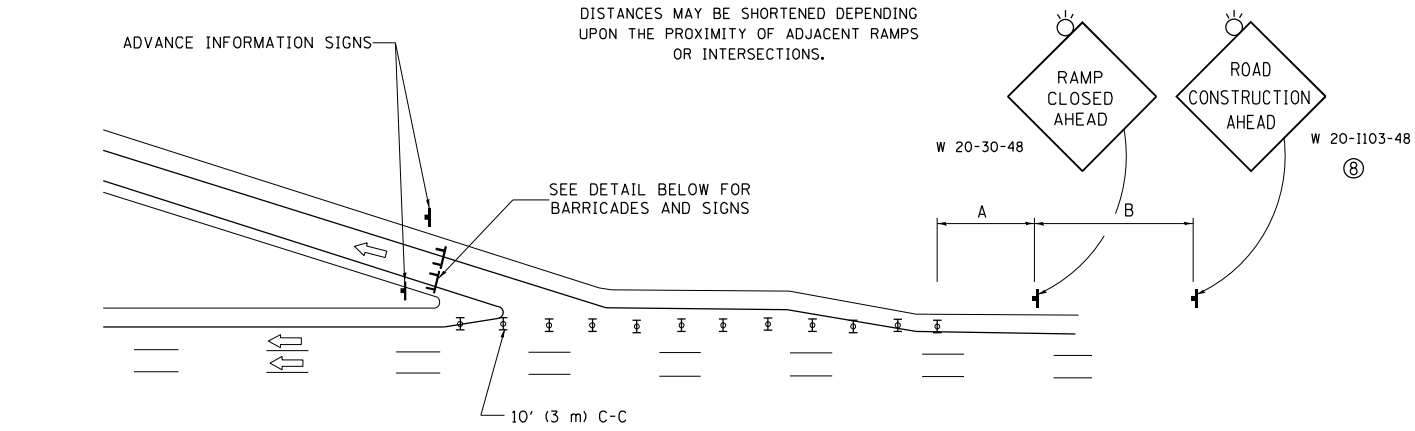


**ENTRANCE RAMP CLOSURE**

**SIGN SPACING TABLE**

FACILITY	DISTANCE BETWEEN SIGNS	
	A	B
EXPRESSWAY >24 HOURS	1000' (300 m)	1500' (450 m)
EXPRESSWAY <24 HOURS	500' (150 m)	500' (150 m)
ARTERIAL 55 MPH	500' (150 m)	500' (150 m)
ARTERIAL 50-45 MPH	350' (100 m)	350' (100 m)
ARTERIAL <45 MPH	200' (60 m)	200' (60 m)

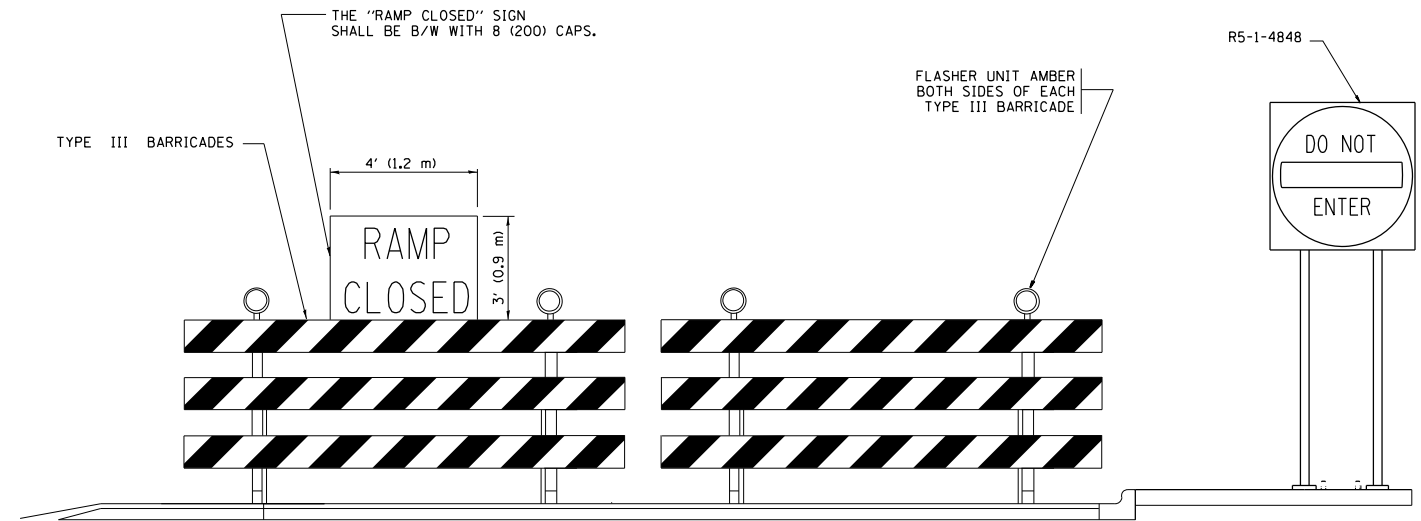
DISTANCES MAY BE SHORTENED DEPENDING UPON THE PROXIMITY OF ADJACENT RAMPS OR INTERSECTIONS.



**EXIT RAMP CLOSURE**

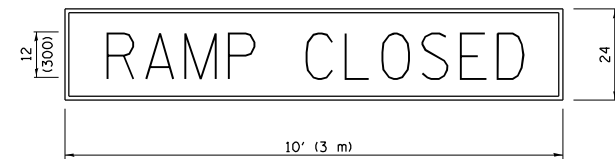
**SYMBOLS**

- ⊥ TYPE II BARRICADE OR DRUM WITH STEADY BURN MONO-DIRECTIONAL LIGHT
- ⊓ TYPE III BARRICADE WITH 2 FLASHING LIGHTS



**DETAIL FOR REQUIRED BARRICADES & SIGNS**

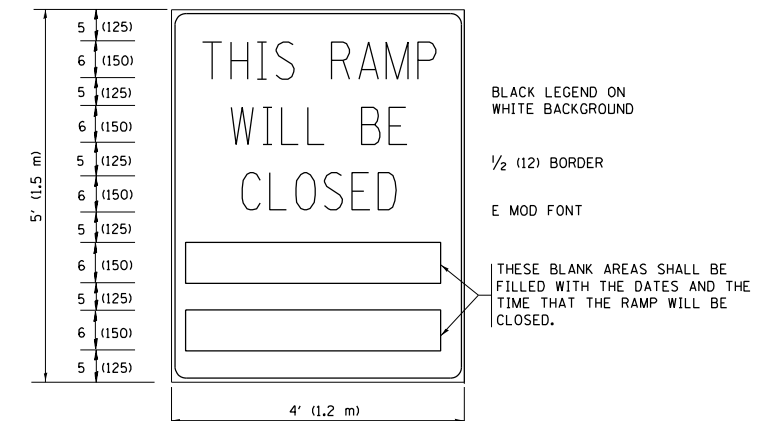
**RAMP CLOSURE ADVANCE WARNING SIGN**



BLACK LEGEND ON ORANGE BACKGROUND MOUNTED DIAGONALLY E MOD FONT 1 (25) BORDER

THESE SIGNS ARE REQUIRED ON ALL THE EXIT GUIDE SIGNS FOR EXIT RAMPS THAT WILL BE CLOSED FOR MORE THAN FOUR (4) CONSECUTIVE DAYS.

**RAMP CLOSURE ADVANCE INFORMATION SIGN**



BLACK LEGEND ON WHITE BACKGROUND 1/2 (12) BORDER E MOD FONT

THESE BLANK AREAS SHALL BE FILLED WITH THE DATES AND THE TIME THAT THE RAMP WILL BE CLOSED.

THESE SIGNS ARE REQUIRED ON BOTH SIDES OF THE RAMP, MINIMUM OF 1 WEEK IN ADVANCE OF THE CLOSURE.

THESE SIGNS SHALL BE FABRICATED AND PAID FOR ACCORDING TO THE TEMPORARY INFORMATION SIGNING SPECIAL PROVISION

**GENERAL NOTES:**

- ① CONES MAY BE SUBSTITUTED FOR DRUMS OR TYPE II BARRICADES DURING DAY OPERATIONS. CONES SHALL BE A MINIMUM OF 28 (700) HIGH.
- ② STEADY BURN LIGHTS WILL NOT BE REQUIRED FOR DAY OPERATIONS.
- ③ A FLAGGER SHALL BE POSITIONED AT EACH CLOSED RAMP THAT IS OPEN TO CONSTRUCTION VEHICLES, PRECEDED BY A W20-7 FLAGGER WARNING SIGN.
- ④ ALL ROUTE MARKERS AND TRAILBLAZER ASSEMBLIES WHICH DIRECT MOTORISTS TO A CLOSED ENTRANCE RAMP SHALL BE COVERED WHEN THE RAMP IS CLOSED FOR MORE THAN FOUR (4) DAYS.
- ⑤ THE SIGNING AND BARRICADING WHICH IS REQUIRED BY THIS DETAIL SHALL BE INCLUDED IN THE COST OF TRAFFIC CONTROL AND PROTECTION (EXPRESSWAYS).
- ⑥ AUTHORIZATION FROM THE DISTRICT'S BUREAU OF TRAFFIC IS REQUIRED FOR ALL RAMP CLOSURES.
- ⑦ THE RAMP CLOSURE ADVANCE INFORMATION SIGNS SHALL BE ERECTED IF THE CLOSURE TIME EXCEEDS TWENTY-FOUR (24) HOURS. ADDITIONAL ADVANCE WARNING SIGNS ON EXIT GUIDE SIGNING WILL BE REQUIRED FOR EXIT RAMP CLOSURES THAT EXCEED FOUR (4) DAYS IN LENGTH.
- ⑧ ROAD CONSTRUCTION AHEAD SIGNS MAY BE OMITTED WHEN THIS DETAIL IS USED IN CONJUNCTION WITH OTHER TRAFFIC CONTROL THAT ALREADY INCLUDES A ROAD CONSTRUCTION AHEAD SIGN.
- ⑨ ARTERIAL ROAD CONSTRUCTION AHEAD SIGNS SHALL BE INSTALLED ON THE LEFT SIDE OF TRAFFIC IF THE MEDIAN IS MORE THAN 10 FT WIDE.

ALL DIMENSIONS ARE IN INCHES (MILLIMETERS) UNLESS OTHERWISE SHOWN.

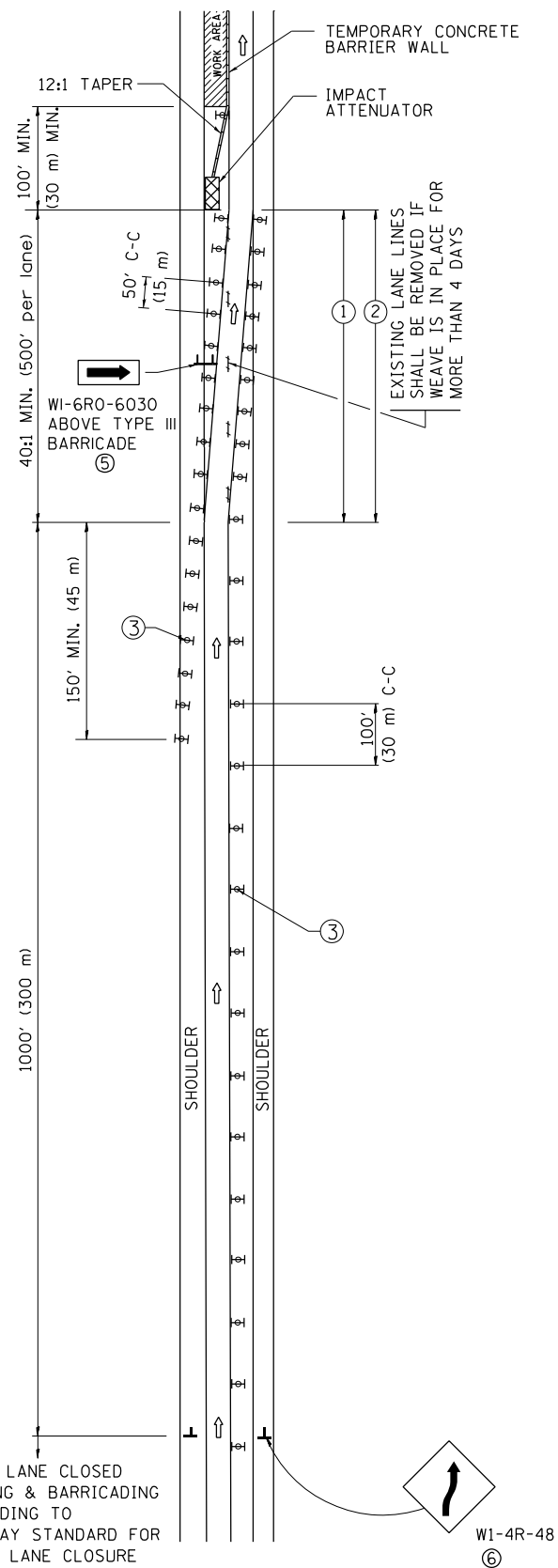
FILE NAME =	USER NAME = midyja	DESIGNED -	REVISED -
pw:\idot-pw\bentley.com\PWIDOT\Documents\DOT Offices\District 1\Projects\DI06417\CAD\Drawings\B106417-sht-plan.dgn		CHECKED -	REVISED -
		DATE -	REVISED - MD 06-13

**STATE OF ILLINOIS  
DEPARTMENT OF TRANSPORTATION**

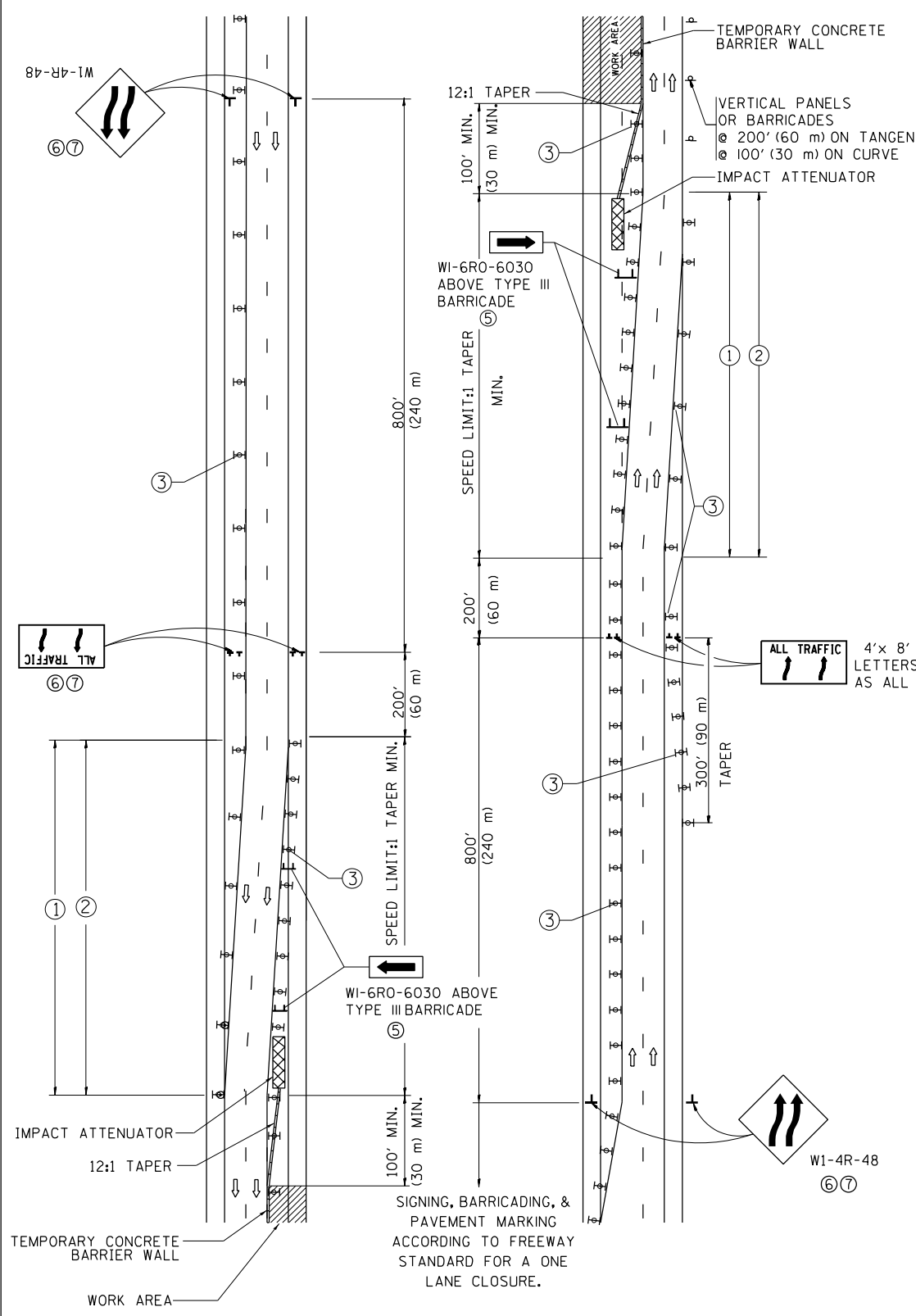
<b>ENTRANCE AND EXIT RAMP CLOSURE DETAILS</b>			
SCALE: NONE	SHEET NO. 1 OF 1 SHEETS	STA.	TO STA.

F.A. RTE.	SECTION	COUNTY	TOTAL SHEETS	SHEET NO.
VAR.	2021-111-TSR	VARIOUS	12	9
TC-08		CONTRACT NO. 62R38		
FED. ROAD DIST. NO. 1 ILLINOIS FED. AID PROJECT				

# SINGLE LANE WEAVE



# MULTI-LANE WEAVE



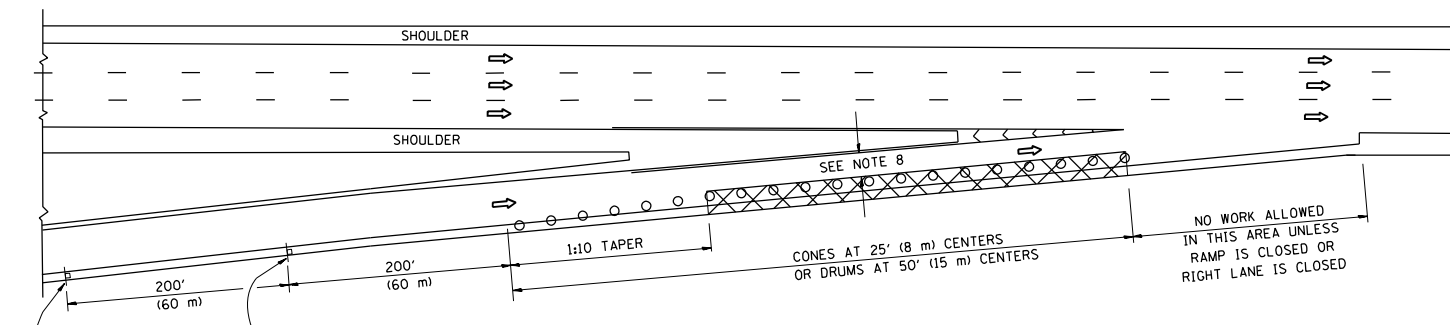
- ### GENERAL NOTES
- EXISTING CONFLICTING PAVEMENT MARKING LINES SHALL BE REMOVED. PAVEMENT MARKING REMOVAL SHALL NOT BE REQUIRED FOR SINGLE LANE WEAVES UNDER 4 DAYS IN DURATION.
  - CONTINUOUS REFLECTIVE TEMPORARY PAVEMENT MARKING TAPE SHALL BE PLACED THROUGHOUT THE TAPER AND FOR 300' (90 m) ALONG SIDE THE WORK AREA WHERE THE CLOSURE TIME IS GREATER THAN FOURTEEN DAYS. THE LEFT EDGE LINE SHALL BE YELLOW AND THE RIGHT EDGE LINE SHALL BE WHITE. FOR MULTI-LANE WEAVES LANE LINES SHALL BE 5 INCH, 10'-30' (3 m-9 m) SKIP DASH, WHITE.
  - PLASTIC DRUMS WITH STEADY BURN LIGHTS AT 50' (15 m) C-C SPACING IN TAPERS AND 100' (30 m) C-C SPACING IN TANGENTS.
  - ALL SIGNS SHALL BE POST MOUNTED IF THE CLOSURE TIME EXCEEDS FOUR DAYS.
  - TYPE III BARRICADES MAY BE OMITTED FOR SINGLE-LANE WEAVES UNDER 24-HOURS IN DURATION. W1-6 SIGNS WILL STILL BE REQUIRED. IF THE WIDTH OF OFFSET IS LESS THAN 6' THEN THE TYPE III BARRICADE WITH ATTACHED ARROW SIGN PANEL CAN BE ELIMINATED IN THE TAPER AREAS.
  - WHEN THE LENGTH OF THE SHIFTED SEGMENT (DISTANCE BETWEEN WEAVE POINTS) IS LESS THAN 1500', DOUBLE REVERSE CURVE SIGNS (W24-1) SHOULD BE USED INSTEAD OF THE REVERSE CURVE (W1-4) SIGNS. ARROWS ON THE 4'X8' "ALL TRAFFIC" SIGNS SHALL BE THE SAME SHAPE.
  - THE NUMBER OF ARROWS ON THESE SIGNS SHALL MATCH THE NUMBER OF LANES OPEN TO TRAFFIC.

- ### SYMBOLS
- DIRECTION OF TRAFFIC
  - WORK AREA
  - SIGN ON PORTABLE OR PERMANENT SUPPORT
  - TYPE II BARRICADE OR DRUM WITH MONO-DIRECTIONAL STEADY BURNING LIGHT
  - TEMPORARY CONCRETE BARRIER WALL
  - IMPACT ATTENUATOR
  - W1-4R-48
  - W24-1-48

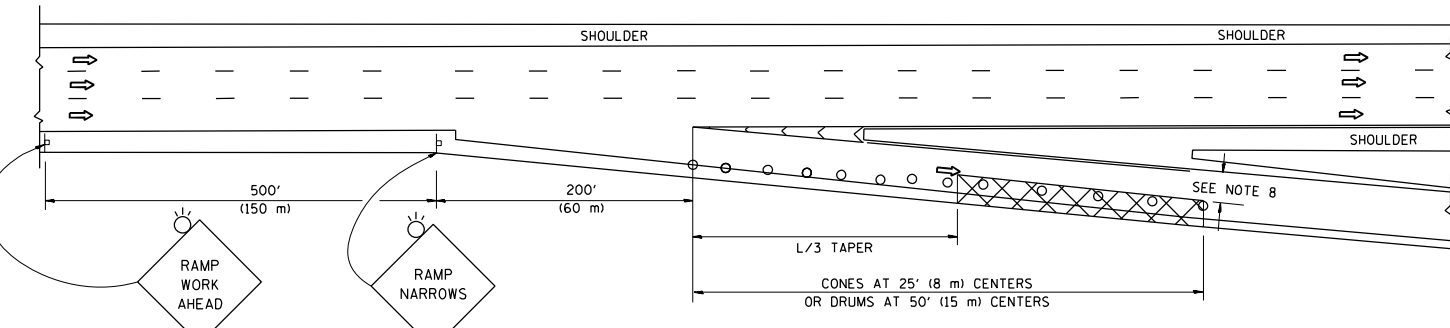
ALL DIMENSIONS ARE IN INCHES (MILLIMETERS) UNLESS OTHERWISE SHOWN

FILE NAME =	USER NAME = midyja	DESIGNED -	REVISED -	<b>STATE OF ILLINOIS DEPARTMENT OF TRANSPORTATION</b>	<b>TRAFFIC CONTROL DETAILS FOR FREEWAY SINGLE &amp; MULTI-LANE WEAVE</b>			F.A. RTE.	SECTION	COUNTY	TOTAL SHEETS	SHEET NO.
pw:\idot-pw\entley.com\PWIDOT\Documents\DOT Offices\District 1\Projects\DI06417\CAD\Drawings\0106417-sht-plan.dgn		CHECKED -	REVISED -		VAR.	2021-111-TSR	VARIOUS	12	10			
PLOT SCALE = 100.0000' / 1"		DATE -	REVISED - MD 06-13		<b>TC-09</b>			<b>CONTRACT NO. 62R38</b>				
PLOT DATE = 12/22/2021					SCALE: NONE	SHEET NO. 1 OF 1 SHEETS	STA.	TO STA.		FED. ROAD DIST. NO. 1 ILLINOIS FED. AID PROJECT		

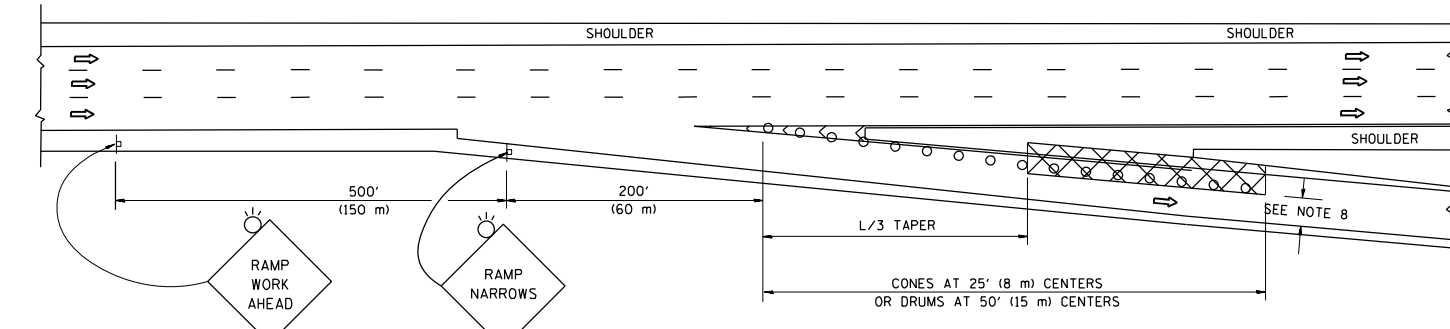
PARTIAL RAMP CLOSURE DETAILS



TYPICAL ENTRANCE RAMP



TYPICAL EXIT RAMP



TYPICAL EXIT RAMP

SYMBOLS

- ACTIVE WORK AREA
- SIGN ON PORTABLE OR PERMANENT SUPPORT
- FLAGGER WITH CONTROL SIGN
- TYPE II BARRICADE OR DRUM WITH STEADY BURN MONO-DIRECTIONAL LIGHT
- CONE, DRUM OR BARRICADE
- IMPACT ATTENUATOR OF TYPE AND TEST LEVEL SPECIFIED

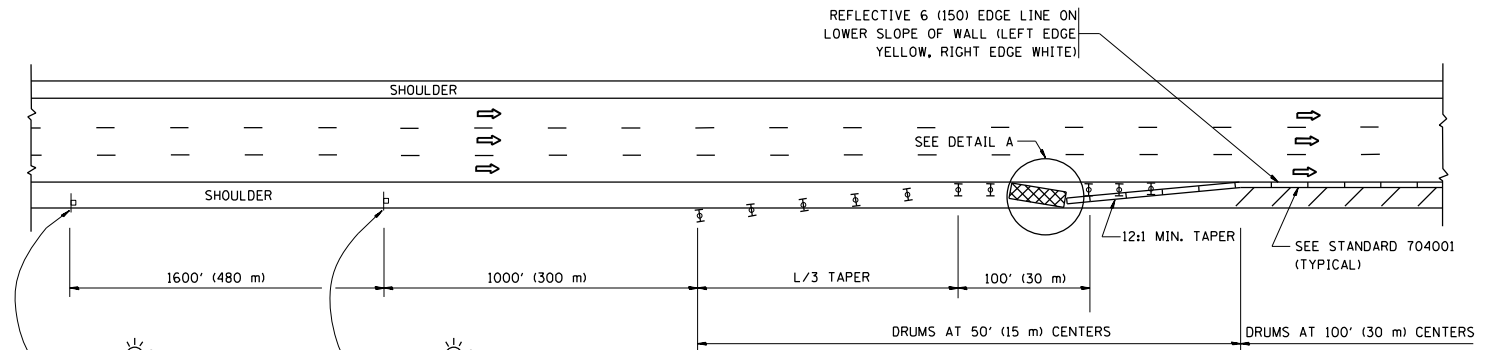
GENERAL NOTES

1. THE "L" DISTANCE EQUALS:  

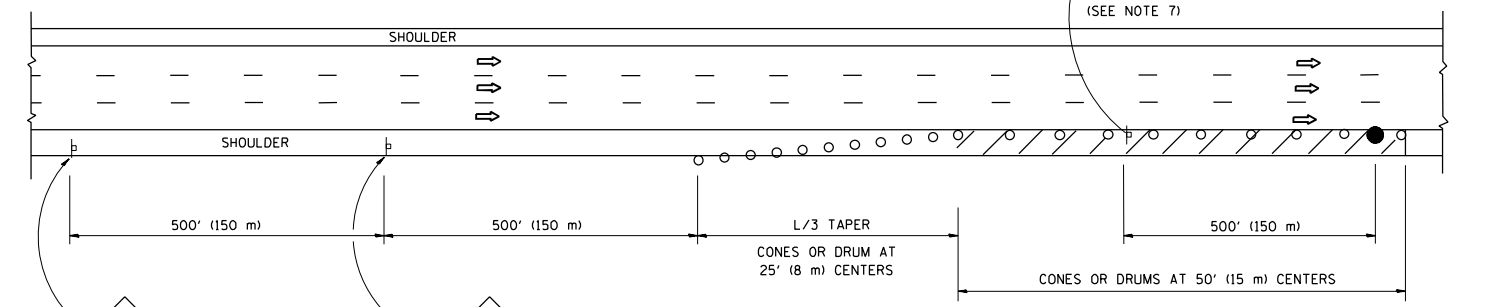
SPEED LIMIT	FORMULAS
45 mph (80 km/h)	METRIC ENGLISH
OR GREATER:	$L=0.65(W)(S)$ $L=(W)(S)$

W = WIDTH OF OFFSET IN FEET (METERS)  
 S = NORMAL POSTED SPEED MPH (KM/H)
2. PLASTIC DRUMS WITH HIGH PERFORMANCE REFLECTIVE SHEETING AND STEADY BURNING LIGHTS ARE REQUIRED FOR ALL NIGHTIME CLOSURES.
3. ALL SIGNS SHALL BE POST MOUNTED IF THE CLOSURE TIME EXCEEDS FOUR DAYS.
4. FLASHING LIGHTS SHALL BE USED DURING THE HOURS OF DARKNESS AND SHALL BE INSTALLED ABOVE THE FIRST TWO SETS OF SIGNS.

SHOULDER CLOSURE DETAILS

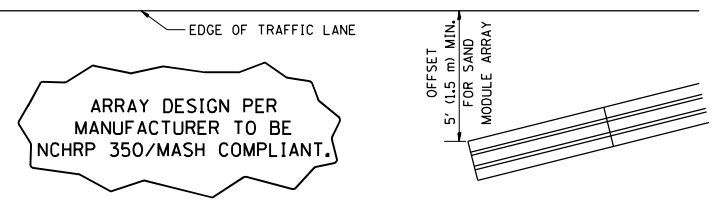


PERMANENT SHOULDER CLOSURE



DAYTIME SHOULDER CLOSURE

THIS DETAIL IS USED WHERE:  
 1. VEHICLES, EQUIPMENT, WORKERS OR THEIR ACTIVITIES ENCRANCH IN AN AREA CLOSER THAN 15' (4.5 m) TO THE EDGE OF PAVEMENT FOR A PERIOD IN EXCESS OF 15 MINUTES.



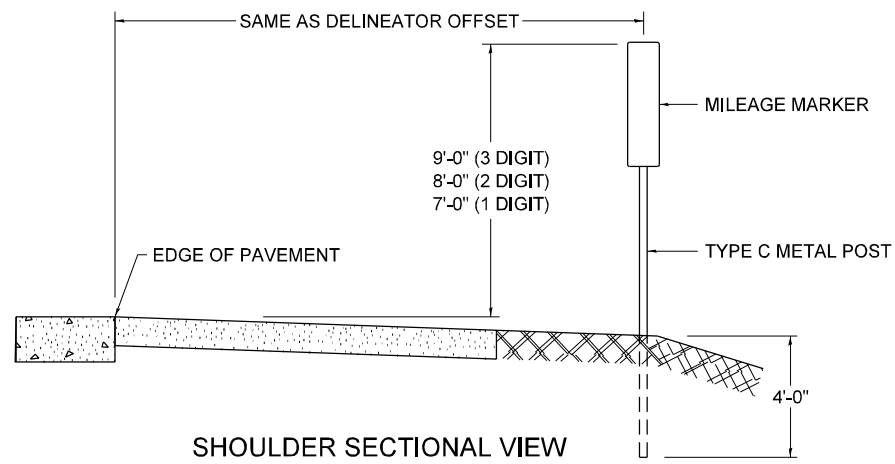
DETAIL "A"  
 IMPACT ATTENUATOR, TEMPORARY  
 (SEE NOTE 5)

5. THE IMPACT ATTENUATOR, TEMPORARY IS NOT REQUIRED WHEN THE TEMPORARY CONCRETE BARRIER WALL IS PROTECTED BY OR IS TIED INTO THE EXISTING GUARDRAIL. IF OFFSET IS LESS THAN 5 FEET USE NARROW USE TYPE DEVICE TO MEET NCHRP350/MASH.
6. AUTHORIZATION FROM THE DISTRICT'S BUREAU OF TRAFFIC IS REQUIRED FOR ALL FREEWAY CLOSURES.
7. THE FLAGGER AND FLAGGER SIGN ARE REQUIRED AT THE ABOVE WORK SITES WHEN:
  - a. FOUR OR MORE WORK VEHICLES ENTER THE TRAFFIC LANES IN A ONE HOUR PERIOD.
  - b. THE WORK AVTIVITY REQUIRES FREQUENT ENCRACHMENT INTO THE LANE OPEN TO TRAFFIC.
 THE FLAGGER SHALL BE STATIONED APPROXIMATELY 100' (30 m) TO 200' (60 m) IN ADVANCE OF THE WORKERS.
8. 12' MIN. WIDTH TANGENT SECTION  
 16' MIN. WIDTH CURVE SECTION.

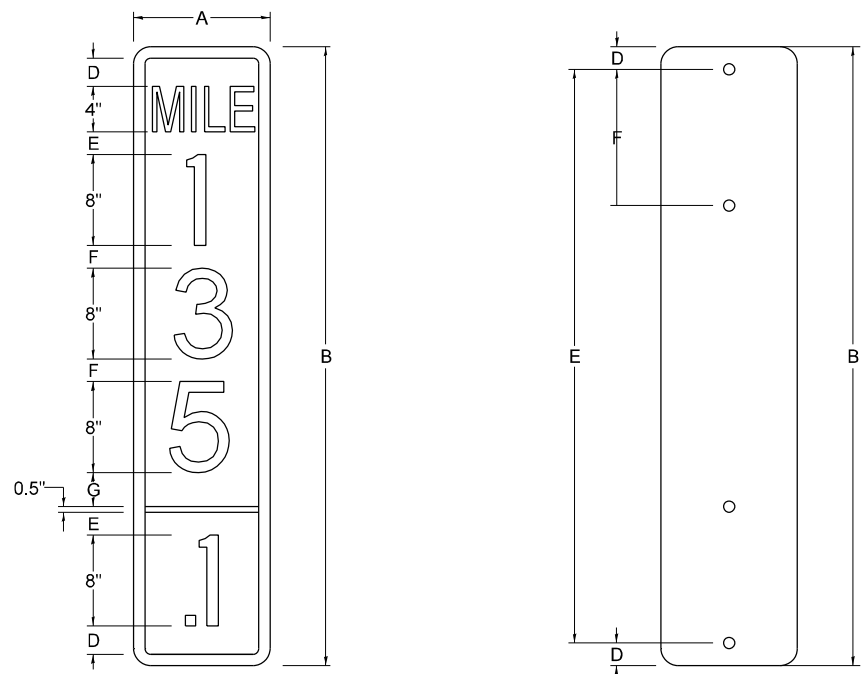
ALL DIMENSIONS ARE IN INCHES (MILLIMETERS) UNLESS OTHERWISE SHOWN.

FILE NAME =	USER NAME = midyja	DESIGNED -	REVISED - -	<b>STATE OF ILLINOIS DEPARTMENT OF TRANSPORTATION</b>	<b>TRAFFIC CONTROL DETAILS FOR FREEWAY SHOULDER CLOSURES AND PARTIAL RAMP CLOSURES</b>			F.A. RTE.	SECTION	COUNTY	TOTAL SHEETS	SHEET NO.
pw:\idot-pw\bentley.com\PIWIDOT\Documents\IDOT Offices\District 1\Projects\DI06417\CAD\DRAWING\0106417-sht-plan.dgn		CHECKED -	REVISED - -		VAR.	2021-111-TSR	VARIOUS	12	11			
PLOT SCALE = 100.0000' / in.		DATE -	REVISED - -		<b>TC-17</b>			<b>CONTRACT NO. 62R38</b>				
PLOT DATE = 12/22/2021		DATE -	REVISED - M.D. 06-13		SCALE: NONE	SHEET NO. 1 OF 1 SHEETS	STA. TO STA.	FED. ROAD DIST. NO. 1 ILLINOIS FED. AID PROJECT				

### STANDARD DESIGN FOR MILE POST



SHOULDER SECTIONAL VIEW

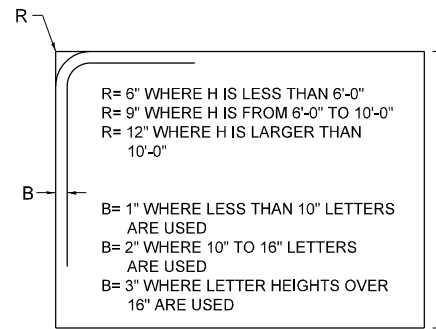


SIGN SIZE	DIMENSIONS							
	A	B	C	D	E	F	G	DIGIT
12 x 24	12.0	24.0	1.5	1.5	1.5	N/A	1.5	1
12 x 36	12.0	36.0	1.5	2.0	2.0	2.0	1.5	2
12 x 48	12.0	48.0	1.5	2.5	2.0	2.0	2.5	3

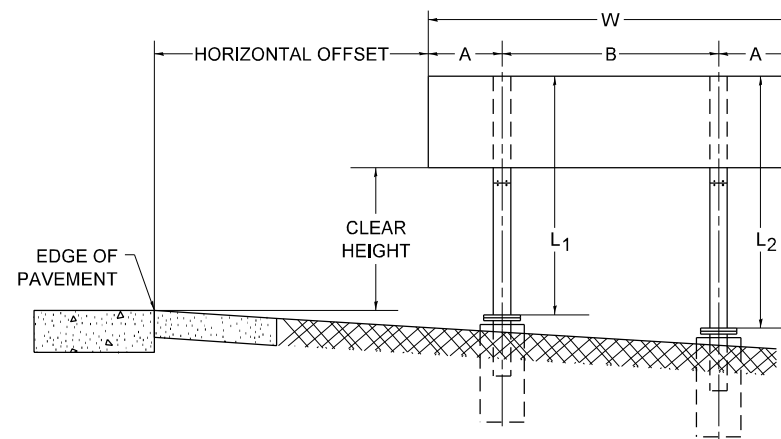
BLANK	A	B	C	D	E	F
B9-1224	12.0	24.0	1.5	2.0	20.0	N/A
B9-1236	12.0	36.0	1.5	2.0	32.0	12.0
B9-1248	12.0	48.0	1.5	2.0	44.0	12.0

SIGN SIZE	SERIES					BLANK STD.	
	LINES						
	1	2	3	4	5	BORDER	
12 x 24	4C	8D	4C	N/A	N/A	0.5	B9-1224
12 x 36	4C	8D	8D	4C	N/A	0.5	B9-1236
12 x 48	4C	8D	8D	8D	4C	0.5	B9-1248

### BORDER AND RADIUS LAYOUT



### MAJOR GUIDE SIGN LAYOUT

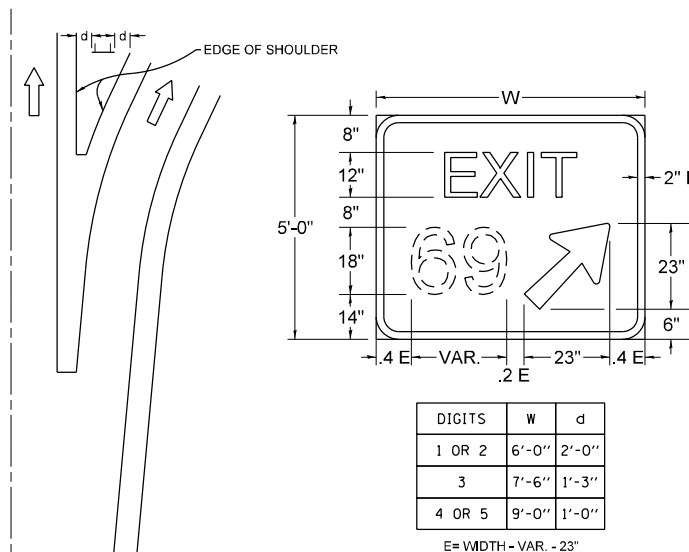


NUMBER OF STEEL SUPPORTS	A	B
2	.2 W	.6 W
3	.15 W	.35 W
4	.125 W	.25 W
5	.1 W	.2 W

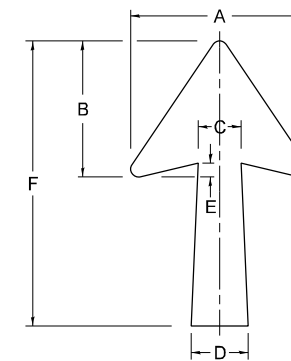
"L1 IS THE LENGTH OF SUPPORT, NOT INCLUDING THE STUB PROJECTION, CLOSEST TO THE EDGE OF THE PAVEMENT."

"A" IS THE DISTANCE FROM THE SIGN EDGE TO THE CENTERLINE OF THE NEAREST SUPPORT. "B" IS THE DISTANCE BETWEEN CENTERLINES OF SUPPORTS.

### GORE SIGNS

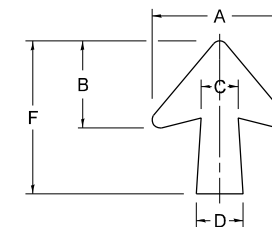


### STANDARD ARROWS FOR INTERSTATE GUIDE SIGNS



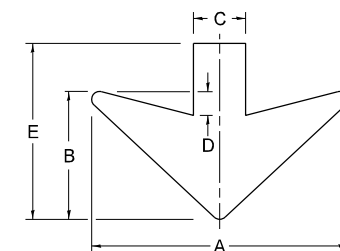
ARROW SYMBOL	A	B	C	D	E	F	R
24 1/4 x 15 1/8	15 1/8	11 1/8	3 3/4	5	1 1/2	24 1/4	1/8
29 1/4 x 18 1/4	18 1/4	14	4 1/2	6	1 1/2	29 1/4	3/4
35 1/8 x 22 1/4	22 1/4	17	5 3/8	7 1/8	1 3/4	35 1/8	1
18 1/4 x 11 1/4	11 1/4	8 3/4	3 1/8	3 3/8		18 1/4	

NOTE: D & F ARE RECOMMENDED DIMENSIONS. TAPER SHOULD BE HELD CONSTANT FOR LONGER OR SHORTER SHAFT LENGTHS



ARROW SYMBOL	A	B	C	D	E	F	R
17 1/4 x 14 1/4	14 1/4	9 3/8	3 3/8	4 1/2	1 1/2	17 1/4	3/4
20 1/4 x 17 1/4	17 1/4	11 3/4	4 3/8	5 3/8	1 1/2	20 1/4	
25 x 21 1/8	21 1/8	14 1/4	5	6 3/4	1 3/4	25	1
9 5/8 x 8 1/8	8 1/8	5 1/8	2 3/8	2 1/2		9 5/8	1/2

### DOWN ARROWS



ARROW SYMBOL	A	B	C	D	E	R
16 1/2 x 24	24	12	5	1 1/2	16 1/2	3/4
22 x 32	32	16	6 1/2	3	22	1

FILE NAME = D:\06417-sht-plen.dgn

USER NAME = miduja  
 PLOT SCALE = 100.0000' / 1" / 1" / 1"  
 PLOT DATE = 12/22/2021

DESIGNED -  
 DRAWN -  
 CHECKED -  
 DATE -

REVISED - 02-04-2009  
 REVISED -  
 REVISED -  
 REVISED -

STATE OF ILLINOIS  
 DEPARTMENT OF TRANSPORTATION

MILE POST MARKERS - GORE SIGNS  
 MAJOR GUIDE SIGN LAYOUT - ARROWS  
 SCALE: NONE SHEET NO. 1 OF 1 SHEETS STA. TO STA.

F.A. RTE. SECTION COUNTY TOTAL SHEETS SHEET NO.  
 VAR. 2021-111-TSR VARIOUS 12 12  
**TC-27 (TS-2341-1)** CONTRACT NO. 62R38  
 FED. ROAD DIST. NO. 1 ILLINOIS FED. AID PROJECT