

STATE OF ILLINOIS
DEPARTMENT OF TRANSPORTATION

F.A.P. RTE.	SECTION	COUNTY	TOTAL SHEETS	SHEET NO.
322	(43, 44) CJS	CHRISTIAN	16	1
		ILLINOIS	CONTRACT NO. 72M35	

- INDEX OF SHEETS**
- 1 COVER SHEET
 - 2 GENERAL NOTES
 - 3 SUMMARY OF QUANTITIES
 - 4 SCHEDULE OF QUANTITIES
 - 5-7 TYPICAL SECTIONS
 - 8-16 PLAN SHEETS

- STANDARDS**
- 000001-08
 - 001006
 - 701426-09
 - 701901-08

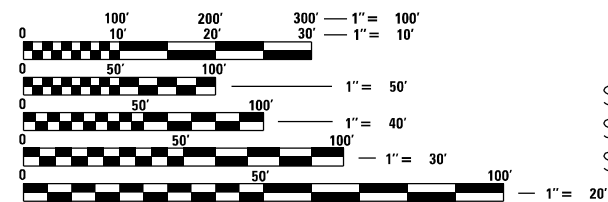
PROPOSED HIGHWAY PLANS

FAP 322 (US 51)
SECTION (43,44) CJS
PROJECT NHPP-MICR(204)
CRACK AND JOINT SEAL
CHRISTIAN COUNTY

C-96-135-20

HIGHWAY CLASSIFICATION

F.A.P ROUTE 322 (US-51)
ADT: 3,900 (2017)
POSTED SPEED: 55
CLASSIFICATION: OTHER PRINCIPAL ARTERIAL

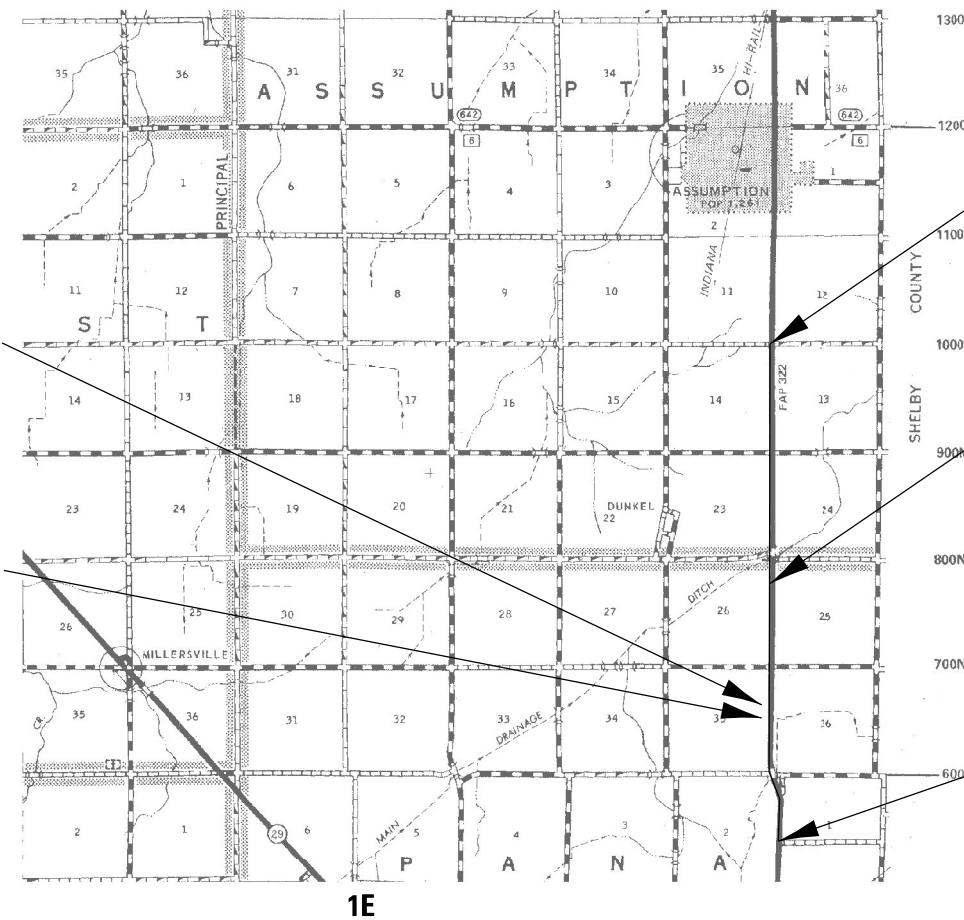


FULL SIZE PLANS HAVE BEEN PREPARED USING STANDARD ENGINEERING SCALES, REDUCED SIZED PLANS WILL NOT CONFORM TO STANDARD SCALES. IN MAKING MEASUREMENTS ON REDUCED PLANS, THE ABOVE SCALES MAY BE USED.

J.U.L.I.E.
JOINT UTILITY LOCATION INFORMATION FOR EXCAVATORS
1-800-892-0123
OR 811

PROJECT ENGINEER: JAY EDWARDS (217) 785-0597
PROJECT MANAGER: JONATHAN COX (217) 782-1378

CONTRACT NO. 72M35



STATION EQUATION
STA. 402+36.94 BK =
STA. 100+00.00 AH

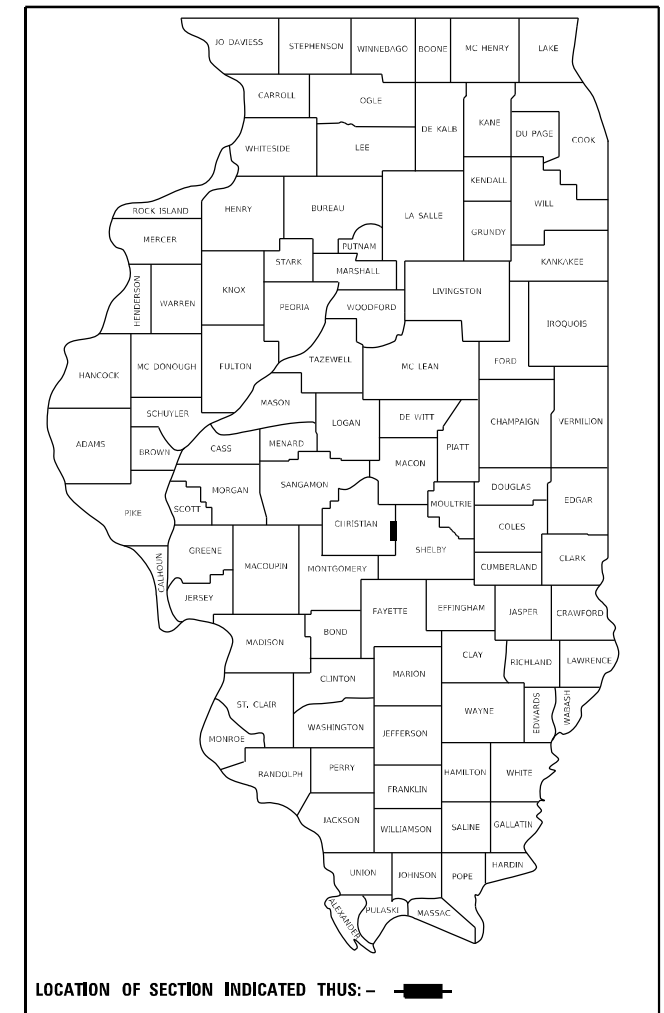
STATION EQUATION
STA. 101+20.13 BK =
STA. 403+28.42 AH

PROJECT ENDS
STA. 567+64.58

BRIDGE OMISSION
469+11.12 TO 471+27.22
S.N. 011-0037 (SB)
S.N. 011-0038 (NB)

PROJECT BEGINS
STA. 328+42.85

D-96-105-20



LOCATION OF SECTION INDICATED THIS: - [thick black line] -

STATE OF ILLINOIS
DEPARTMENT OF TRANSPORTATION

SUBMITTED December 16, 2021
Jay P. Myers REGIONAL ENGINEER
February 4, 2022
Stephen M. Fair ENGINEER OF DESIGN AND ENVIRONMENT
February 4, 2022
Stephen M. Fair DIRECTOR OF HIGHWAYS PROJECT IMPLEMENTATION 2

PRINTED BY THE AUTHORITY
OF THE STATE OF ILLINOIS

GROSS LENGTH = 23,921.73 FT. = 4.53 MILE
NET LENGTH = 23,705.63 FT. = 4.48 MILE

GENERAL NOTES

NONE

THE CONTRACTOR SHALL MAKE EVERY EFFORT TO AVOID DAMAGE OR COVERAGE OF THE EXISTING PAVEMENT MARKINGS WITH CRACK SEALANT. THE CONTRACTOR SHALL NOTIFY THE ENGINEER OF ANY ANTICIPATED PAVEMENT MARKING CONFLICTS AND ANY DAMAGE SHOULD BE DOCUMENTED. EXCESS SEALANT SHOULD NOT BE SQUEEGED OUT OVER EXISTING PAVEMENT MARKINGS. THE ENGINEER SHOULD DOCUMENT AND CONFLICTS OR DAMAGE. THE ENGINEER SHOULD CONTACT THE DISTRICT 6 TRAFFIC OPERATIONS ENGINEER AT (217)785-5306 IF MORE THAN 25% OF THE EXISTING PAVEMENT MARKINGS ARE DAMAGED OR COVERED BY SEALANT.

COMMITMENTS

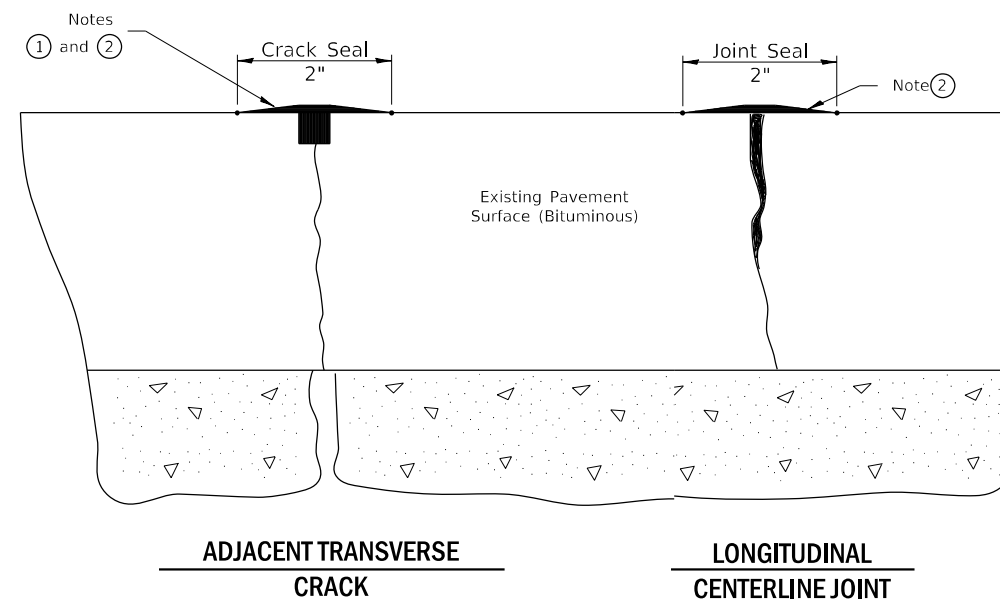
NONE

THE FOLLOWING RATES OF APPLICATION HAVE BEEN USED TO CALCULATE THE PLAN QUANTITIES:

CRACK FILLING (NON-ROUTED CRACKS)	0.18 POUND/LIN. FT.
CRACK FILLING (ROUTED CRACKS)	0.35 POUND/LIN. FT.

STATE OF ILLINOIS DEPARTMENT OF TRANSPORTATION DIVISION OF HIGHWAYS DISTRICT 6	
EXAMINED	December 6, 2021
	<i>[Signature]</i> ENGINEER OF OPERATIONS
EXAMINED	November 29, 2021
	<i>[Signature]</i> ENGINEER OF PROJECT IMPLEMENTATION
EXAMINED	November 24, 2021
	<i>[Signature]</i> ENGINEER OF PROGRAM DEVELOPMENT

JOINT/CRACK SEAL DETAIL



NOTES

- ① Route or saw to 3/4" wide by 3/4" deep; (1:1 ratio).
- ② Overfill with sealant; squeegee to provide 2" wide flush "band-aid" effect; feather edges flush.

CRACK OR JOINT SEAL IN AREAS ADJACENT TO EXISTING PAVEMENT MARKINGS SHALL BE REDUCED OR ELIMINATED AS DIRECTED BY THE ENGINEER.

MODEL: Default
 FILE: 72M35_72M35_CADDData\CAD\Drawings\72M35-Sht-Gen-note.dwg
 PROJECT: 72M35_CADDData\Drawings\72M35-Sht-Gen-note.dwg
 PLOT DATE: 12/8/2021

USER NAME = rowdena	DESIGNED - _____	REVISED - _____
PLOT SCALE = 100,0000' / in.	DRAWN - _____	REVISED - _____
PLOT DATE = 12/8/2021	CHECKED - _____	REVISED - _____
	DATE - _____	REVISED - _____

**STATE OF ILLINOIS
DEPARTMENT OF TRANSPORTATION**

GENERAL NOTES & DETAILS

SCALE: N/A SHEET 1 OF 1 SHEETS STA. N/A TO STA. N/A

F.A.P. RTE.	SECTION	COUNTY	TOTAL SHEETS	SHEET NO.
322	(43,44)CJS	CHRISTIAN	16	2
			CONTRACT NO. 72M35	
		ILLINOIS FED. AID PROJECT		

PPS# 6-01437-0000

80% FED
20% STATE
RURAL

ROADWAY

0005

CHRISTIAN CO.

CODE NO.	ITEM	UNIT	TOTAL QUANTITY	
45100200	CRACK FILLING	POUND	9431	9431
67100100	MOBILIZATION	L SUM	1	1
70107025	CHANGEABLE MESSAGE SIGN	CAL DA	15	15
X7010216	TRAFFIC CONTROL AND PROTECTION, (SPECIAL)	L SUM	1	1

REV. - MS

Model: Default
File: M:\GIS\Projects\72M35\CADD\Drawings\CADD\Drawings\72M35-PLN-500.dgn

USER NAME = rowdenna	DESIGNED - _____	REVISED - _____
	DRAWN - _____	REVISED - _____
PLOT SCALE = 100.0000' / in.	CHECKED - _____	REVISED - _____
PLOT DATE = 12/8/2021	DATE - _____	REVISED - _____

**STATE OF ILLINOIS
DEPARTMENT OF TRANSPORTATION**

SUMMARY OF QUANTITIES

SCALE: _____ SHEET ___ OF ___ SHEETS STA. _____ TO STA. _____

F.A.P. RTE.	SECTION	COUNTY	TOTAL SHEETS	SHEET NO.
322	(43, 44) CJS	CHRISTIAN	16	3
			CONTRACT NO. 72M35	
ILLINOIS FED. AID PROJECT				

LONGITUDINAL JOINT SEALING SCHEDULE (45100200)									
Alignment	Start Station	End Station	Gross Length	Omissions	Net Length	Joints	Lin ft	CRACK FILLING	
								POUND	
US 51 SB	331+00.	354+00.	2300		2300	1	2300	414.0	
US 51 SB	336+62.5	340+60.7	398.24		398.24	1	398.24	71.7	
US 51 SB	340+00.	415+07.	7507		7507	1	7507	1351.3	
US 51 SB	415+07.	451+00.	3593		3593	1	3593	646.7	
US 51 SB	451+00.	467+00.	1600		1600	1	1600	288.0	
US 51 SB	467+00.	469+11.1	211.12		211.12	1	211.12	38.0	
US 51 SB	469+11.1	471+27.2	216.1	216.1	216.1		216.1		
US 51 SB	471+27.2	521+63.4	5036.2		5036.2	1	5036.2	906.5	
US 51 SB	547+10.	573+91.	2680.95		2680.95	1	2680.95	482.6	
US 51 NB	328+42.9	361+00.	3257.15		3257.15	1	3257.15	586.3	
US 51 NB	361+00.	415+07.	5407		5407	1	5407	973.3	
US 51 NB	415+07.	467+00.	5193		5193	1	5193	934.7	
US 51 NB	467+00.	469+11.1	211.12		211.12	1	211.12	38.0	
US 51 NB	469+11.1	471+27.2	216.1	216.1	216.1		216.1		
US 51 NB	471+27.2	521+63.4	5036.2		5036.2	1	5036.2	906.5	
US 51 NB	521+63.4	547+10.	2546.6		2546.6	1	2546.6	458.4	
US 51 NB	547+10.	567+64.6	2054.58		2054.58	1	2054.58	369.8	
NB RT	357+07.2	359+85.3	278.12		278.12	1	278.12	50.1	
NB LT	357+24.5	360+54.5	330		330	1	330	59.4	
NB RT	411+25.5	414+05.5	280		280	1	280	50.4	
NB LT	411+08.3	414+38.3	330		330	1	330	59.4	
NB LT	463+24.5	466+54.5	330		330	1	330	59.4	
NB RT	463+39.5	466+19.5	280		280	1	280	50.4	
NB LT	517+75.6	521+05.6	330		330	1	330	59.4	
NB RT	517+92.7	520+72.7	280.0		280.0	1	280	50.4	
NB LT	543+25.	546+55.	330.0		330.0	1	330	59.4	
SB RT	362+12.5	365+72.5	360.0		360.0	1	360	64.8	
SB LT	361+68.3	365+53.3	385.0		385.0	1	385	69.3	
SB RT	415+81.9	418+61.9	280.0		280.0	1	280	50.4	
SB LT	415+50.2	418+80.2	330.0		330.0	1	330	59.4	
SB RT	467+99.5	470+99.5	300.0		300.0	1	300	54.0	
SB LT	467+64.5	470+94.5	330.0		330.0	1	330	59.4	
SB RT	522+50.	525+30.	280.0		280.0	1	280	50.4	
SB LT	522+17.	525+47.	330.0		330.0	1	330	59.4	
			51587.5				TOTAL	9431	Pound

*Comp assumes 0.18 Pounds/Linear Feet of Crack Filling

OTHER ITEMS			
	67100100	70107025	X7010216
	MOBILIZATION	CHANGEABLE MESSAGE SIGN	TRAFFIC CONTROL AND PROTECTION
LOCATION	L SUM	CAL DA	L SUM
JOBSITE	1	15	1
TOTAL	1	15	1

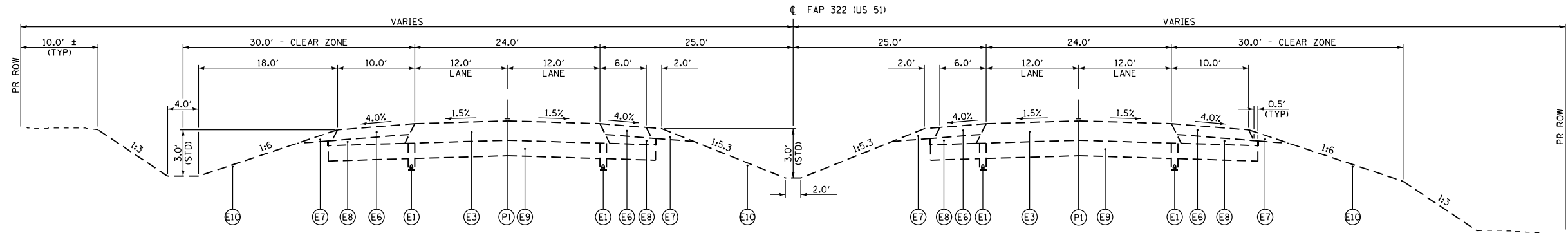
MODEL: Default
 FILE: \\nafile.pw.bentley.com\FW\DOT\Documents\DOT Office\Dir\dir: E:\Project\0672M35\CAD\Drawings\0672M35-shr-schedule.dgn

USER NAME = rowdenna	DESIGNED - _____	REVISED - _____
	DRAWN - _____	REVISED - _____
PLOT SCALE = 100,0000' / in.	CHECKED - _____	REVISED - _____
PLOT DATE = 12/8/2021	DATE - _____	REVISED - _____

**STATE OF ILLINOIS
DEPARTMENT OF TRANSPORTATION**

SCALE: _____		SHEET 1 OF 1 SHEETS		STA. _____ TO STA. _____	
		SCHEDULE OF QUANTITIES			

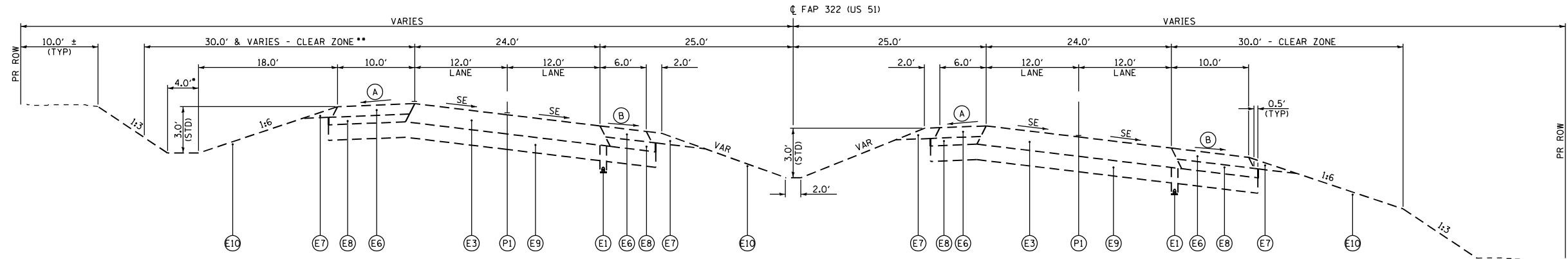
F.A.I. RTE.	SECTION	COUNTY	TOTAL SHEETS	SHEET NO.
322	(43, 44)CJS	CHRISTIAN	16	4
CONTRACT NO. 72M35				
ILLINOIS FED. AID PROJECT				



FAP 322 (US 51) TYPICAL SECTION

STA 331+00.00 TO STA 342+99.00 SB LANES
 STA 340+50.00 TO STA 342+99.00 NB LANES
 STA 358+99.00 TO STA 360+61.00 NB & SB LANES
 STA 372+85.00 TO STA 469+28.72 NB & SB LANES (SEE STATION EQUATIONS)
 STA 469+28.72 TO STA 471+11.30 NB & SB LANES (BRIDGE OMISSION)
 STA 471+11.30 TO STA 555+00.00 NB & SB LANES
 STA 555+00.00 TO STA 564+66.00 SB LANES

STATION EQUATION:
 STA 402+36.99 BK =
 STA 100+00.00 AH
 STATION EQUATION:
 STA 101+20.13 BK =
 STA 403+28.42 AH



FAP 322 (US 51) TYPICAL SUPERELEVATED SECTION

STA 342+99.00 TO STA 345+77.00 SE ATTAINED NB & SB LANES
 STA 345+77.00 TO STA 348+00.00 SE = 5.3% NB & SB LANES
 STA 348+00.00 TO STA 356+21.00 SE = 5.3% NB & SB LANES
 STA 356+21.00 TO STA 358+99.00 SE REMOVED NB & SB LANES
 STA 360+61.00 TO STA 363+66.00 SE ATTAINED NB & SB LANES
 STA 363+66.00 TO STA 369+80.00 SE = 5.3% NB & SB LANES
 STA 369+80.00 TO STA 372+85.00 SE REMOVED NB & SB LANES

LEGEND

- (E1) EXISTING PIPE UNDERDRAIN
- (E2) EXISTING FD HOT-MIX ASPHALT PAVEMENT, 13 3/4"
- (E3) EXISTING SHOT-MIX ASPHALT PAVEMENT (FULL-DEPTH), 13 3/4"
- (E4) EXISTING HOT-MIX ASPHALT PAVEMENT (FULL-DEPTH), 9 1/4"
[SEE MIXTURE REQUIREMENTS AND PAVING LIFT DIAGRAMS ON SHEET 3 FOR THE PAVEMENT COMPOSITION]
- (E5) EXISTING HOT-MIX ASPHALT SHOULDERS 8"
- (E6) EXISTING HOT-MIX ASPHALT SHOULDERS 8" (WITH RUMBLE STRIPS, STD 642001)
- (E7) EXISTING AGGREGATE SHOULDERS, TYPE B
- (E8) EXISTING SUB-BASE GRANULAR MATERIAL, TYPE C
- (E9) EXISTING PROCESSING MODIFIED SOIL 12" (LIME)
- (E10) EXISTING TOPSOIL, 4"
- (E11) EXISTING AGGREGATE BASE COURSE, TYPE A, 10"
- (E12) EXISTING BITUMINOUS SURFACE TREATMENT CLASS A-3
- (E13) EXISTING POLYMERIZED HOT-MIX ASPHALT SURFACE COURSE, MIX "D", N70, 2"
- (E14) EXISTING HOT-MIX ASPHALT BASE COURSE, 10" (ANY WIDTH)
- (E15) EXISTING HOT-MIX ASPHALT BASE COURSE, 9 1/2" (ANY WIDTH)
- (E16) EXISTING HOT-MIX ASPHALT SURFACE REMOVAL, 2"
- (E17) EXISTING HOT-MIX ASPHALT SURFACE COURSE, MIX "C", N70, 2"
- (E18) EXISTING HOT-MIX ASPHALT BASE COURSE, 8 1/2" (ANY WIDTH)
- (E19) EXISTING SUBBASE GRANULAR MATERIAL, TYPE A 8"
- (E20) EXISTING POLYMERIZED HOT-MIX ASPHALT SURFACE COURSE, MIX "C", N70, 2 1/4"
- (E21) EXISTING LEVELING BINDER (MACHINE METHOD), N70, VARIABLE DEPTH (2 1/4" MAX) HOT-MIX ASPHALT BINDER COURSE, IL-19.0, N70, VARIABLE DEPTH (2 1/4" MIN)
- (E22) SUBBASE GRANULAR MATERIAL, TYPE A 12"
- (E1) PROPOSED CRACK SEAL

NOT TO SCALE

MODEL: Default
 FILE: \\mdepc-proj\ultra-cad\benefit.com\PIV\DOT\Documents\DOT Office\Dir\dir: E:\Project\10672735\CAD\DATA\CAD\PROJECTS\10672735-SHT-1\sheet.dgn

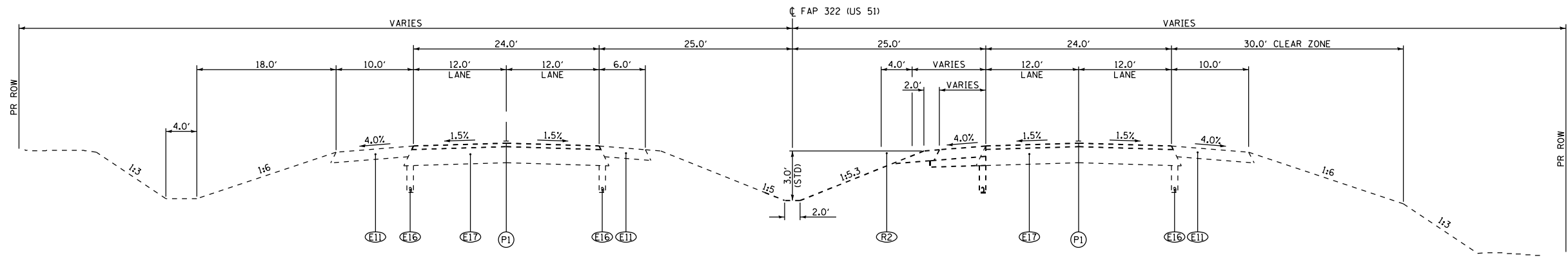
USER NAME = rowdenna	DESIGNED - _____	REVISED - _____
DRAWN - _____	REVISED - _____	
PLOT SCALE = 120,0000' / in.	CHECKED - _____	REVISED - _____
PLOT DATE = 12/8/2021	DATE - _____	REVISED - _____

STATE OF ILLINOIS
DEPARTMENT OF TRANSPORTATION

TYPICAL SECTIONS

SCALE: _____ SHEET _____ OF _____ SHEETS STA. _____ TO STA. _____

F.A.P. RTE. 322	SECTION (43, 44) CJS	COUNTY CHRISTIAN	TOTAL SHEETS 16	SHEET NO. 5
CONTRACT NO. 72M35				
ILLINOIS FED. AID PROJECT				



FAP 322 (US 51) TYPICAL SECTION

STA 555+00.00 TO STA 560+25.22 NB LANES (W/O MEDIAN SHOULDER)
 STA 560+25.22 TO STA 567+63.00 NB LANES (W/ MEDIAN SHOULDER)
 STA 564+66.00 TO STA 569+00.18 SB LANES (W/O MEDIAN SHOULDER)
 STA 569+00.18 TO STA 572+75.00 SB LANES (W/ MEDIAN SHOULDER)
 STA 572+75.00 TO STA 573+90.00 SB LANES (W/O MEDIAN SHOULDER)

LEGEND			
(E1)	EXISTING PIPE UNDERDRAIN	(E11)	EXISTING AGGREGATE BASE COURSE, TYPE A, 10"
(E2)	EXISTING FD HOT-MIX ASPHALT PAVEMENT, 13 3/4"	(E12)	EXISTING BITUMINOUS SURFACE TREATMENT CLASS A-3
(E3)	EXISTING SHOT-MIX ASPHALT PAVEMENT (FULL-DEPTH), 13 3/4"	(E13)	EXISTING POLYMERIZED HOT-MIX ASPHALT SURFACE COURSE, MIX "D", N70, 2"
(E4)	EXISTING HOT-MIX ASPHALT PAVEMENT (FULL-DEPTH), 9 1/4" [SEE MIXTURE REQUIREMENTS AND PAVING LIFT DIAGRAMS ON SHEET 3 FOR THE PAVEMENT COMPOSITION]	(E14)	EXISTING HOT-MIX ASPHALT BASE COURSE, 10" (ANY WIDTH)
(E5)	EXISTING HOT-MIX ASPHALT SHOULDERS 8"	(E15)	EXISTING HOT-MIX ASPHALT BASE COURSE, 9 1/2" (ANY WIDTH)
(E6)	EXISTING HOT-MIX ASPHALT SHOULDERS 8" (WITH RUMBLE STRIPS, STD 642001)	(E16)	EXISTING HOT-MIX ASPHALT SURFACE REMOVAL, 2"
(E7)	EXISTING AGGREGATE SHOULDERS, TYPE B	(E17)	EXISTING HOT-MIX ASPHALT SURFACE COURSE, MIX "C", N70, 2"
(E8)	EXISTING SUB-BASE GRANULAR MATERIAL, TYPE C	(E18)	EXISTING HOT-MIX ASPHALT BASE COURSE, 8 1/2" (ANY WIDTH)
(E9)	EXISTING PROCESSING MODIFIED SOIL 12" (LIME)	(E19)	EXISTING SUBBASE GRANULAR MATERIAL, TYPE A 8"
(E10)	EXISTING TOPSOIL, 4"	(E20)	EXISTING POLYMERIZED HOT-MIX ASPHALT SURFACE COURSE, MIX "C", N70, 2 1/4"
		(E21)	EXISTING LEVELING BINDER (MACHINE METHOD), N70, VARIABLE DEPTH (2 1/4" MAX) HOT-MIX ASPHALT BINDER COURSE, IL-19.0, N70, VARIABLE DEPTH (2 1/4" MIN)
		(E22)	SUBBASE GRANULAR MATERIAL, TYPE A 12"
		(P1)	PROPOSED CRACK SEAL

NOT TO SCALE

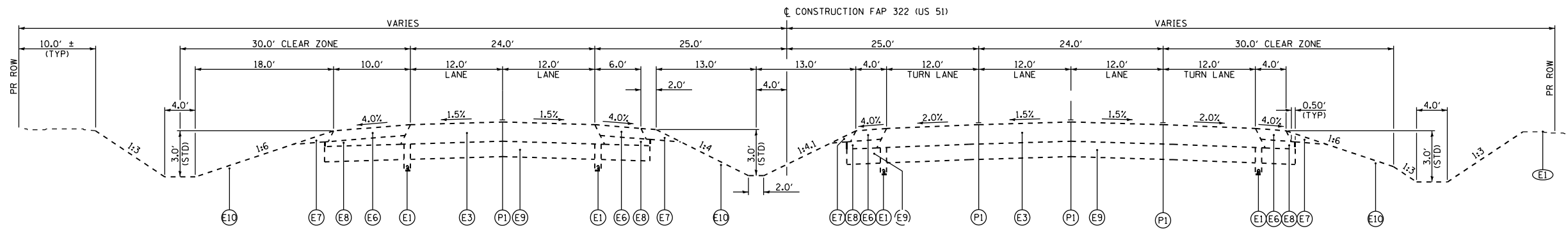
MODEL: Default
 FILE: 322typical.dwg
 PROJECT: I:\DOT\Documents\DOT Office\322\322.dwg
 USER: rowdena

USER NAME = rowdena	DESIGNED - _____	REVISED - _____
	DRAWN - _____	REVISED - _____
PLOT SCALE = 120,0000' / in.	CHECKED - _____	REVISED - _____
PLOT DATE = 12/7/2021	DATE - _____	REVISED - _____

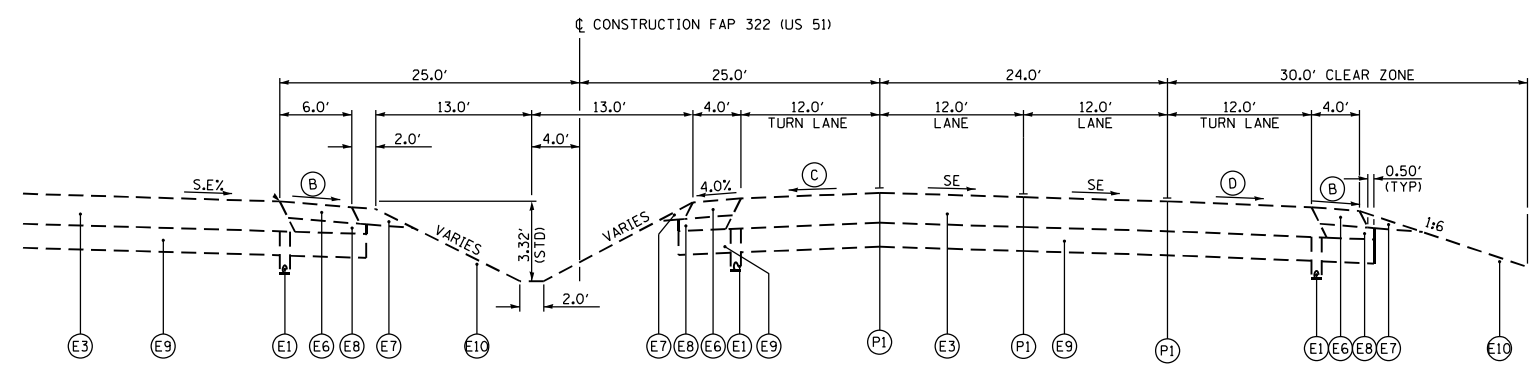
STATE OF ILLINOIS
 DEPARTMENT OF TRANSPORTATION

TYPICAL SECTIONS	
SCALE: _____	SHEET _____ OF _____ SHEETS
STA: _____	TO STA: _____

F.A.P. RTE. 322	SECTION (43, 44) CJS	COUNTY CHRISTIAN	TOTAL SHEETS 16	SHEET NO. 6
CONTRACT NO. 72M35				
ILLINOIS FED. AID PROJECT				

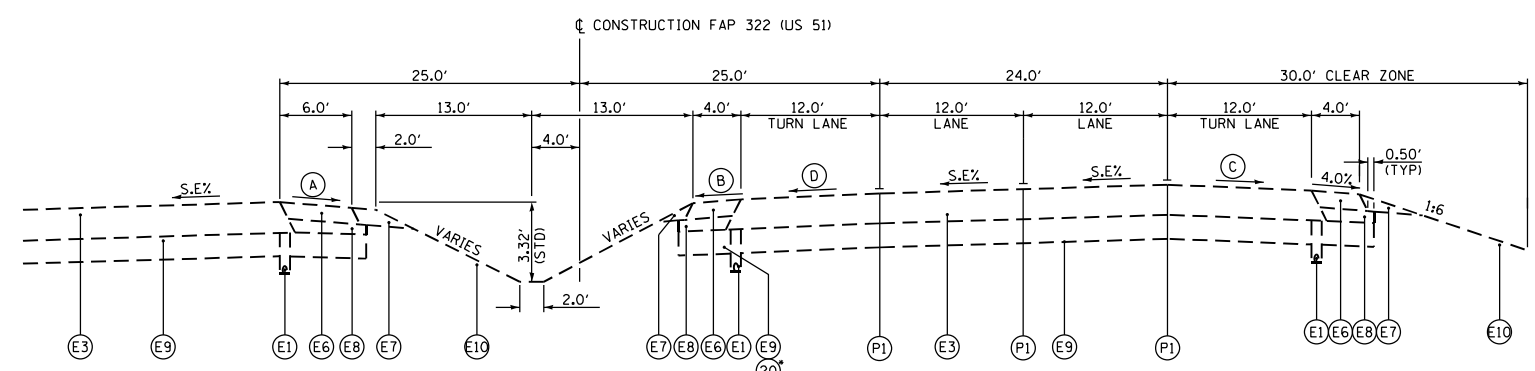


FAP 322 (US 51) TYPICAL SECTION WITH RT AND LT TURN LANES



FAP 322 (US 51) TYPICAL SUPERELEVATED SECTION WITH RT AND LT TURN LANES

LT TURN LANE ON HIGH SIDE
RT TURN LANE ON LOW SIDE



FAP 322 (US 51) TYPICAL SUPERELEVATED SECTION WITH RT AND LT TURN LANES

LT TURN LANE ON LOW SIDE
RT TURN LANE ON HIGH SIDE

LEGEND				
(E1)	EXISTING PIPE UNDERDRAIN	(E11)	EXISTING AGGREGATE BASE COURSE, TYPE A, 10"	
(E2)	EXISTING FD HOT-MIX ASPHALT PAVEMENT, 13 3/4"	(E12)	EXISTING BITUMINOUS SURFACE TREATMENT CLASS A-3	
(E3)	EXISTING SHOT-MIX ASPHALT PAVEMENT (FULL-DEPTH), 13 3/4"	(E13)	EXISTING POLYMERIZED HOT-MIX ASPHALT SURFACE COURSE, MIX "D", N70, 2"	
(E4)	EXISTING HOT-MIX ASPHALT PAVEMENT (FULL-DEPTH), 9 1/4" [SEE MIXTURE REQUIREMENTS AND PAVING LIFT DIAGRAMS ON SHEET 3 FOR THE PAVEMENT COMPOSITION]	(E14)	EXISTING HOT-MIX ASPHALT BASE COURSE, 10" (ANY WIDTH)	
(E5)	EXISTING HOT-MIX ASPHALT SHOULDERS 8"	(E15)	EXISTING HOT-MIX ASPHALT BASE COURSE, 9 1/2" (ANY WIDTH)	
(E6)	EXISTING HOT-MIX ASPHALT SHOULDERS 8" (WITH RUMBLE STRIPS, STD 642001)	(E16)	EXISTING HOT-MIX ASPHALT SURFACE REMOVAL, 2"	
(E7)	EXISTING AGGREGATE SHOULDERS, TYPE B	(E17)	EXISTING HOT-MIX ASPHALT SURFACE COURSE, MIX "C", N70, 2"	
(E8)	EXISTING SUB-BASE GRANULAR MATERIAL, TYPE C	(E18)	EXISTING HOT-MIX ASPHALT BASE COURSE, 8 1/2" (ANY WIDTH)	
(E9)	EXISTING PROCESSING MODIFIED SOIL 12" (LIME)	(E19)	EXISTING SUBBASE GRANULAR MATERIAL, TYPE A 8"	
(E10)	EXISTING TOPSOIL, 4"	(E20)	EXISTING POLYMERIZED HOT-MIX ASPHALT SURFACE COURSE, MIX "C", N70, 2 1/4"	
		(E21)	EXISTING LEVELING BINDER (MACHINE METHOD), N70, VARIABLE DEPTH (2 1/4" MAX)	
		(E22)	HOT-MIX ASPHALT BINDER COURSE, 1L-19.0, N70, VARIABLE DEPTH (2 1/4" MIN)	
		(P1)	SUBBASE GRANULAR MATERIAL, TYPE A 12"	
			(P1)	PROPOSED CRACK SEAL

NOT TO SCALE

MODEL: Default
 FILE NAME: \\sldet-pw-beadefy.com\P\INDOT\Documents\1\DOT\Office\Dir\ref: E:\Project\106727435\CADD\DATA\CAD\PROJECTS\106727435-sht-ty-section.dwg

USER NAME = rowdena	DESIGNED - _____	REVISED - _____
DRAWN - _____	REVISOR - _____	REVISOR - _____
PLOT SCALE = 120,0000' / in.	CHECKED - _____	REVISOR - _____
PLOT DATE = 12/7/2021	DATE - _____	REVISOR - _____

STATE OF ILLINOIS
DEPARTMENT OF TRANSPORTATION

TYPICAL SECTIONS	
SCALE: _____	SHEET _____ OF _____ SHEETS
STA. _____	TO STA. _____

F.A.P. RTE.	SECTION	COUNTY	TOTAL SHEETS	SHEET NO.
322	(43, 44) CJS	CHRISTIAN	16	7
CONTRACT NO. 72M35				
ILLINOIS FED. AID PROJECT				



MATCHLINE STA. 343+00.00



MODEL: Default
 FILE: Mainfile.pxd
 SUBJECT: new bench.mxd
 PROJECT: I:\DOT\Documents\DOT Office\Drawings\72M35\CADD\Drawings\CADD\Drawings\72M35-Subplan.dgn

USER NAME = rowdenna	DESIGNED - _____	REVISED - _____
DRAWN - _____	REVISIONS - _____	
PLOT SCALE = 100,0000' / in.	CHECKED - _____	REVISED - _____
PLOT DATE = 12/8/2021	DATE - _____	REVISED - _____

**STATE OF ILLINOIS
 DEPARTMENT OF TRANSPORTATION**

PLAN SHEETS
 SCALE: _____ SHEET _____ OF _____ SHEETS STA. _____ TO STA. _____

F.A.P. RTE.	SECTION	COUNTY	TOTAL SHEETS	SHEET NO.
322	(43,44) CJS	CHRISTIAN	16	8
CONTRACT NO. 72M35				
ILLINOIS FED. AID PROJECT				



MODEL: Default
 FILE: Mainfile.dwg
 PLOT DATE: 12/7/2021
 PROJECT: I:\Projects\DOT\Documents\DOT Office\Drawings\61067235\CADD\Drawings\CADD\Drawings\61067235-shd-ban.dgn

USER NAME: = rowdenna	DESIGNED - _____	REVISED - _____
DRAWN - _____	REVISIONS - _____	REVISIONS - _____
PLOT SCALE = 100,0000' / in.	CHECKED - _____	REVISIONS - _____
PLOT DATE = 12/7/2021	DATE - _____	REVISIONS - _____

STATE OF ILLINOIS
DEPARTMENT OF TRANSPORTATION

PLAN SHEETS
 SCALE: _____ SHEET ____ OF ____ SHEETS STA. _____ TO STA. _____

F.A.P. RTE.	SECTION	COUNTY	TOTAL SHEETS	SHEET NO.
322	(43.44) CJS	CHRISTIAN	16	9
CONTRACT NO. 72M35				
ILLINOIS FED. AID PROJECT				

MODEL: Default
 FILE: \\MAILSrv\public\new\benefit\com\PIV\DOT\Documents\DOT\Office\Dir\Dir\6\Projects\0672M35\CAD\Drawings\0672M35-shd-bn-1.dgn

MATCHLINE STA. 388+28.67



STATION EQUATION
 STA. 402+36.94 BK=
 STATION 100+00.00 AH

MATCHLINE STA. 100+91.71

MATCHLINE STA. 100+91.71



STATION EQUATION
 STA. 101+20.13 BK=
 STATION 403+28.42 AH

MATCHLINE STA. 418+00.00

USER NAME = rowdenna	DESIGNED - _____	REVISED - _____
DRAWN - _____	REVISIONS - _____	REVISIONS - _____
PLOT SCALE = 100.0000' / in.	CHECKED - _____	REVISIONS - _____
PLOT DATE = 11/18/2021	DATE - _____	REVISIONS - _____

**STATE OF ILLINOIS
 DEPARTMENT OF TRANSPORTATION**

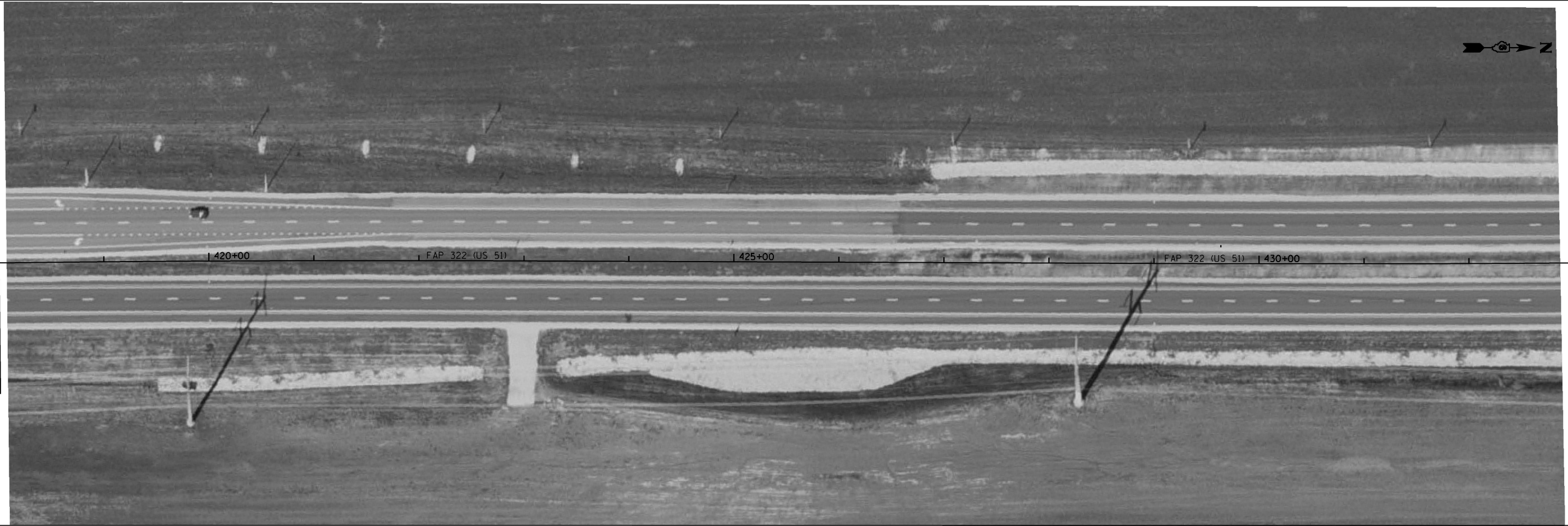
PLAN SHEETS

SCALE: _____ SHEET ____ OF ____ SHEETS STA. _____ TO STA. _____

F.A.P. RTE.	SECTION	COUNTY	TOTAL SHEETS	SHEET NO.
322	(43,44) CJS	CHRISTIAN	16	10
CONTRACT NO. 72M35				
ILLINOIS FED. AID PROJECT				

MODEL: Default
 FILE NAME: p:\project-aw-benefits.com\PI\DOT\Documents\DOT Office\Director_6\Project\0672M35\CADD\DATA\CAD\papers\0672M35-shd-bn.dgn

MATCHLINE STA. 418+00.00



MATCHLINE STA. 433+00.00

MATCHLINE STA. 433+00.00



MATCHLINE STA. 448+00.00

USER NAME = rowdenna	DESIGNED - _____	REVISED - _____
DRAWN - _____	REVISED - _____	
PLOT SCALE = 100,0000' / in.	CHECKED - _____	REVISED - _____
PLOT DATE = 11/18/2021	DATE - _____	REVISED - _____

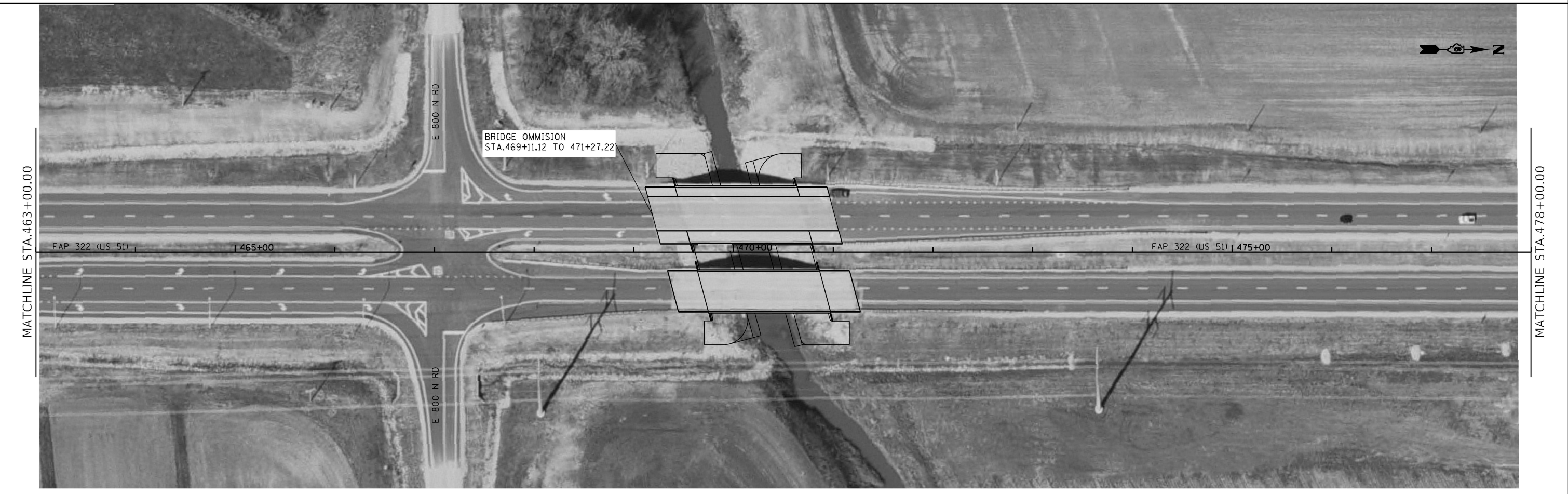
**STATE OF ILLINOIS
 DEPARTMENT OF TRANSPORTATION**

PLAN SHEETS

SCALE: SHEET ___ OF ___ SHEETS STA. _____ TO STA. _____

F.A.P. RTE.	SECTION	COUNTY	TOTAL SHEETS	SHEET NO.
322	(43,44) CJS	CHRISTIAN	16	11
ILLINOIS FED. AID PROJECT			CONTRACT NO. 72M35	

MODEL: Default
 FILE: \\MAILSrv\public\aw_bentley.com\PIV\DOT\Documents\DOT Office\Dir\Dir: 6\Project\0672M35\CADD\Drawings\0672M35-shd-bn.dgn



USER NAME = rowdienna	DESIGNED - _____	REVISED - _____
DRAWN - _____	REVISIED - _____	REVISIED - _____
PLOT SCALE = 100,0000' / in.	CHECKED - _____	REVISIED - _____
PLOT DATE = 11/18/2021	DATE - _____	REVISIED - _____

**STATE OF ILLINOIS
 DEPARTMENT OF TRANSPORTATION**

PLAN SHEETS

SCALE: _____ SHEET ____ OF ____ SHEETS STA. _____ TO STA. _____

F.A.P. RTE.	SECTION	COUNTY	TOTAL SHEETS	SHEET NO.
322	(43,44) CJS	CHRISTIAN	16	12
CONTRACT NO. 72M35				
ILLINOIS FED. AID PROJECT				

MODEL: Default
 FILE NAME: p:\project\72M35\CADD\Drawings\CAD\Drawings\0672M35-shd-ban.dgn

MATCHLINE STA. 478+00.00



MATCHLINE STA. 493+00.00

MATCHLINE STA. 493+00.00



MATCHLINE STA. 508+00.00

USER NAME = rowdenna	DESIGNED - _____	REVISED - _____
DRAWN - _____	REVISED - _____	
PLOT SCALE = 100,0000' / in.	CHECKED - _____	REVISED - _____
PLOT DATE = 11/18/2021	DATE - _____	REVISED - _____

**STATE OF ILLINOIS
 DEPARTMENT OF TRANSPORTATION**

PLAN SHEETS

SCALE: _____ SHEET ____ OF ____ SHEETS STA. _____ TO STA. _____

F.A.P. RTE. 322	SECTION (43,44) CJS	COUNTY	TOTAL SHEETS 16	SHEET NO. 13
ILLINOIS FED. AID PROJECT			CONTRACT NO. 72M35	

MODEL: Default
 FILE NAME: p:\i\dot\new\benefit\com\PI\INDOT\Documents\1\DOT Office\Dir\Dir\6\Project\0672M35\CADD\DATA\CAD\assets\0672M35-shd\shd_1.dgn

MATCHLINE STA. 508+00.00



MATCHLINE STA. 523+00.00

MATCHLINE STA. 523+00.00



MATCHLINE STA. 538+00.00

USER NAME = rowdenna	DESIGNED - _____	REVISED - _____
DRAWN - _____	REVISED - _____	
PLOT SCALE = 100,0000' / in.	CHECKED - _____	REVISED - _____
PLOT DATE = 11/18/2021	DATE - _____	REVISED - _____

**STATE OF ILLINOIS
 DEPARTMENT OF TRANSPORTATION**

PLAN SHEETS

SCALE: _____ SHEET ___ OF ___ SHEETS STA. _____ TO STA. _____

F.A.P. RTE.	SECTION	COUNTY	TOTAL SHEETS	SHEET NO.
322	(43,44) CJS	CHRISTIAN	16	14
CONTRACT NO. 72M35				
ILLINOIS FED. AID PROJECT				



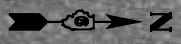
MODEL: Default
 FILE NAME: p:\ultra-cw-bentley.com\PIV\DOT\Documents\DOT Office\Dir\Dir: 6\Projects\0672\35\CAD\Drawings\0672\35-shd-bn-1.dgn

USER NAME = rowdenna	DESIGNED - _____	REVISED - _____
DRAWN - _____	REVISIONS - _____	
PLOT SCALE = 100,0000' / in.	CHECKED - _____	REVISED - _____
PLOT DATE = 12/7/2021	DATE - _____	REVISED - _____

STATE OF ILLINOIS
DEPARTMENT OF TRANSPORTATION

PLAN SHEETS
 SCALE: _____ SHEET ____ OF ____ SHEETS STA. _____ TO STA. _____

F.A.P. RTE.	SECTION	COUNTY	TOTAL SHEETS	SHEET NO.
322	(43,44) CJS	CHRISTIAN	16	15
CONTRACT NO. 72M35				
ILLINOIS FED. AID PROJECT				



END SB SEALING
STA. 573+90.95

MATCHLINE STA. 568+00.00

570+00

FAP 322 (US 51)

575+00

FAP 322 (US 51)

580+00

Model: Default
File: Mainfile_pws\uldest-cw-beadley.com\FW\DOT\Documents\DOT Office\District 6\Project\0672M35\CAD\Drawings\CAD\Drawings\0672M35-shd-bn.dgn

USER NAME = rowdenna	DESIGNED - _____	REVISED - _____
	DRAWN - _____	REVISED - _____
PLOT SCALE = 100,0000' / in.	CHECKED - _____	REVISED - _____
PLOT DATE = 12/7/2021	DATE - _____	REVISED - _____

**STATE OF ILLINOIS
DEPARTMENT OF TRANSPORTATION**

PLAN SHEETS

SCALE: _____ SHEET ____ OF ____ SHEETS STA. _____ TO STA. _____

F.A.P. RTE.	SECTION	COUNTY	TOTAL SHEETS	SHEET NO.
322	(43,44) CJS	CHRISTIAN	16	16
CONTRACT NO. 72M35				
ILLINOIS FED. AID PROJECT				