

80% FED  
20% STATE

80% FED  
20% STATE

SUMMARY OF QUANTITIES			TOTAL QUANTITIES	CONSTRUCTION TYPE CODE		
CODE NO	ITEM	UNIT		0013		
20300100	CHANNEL EXCAVATION	CU YD	657	657		
28100109	STONE RIPRAP, CLASS A5	SO YD	525	525		
28200200	FILTER FABRIC	SO YD	525	525		
40600290	BITUMINOUS MATERIALS (TACK COAT)	POUND	495	495		
40604052	HOT-MIX ASPHALT SURFACE COURSE, IL-9.5, MIX "C", N70	TON	92	92		
40800050	INCIDENTAL HOT-MIX ASPHALT SURFACING	TON	12	12		
42000070	PAVEMENT CONNECTOR (HMA) FOR BRIDGE APPROACH SLAB	SO YD	192	192		
44000100	PAVEMENT REMOVAL	SO YD	46	46		
44000155	HOT-MIX ASPHALT SURFACE REMOVAL, 1 1/2"	SO YD	1100	1100		
44004250	PAVED SHOULDER REMOVAL	SO YD	58	58		
48102100	AGGREGATE WEDGE SHOULDER, TYPE B	TON	28	28		
50101500	REMOVAL OF EXISTING SUPERSTRUCTURES	EACH	1	1		
50102400	CONCRETE REMOVAL	CU YD	3.2	3.2		

SUMMARY OF QUANTITIES			TOTAL QUANTITIES	CONSTRUCTION TYPE CODE		
CODE NO	ITEM	UNIT		0013		
50105220	PIPE CULVERT REMOVAL	FOOT	12	12		
50300225	CONCRETE STRUCTURES	CU YD	28.8	28.8		
50300255	CONCRETE SUPERSTRUCTURE	CU YD	83.9	83.9		
50300260	BRIDGE DECK GROOVING	SO YD	340	340		
50300300	PROTECTIVE COAT	SO YD	362	362		
50301350	CONCRETE SUPERSTRUCTURE (APPROACH SLAB)	CU YD	92.8	92.8		
50800205	REINFORCEMENT BARS, EPOXY COATED	POUND	67390	67390		
50901050	STEEL RAILING, TYPE SM	FOOT	122	122		
51500100	NAME PLATES	EACH	1	1		
54002020	EXPANSION BOLTS 3/4 INCH	EACH	8	8		
54213459	END SECTIONS 24"	EACH	1	1		
54248510	CONCRETE COLLAR	CU YD	0.4	0.4		
542D0229	PIPE CULVERTS, CLASS D, TYPE 1 24"	FOOT	12	12		
* 63000001	STEEL PLATE BEAM GUARDRAIL, TYPE A, 6 FOOT POSTS	FOOT	212.5	212.5		
* 63100045	TRAFFIC BARRIER TERMINAL, TYPE 2	EACH	1	1		

\* SPECIALTY ITEM

△ REVISED 2-24-2022 REV. - MS

MODEL: Default  
FILE NAME: p:\wldg\paw\benfley.com\pww\DOT\Documents\DOT\_Offices\District\_2\Projects\74434\CADD\data\CAD\Sheets\074434-2B-S00.dgn

USER NAME = steffemk	DESIGNED -	REVISED -
	DRAWN -	REVISED -
PLOT SCALE = 100.0000' / in.	CHECKED -	REVISED -
PLOT DATE = 12/15/2021	DATE -	REVISED -

STATE OF ILLINOIS  
DEPARTMENT OF TRANSPORTATION

SUMMARY OF QUANTITIES

SCALE: SHEET 1 OF 2 SHEETS STA. TO STA.

F.A.P. RTE.	SECTION	COUNTY	TOTAL SHEETS	SHEET NO.
770	(116BR-2)B-1	MOULTRIE	26	3
ILLINOIS / FED. AID PROJECT			CONTRACT NO. 74434	

80% FED  
20% STATE

80% FED  
20% STATE

SUMMARY OF QUANTITIES

SUMMARY OF QUANTITIES

CODE NO	ITEM	UNIT	TOTAL QUANTITIES	CONSTRUCTION TYPE CODE		
				0013		
* 6310087	TRAFFIC BARRIER TERMINAL, TYPE 6A	EACH	3	3		
* 63100167	TRAFFIC BARRIER TERMINAL, TYPE 1 (SPECIAL) TANGENT	EACH	3	3		
63200310	GUARDRAIL REMOVAL	FOOT	427	427		
66700205	PERMANENT SURVEY MARKERS, TYPE I	EACH	1	1		
67000400	ENGINEER'S FIELD OFFICE, TYPE A	CAL MO	6	6		
67100100	MOBILIZATION	L SUM	1	1		
70100450	TRAFFIC CONTROL AND PROTECTION, STANDARD 701201	L SUM	1	1		
70107025	CHANGEABLE MESSAGE SIGN	CAL DA	28	28		
* 72501000	TERMINAL MARKER - DIRECT APPLIED	EACH	3	3		
* 72501100	TERMINAL MARKER - POST MOUNTED	EACH	1	1		
* 78001110	PAINT PAVEMENT MARKING - LINE 4"	FOOT	838	838		
* 78100100	RAISED REFLECTIVE PAVEMENT MARKER	EACH	4	4		
* 78200005	GUARDRAIL REFLECTORS, TYPE A	EACH	9	9		

CODE NO	ITEM	UNIT	TOTAL QUANTITIES	CONSTRUCTION TYPE CODE		
				0013		
X2501000	SEEDING, CLASS 2 (SPECIAL)	ACRE	0.3	0.3		
* X6310088	TRAFFIC BARRIER TERMINAL TYPE 6A (SPECIAL)	EACH	1	1		
* <del>X6330725</del>	<del>STEEL PLATE BEAM GUARDRAIL (SHORT RADIUS)</del>	<del>FOOT</del>	<del>12.5</del>	<del>12.5</del>		
X7011800	TRAFFIC CONTROL AND PROTECTION, STANDARD BLR 21	L SUM	1	1		
Z0004552	APPROACH SLAB REMOVAL	SO YD	289	289		
Z0012754	STRUCTURAL REPAIR OF CONCRETE (DEPTH EQUAL TO OR LESS THAN 5 INCHES)	SO FT	55	55		
Z0016702	DETOUR SIGNING	L SUM	1	1		
40600370	LONGITUDINAL JOINT SEALANT	FOOT	301	301		
Z0049799	PROTECTING OR RESETTING SURVEY MARKERS	EACH	3	3		
Z0070202	SURVEY MARKER VAULT	EACH	3	3		
Z0073700	TEMPORARY WALL BRACING SYSTEM	L SUM	1	1		

\* SPECIALTY ITEM

REVISD 2-24-2022 REV. - MS

MODEL: D:\default... FILE NAME: pw\bridge-pw-bentley.com\PWIDOT\Documents\DOT\_Offices\District\_21\Projects\74434\CADD\data\CAD\beets\0774434-rb-500.dgn

USER NAME = steffemk	DESIGNED -	REVISED -
DRAWN -	DRAWN -	REVISED -
PLOT SCALE = 100.0000' / in.	CHECKED -	REVISED -
PLOT DATE = 12/15/2021	DATE -	REVISED -

**STATE OF ILLINOIS  
DEPARTMENT OF TRANSPORTATION**

**SUMMARY OF QUANTITIES**

SCALE: SHEET 2 OF 2 SHEETS STA. TO STA.

F.A.P. RTE.	SECTION	COUNTY	TOTAL SHEETS	SHEET NO.
770	(116BR-2)B-1	MOULTRIE	26	4
			CONTRACT NO. 74434	
ILLINOIS / FED. AID PROJECT				

STATION	TO	STATION	LENGTH	AVERAGE PAVEMENT & SHOULDER WIDTH	AREA	BITUMINOUS MATERIALS (TACK COAT) 40600290	HOT-MIX ASPHALT SURFACE COURSE, MIX "C", N70 40604052	HOT-MIX ASPHALT SURFACE REMOVAL, 1.5" 44000155	AGGREGATE WEDGE SHOULDER TYPE B 48102100	LONGITUDINAL JOINT SEALANT 40600370	INCIDENTAL HMA SURFACING 40800050
			FOOT	FOOT	SQ YD	POUND	TON	SQ YD	TON	FOOT	TON
948+75.00	TO	950+25.00	150.0	33.0	550.0	247.5	46.2	550.0	14.2	150.0	0.0
950+25.00	TO	951+76.00	OMISSION								0.0
951+76.00	TO	953+26.00	150.0	33.0	550.0	247.5	46.2	550.0	14.2	150.0	0.0
Crosson Road											12
TOTALS					1100	495	92	1100	28	300	12

STATION	TO	STATION	LENGTH	PAINT PAVEMENT MARKING - LINE - 4"	RAISED REFLECTIVE PAVEMENT MARKER
			FOOT	78001110	78100100
949+00.00	TO	950+51.00	151.0	339.8	2
950+51.00	TO	951+50.00	99.0	222.8	0
951+50.00	TO	953+00.00	150.0	337.5	2
E. CROSS ROAD				62	
TOTALS				838.0	4

LOCATION	GUARDRAIL REMOVAL 63200310	TRAFFIC BARRIER TERMINAL TYPE 1, SPECIAL (TANGENT) 63100167	STEEL PLATE BEAM GUARD RAIL, TYPE A, 6 FOOT POSTS 63000001	TRAFFIC BARRIER TERMINAL, TYPE 6A 63100087	STEEL PLATE BEAM GUARDRAIL (SHORT RADIUS) X6330725	GUARDRAIL REFLECTORS, TYPE A 78200005	TERMINAL MARKERS - DIRECT APPLIED 72501000	TRAFFIC BARRIER TERMINAL TYPE 6A (SPECIAL) X6310088
	FOOT	EACH	FOOT	EACH	FOOT	EACH	EACH	EACH
NORTHEAST CORNER	87.0	1.0	0.0	1.0	1.0		1.0	
SOUTHEAST CORNER	150.0	1.0	100.0	1.0			1.0	
NORTHWEST CORNER	151.0	1.0	100.0	1.0			1.0	
SOUTHWEST CORNER	39.0		12.5		12.5			1.0
LEFT SIDE						4.0		
RIGHT SIDE						5.0		
TOTALS=	427.0	3.0	212.5	3.0	12.5	9.0	3.0	1.0

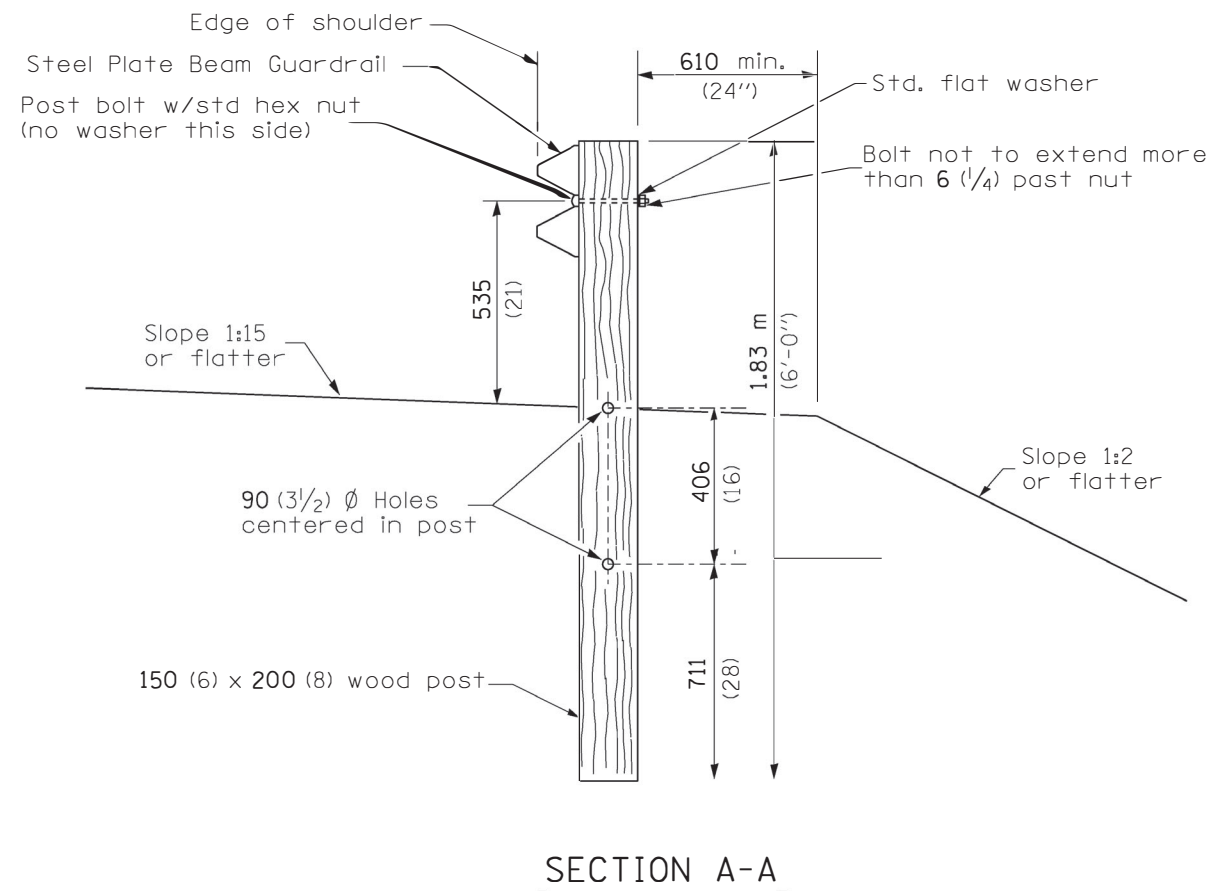
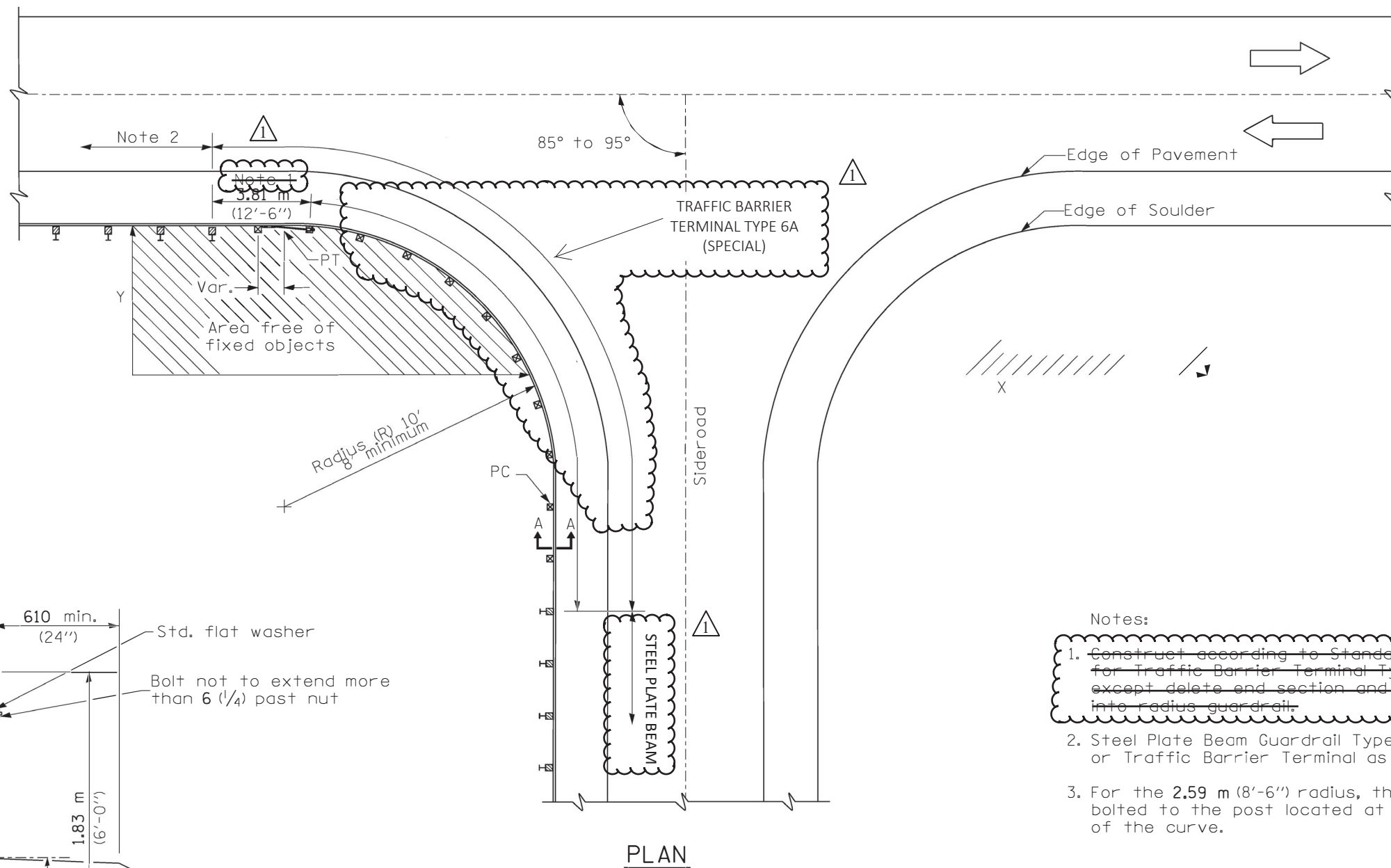
LOCATION		PIPE CULVERT REMOVAL 50105220	EXPANSION BOLTS 54002020	REINFORCEMENT BARS, EPOXY COATED 50800205	PIPE CULVERTS, CLASS D, TYPE 1 24" 54200229	END SECTIONS 24" 54213459	CONCRETE COLLAR 54248510
STA.	LT.	FOOT	EACH	POUNDS	FOOT	EACH	CU YD
950+78	56.6	12	8	24	5	1	0.3

Pt. #	STA	OFFSET	DESCRIPTION	Protect & Preserve Recommendation	Vault	Disk (Typ 1)
1032	949+97.75	5.3' Rt	Square Vault in Concrete. SW Cor Sec 7-14-4 (See Monument Records)	Protect Disk and Install New Vault	1	
1947	950+97.47	23.71 Lt	IDOT Control Monument	Protect if possible	X	X
1044	951+95.6	5.0' Rt	Square Vault in Concrete. SE Cor Sec 12-14-3 (See Monument Records)	Protect Disk and Install New Vault	1	
			Install New IDOT Disk in Headwall or Abutment during construction. Location to be determined by the Resident Engineer			1

△ REVISED 2-24-2022

REV. - MS

FILE NAME =	USER NAME = steffennk	DESIGNED -	REVISED -	<b>STATE OF ILLINOIS DEPARTMENT OF TRANSPORTATION</b>	<b>SCHEDULES</b>	F.A.P. RTE.	SECTION	COUNTY	TOTAL SHEETS	SHEET NO.
pw:\idot-pw.bentley.com\PWIDOT\Documents\IDOT Offices\District 7\Projects\74434\CAD\Drawings\74434-sht-Schedules.dgn	DRAWN	REVISED -	770			(116BR-2B-1)	MOULTRIE	26	6	
PLOT SCALE = 100.0000' / 1" =	CHECKED -	REVISED -	CONTRACT NO. 74434							
PLOT DATE = 12/15/2021	DATE -	REVISED -	ILLINOIS FED. AID PROJECT							
SCALE:		SHEET NO. 1 OF 1 SHEETS		STA.	TO STA.					



- Notes:
1. Construct according to Standard G31011 for Traffic Barrier Terminal Type 2, except delete end section and splice into radius guardrail.
  2. Steel Plate Beam Guardrail Type A, Type B, or Traffic Barrier Terminal as specified.
  3. For the 2.59 m (8'-6") radius, the rail is not bolted to the post located at the midpoint of the curve.

GENERAL NOTES

All slope ratios are expressed as units of vertical displacement to units of horizontal displacement (V:H).  
 All dimensions are in millimeters (inches) unless otherwise shown.

**STEEL PLATE BEAM  
 GUARDRAIL,  
 SHORT RADIUS**

REVISION 2-24-2022

BDE Memo 36-03 Attachment A

MODEL: Default  
 FILE NAME: p:\w\backsw\_bentley.com\p\w\dot\Documents\DOT Offices\District 2\Projects\74434\CADD\data\CAD\sheet\0774434-sh-Details.dgn

USER NAME = beffernk	DESIGNED -	REVISED -
PLOT SCALE = 100.1840' / in.	DRAWN -	REVISED -
PLOT DATE = 12/15/2021	CHECKED -	REVISED -
	DATE -	REVISED -

STATE OF ILLINOIS  
 DEPARTMENT OF TRANSPORTATION

GUARDRAIL SOUTHWEST  
 CORNER DETAIL

SCALE: SHEET OF SHEETS STA. TO STA.

F.A.P. RTE.	SECTION	COUNTY	TOTAL SHEETS	SHEET NO.
770	(116BR-2)B-1	MOULTRIE	26	10
ILLINOIS FED. AID PROJECT			CONTRACT NO. 74434	