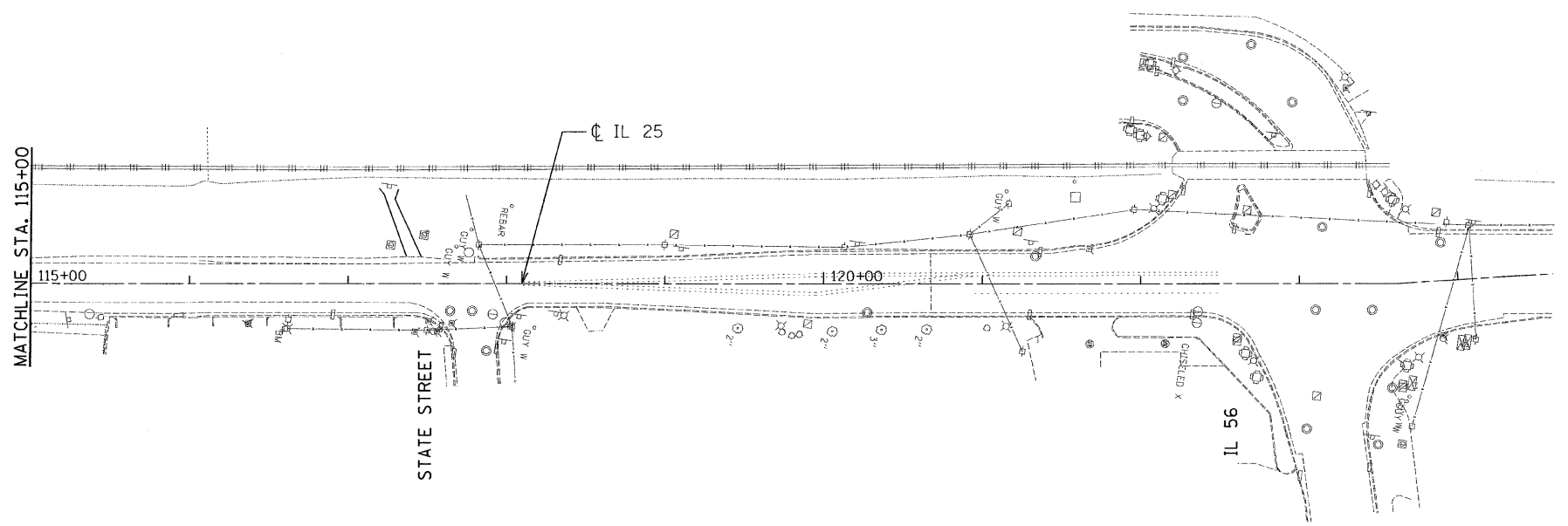


- LEGEND**
- TOPSOIL, FURNISH & PLACE, 4" SODDING, SALT TOLERANT FERTILIZER NUTRIENTS
 - PERIMETER EROSION BARRIER
 - INLET FILTERS

28000510		INLET FILTERS	
Station	Offset	Station	Offset
102+47	22.5' RT	108+36	26.0' RT
103+97	21.6' RT	111+71	24.4' RT
105+47	22.3' RT	111+92	30.0' LT
107+50	21.5' RT		



FILE NAME =
\$FILEL\$

USER NAME = _USER_
PLOT SCALE = 50.0019' / IN.
PLOT DATE = 2/10/2011

DESIGNED - EF
DRAWN - EF
CHECKED - RS
DATE - 02-14-2011

REVISED -
REVISED -
REVISED -
REVISED -

**STATE OF ILLINOIS
DEPARTMENT OF TRANSPORTATION**

**IL 25 (RIVER ST.) - IL 56 TO I-88
EROSION AND LANDSCAPING PLAN**
SCALE: 50 SHEET NO. 1 OF 1 SHEETS STA. TO STA.

F.A.U. RTE.	SECTION	COUNTY	TOTAL SHEETS	SHEET NO.
2503	TWP-1-T	KANE	43	9
CONTRACT NO. 60K07				
ILLINOIS FED. AID PROJECT				