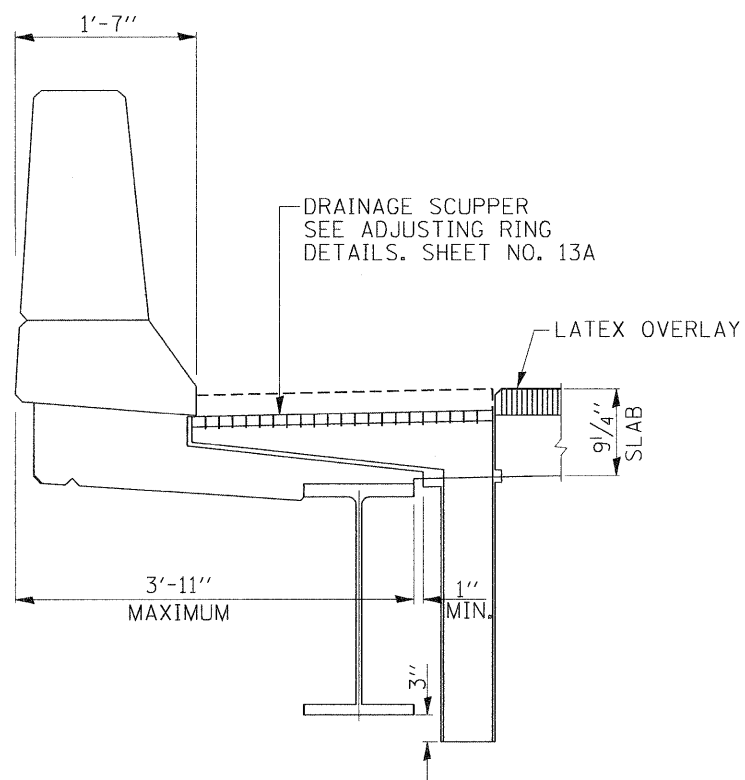


**DECK PLAN**



**SCUPPER DETAIL**

**BILL OF MATERIALS**

ITEM	UNIT	QUANTITY
DECK SLAB REPAIR (FULL DEPTH)	SQ.YD.	1
ADJUSTING DRAINAGE SCUPPER, TYPE A	EACH	2

**LEGEND:**

- DECK SLAB REPAIR (PARTIAL DEPTH) 6.0 SQ.YD (FOR INFORMATION ONLY)
- DECK SLAB REPAIR (FULL DEPTH)