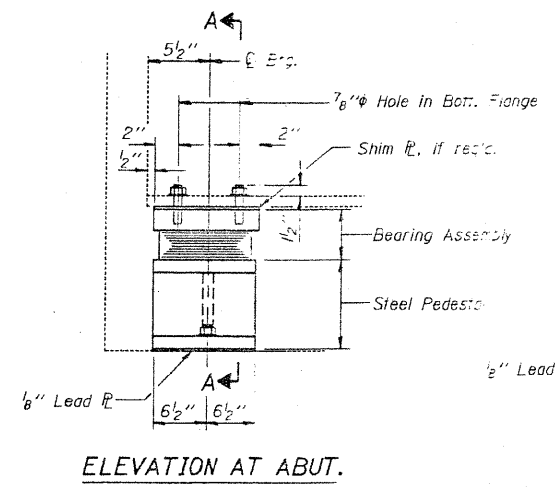


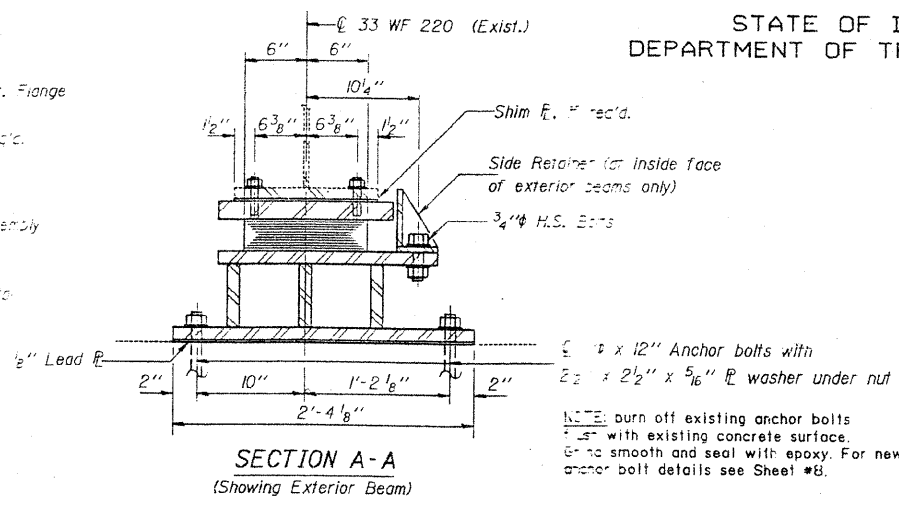
STATE OF ILLINOIS
DEPARTMENT OF TRANSPORTATION

ROUTE NO.	SECTION	QUANTITY	SCALE	SHEET NO.
VAR.	*	VARIOUS	25	8
SHEETS				

02 Bridge Painting 2011-2



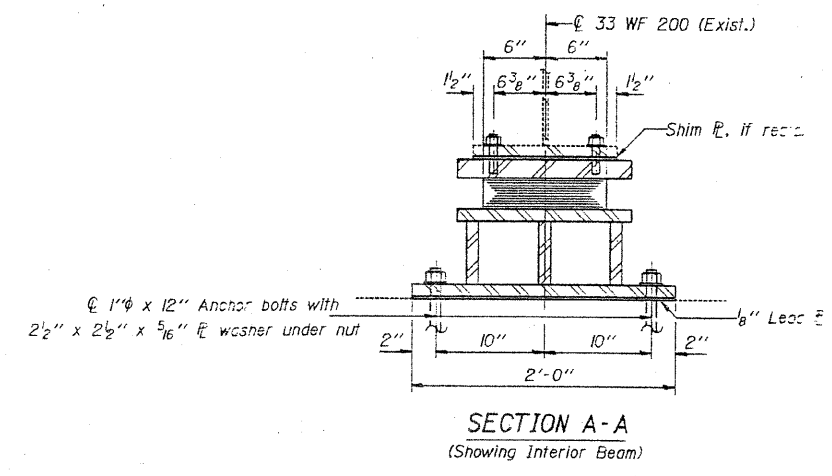
ELEVATION AT ABUT.



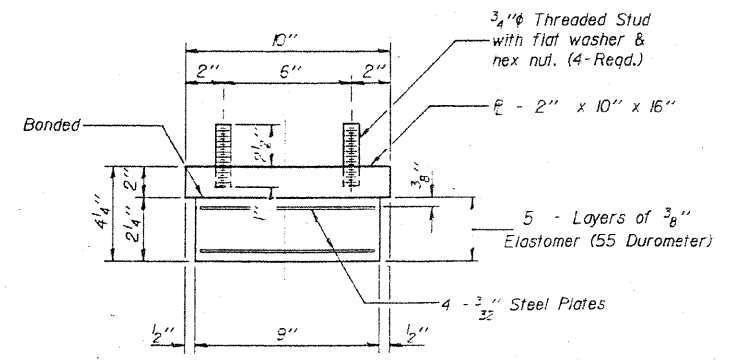
SECTION A-A
(Showing Exterior Beam)

NOTE: burn off existing anchor bolts with existing concrete surface. Grind smooth and seal with epoxy. For new anchor bolt details see Sheet #8.

TYPE I ELASTOMERIC EXP. BRG.

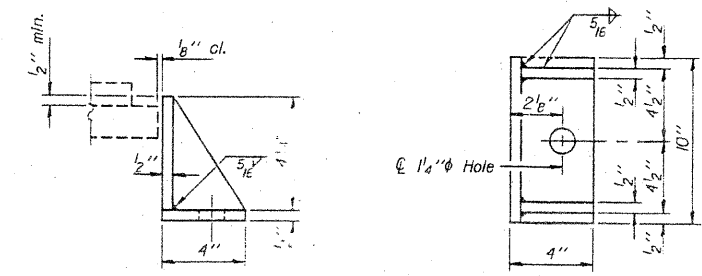


SECTION A-A
(Showing Interior Beam)



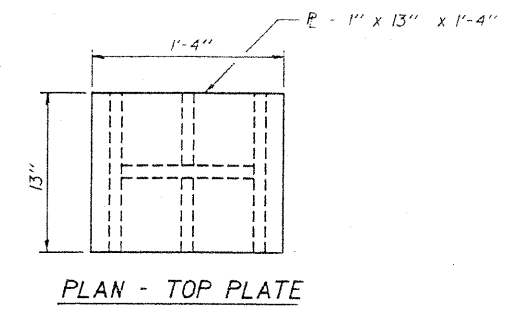
BEARING ASSEMBLY

Note: Shim plates shall not be placed under Bearing Assembly.

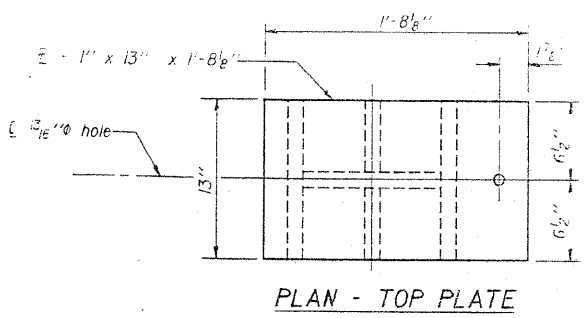


SIDE RETAINER

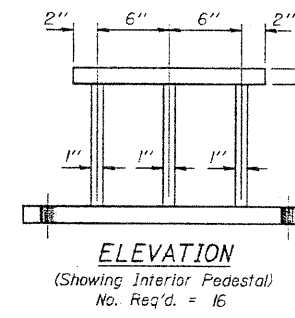
Equivalent rolled angle with stiffeners will be allowed in lieu of welded plates.



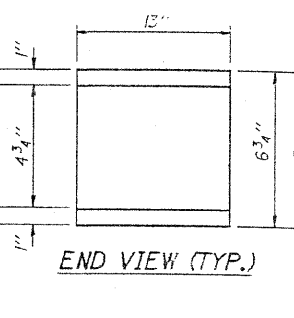
PLAN - TOP PLATE



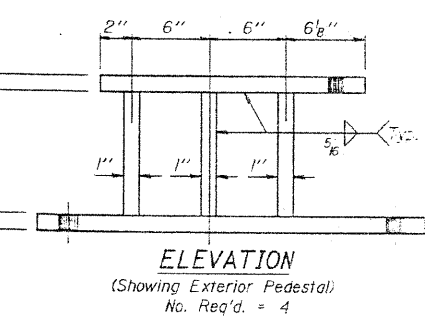
PLAN - TOP PLATE



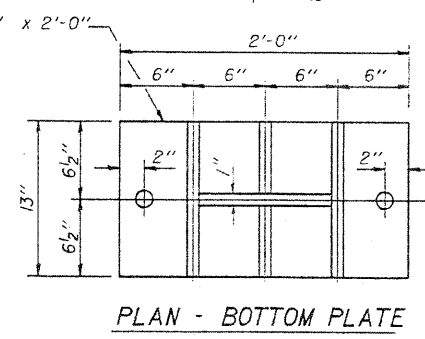
ELEVATION
(Showing Interior Pedestal)
No. Req'd. = 16



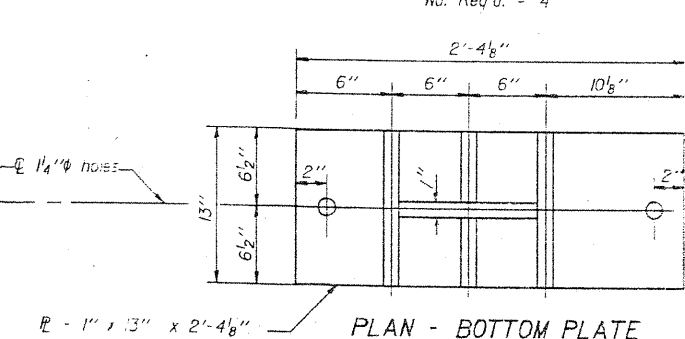
END VIEW (TYP.)



ELEVATION
(Showing Exterior Pedestal)
No. Req'd. = 4



PLAN - BOTTOM PLATE



PLAN - BOTTOM PLATE

STEEL PEDESTALS

BEAM REACTIONS

Live Load	39.0 kips
Dead Load	33.5 kips
Impact	10.0 kips

BILL OF MATERIAL

Item	Unit	Qty
Elastomeric Bearing Assembly Type 1	Each	20
Furnishing and Erecting Structural Steel	Lbs.	4500
Jacking and Cribbing	Each	20

NORTH AND SOUTH ABUTMENTS

ELASTOMERIC BEARINGS
F.A. RT. 734 SEC. 76 BR
WINNEBAGO COUNTY
STA. 5 + 89.82

DESIGNED <i>H. H. P.</i>	EXAMINED
CHECKED <i>Rick Bruner</i>	PASSED
DRAWN <i>r. b. carbone</i>	APPROVED
CHECKED <i>KPS RAE</i>	

I-2-EI 12-1-83