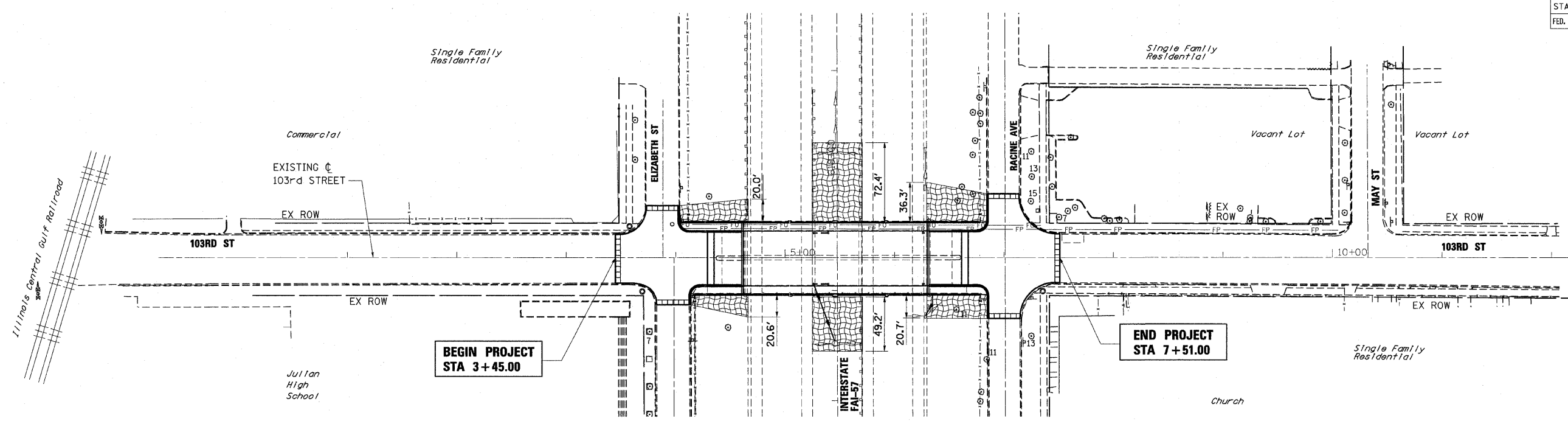
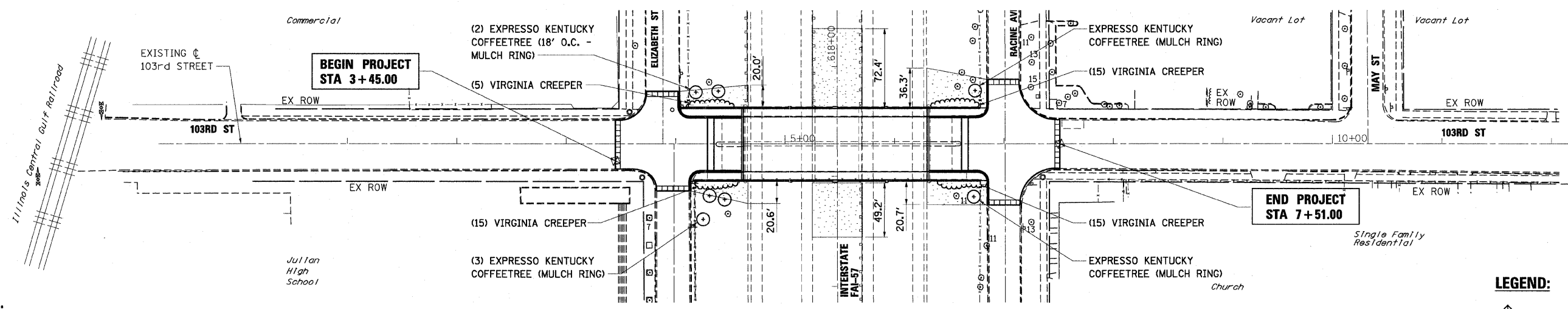


F.A.I. RTE.	SECTION	COUNTY	TOTAL SHEETS	SHEET NO.
57	2122-B	COOK	75	17
STA.		TO STA.		
FED. ROAD DIST. NO.		ILLINOIS FED. AID PROJECT		



EROSION CONTROL



LANDSCAPING

NOTE:

- SEE MISCELLANEOUS DETAILS FOR INLET FILTER DETAIL.
- INSTALL VIRGINIA CREEPER 2' ON CENTER ALONG BASE OF BRIDGE ABUTMENT/MULCH BED.
- EROSION CONTROL MEASURES ARE A HIGH PRIORITY ON THIS CONTRACT. THE ENGINEER WILL IMPLEMENT ALL PROVISIONS OF THE SPECIFICATION NECESSARY TO ASSURE THAT EROSION CONTROL ITEMS ARE CONSTRUCTED AND MAINTAINED IN A TIMELY MANNER. ALL EROSION CONTROL MEASURES SHALL BE INSTALLED PRIOR TO BEGINNING ANY CONSTRUCTION ACTIVITIES THAT MAY POTENTIALLY CREATE ERODIBLE CONDITIONS.
- THE EROSION CONTROL MEASURES SHOWN ARE A GRAPHICAL REPRESENTATION OF SUGGESTED MEASURES. DEVIATIONS FROM THIS MAY BE REQUIRED PENDING A JOBSITE INSPECTION BETWEEN THE CONTRACTOR AND ENGINEER
- THE CONTRACTOR SHALL IMPLEMENT AND MAINTAIN SEDIMENT CONTROL MEASURES PRIOR TO STRIPPING EXISTING VEGETATION.
- NO SLOPE SHALL BE LEFT UNDISTURBED FOR MORE THAN 14 DAYS WITHOUT THE PLACEMENT OF TEMPORARY OR PERMANENT SEEDING.

LEGEND:

- DRAINAGE STRUCTURE INLET FILTER
- TEMPORARY EROSION CONTROL SEEDING
- PERIMETER EROSION BARRIER
- SEEDING, CLASS 2A WITH EROSION CONTROL BLANKET

REVISIONS	
NAME	DATE

ILLINOIS DEPARTMENT OF TRANSPORTATION

EROSION CONTROL / LANDSCAPING PLANS

SCALE: 1"=50'
DATE: 15-JAN-2009

DRAWN BY: T.W.K.
CHECKED BY: A.A.C.

S:\stn\17-103cer\01.dgn 15-JAN-2009