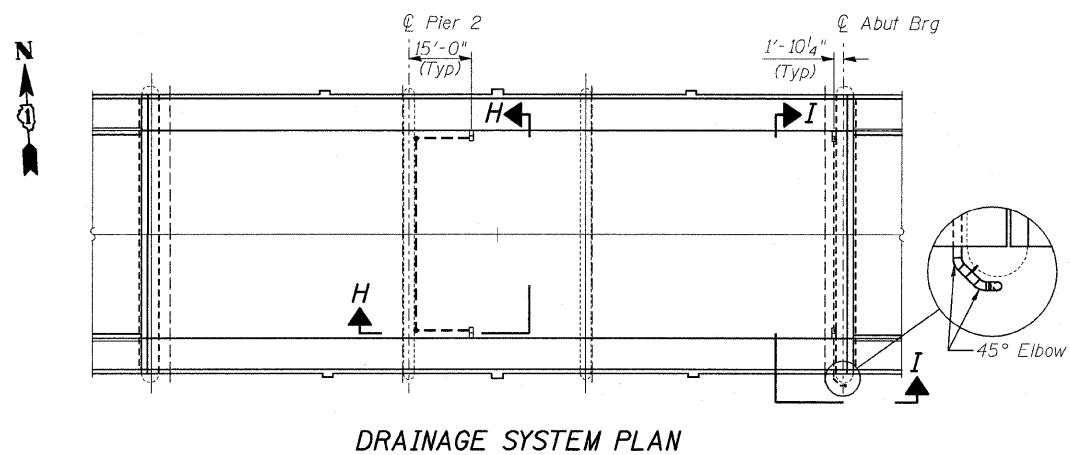
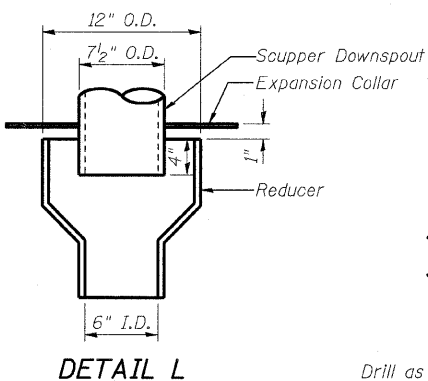


STATE OF ILLINOIS
DEPARTMENT OF TRANSPORTATION

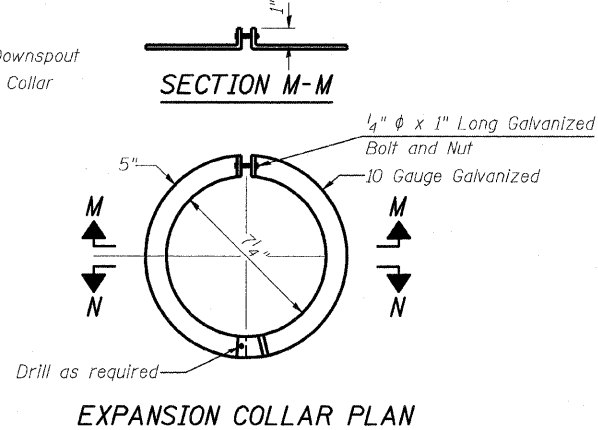
ROUTE NO.	SECTION	COUNTY	SHEET	SHEET	SHEET NO. 11
F.A.I. 57	★	COOK	75	39	32 SHEETS
FED. ROAD DIST. NO. 7					
ILLINOIS FED. AID PROJECT					
Contract 60366					
★ 2122B					



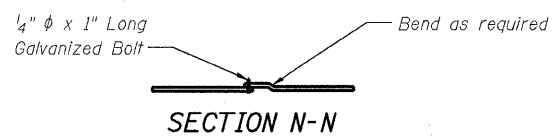
DRAINAGE SYSTEM PLAN



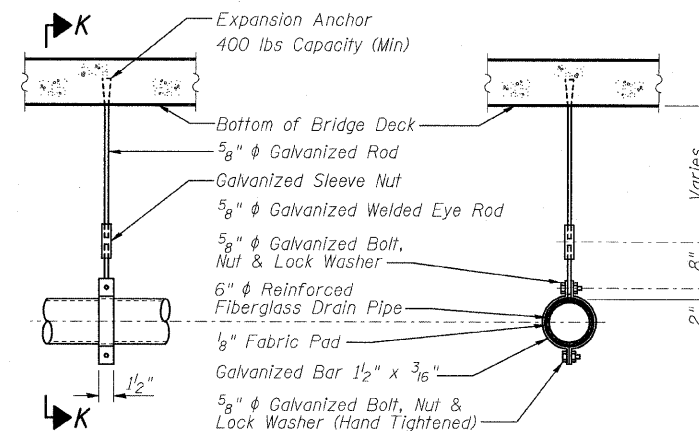
DETAIL L



EXPANSION COLLAR PLAN



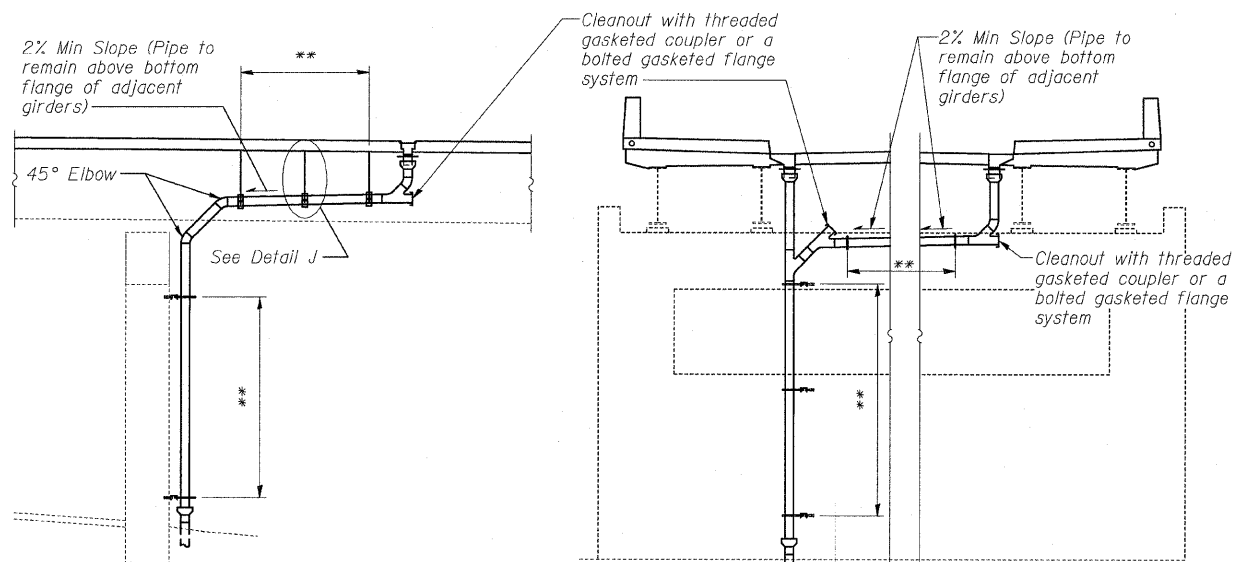
SECTION N-N



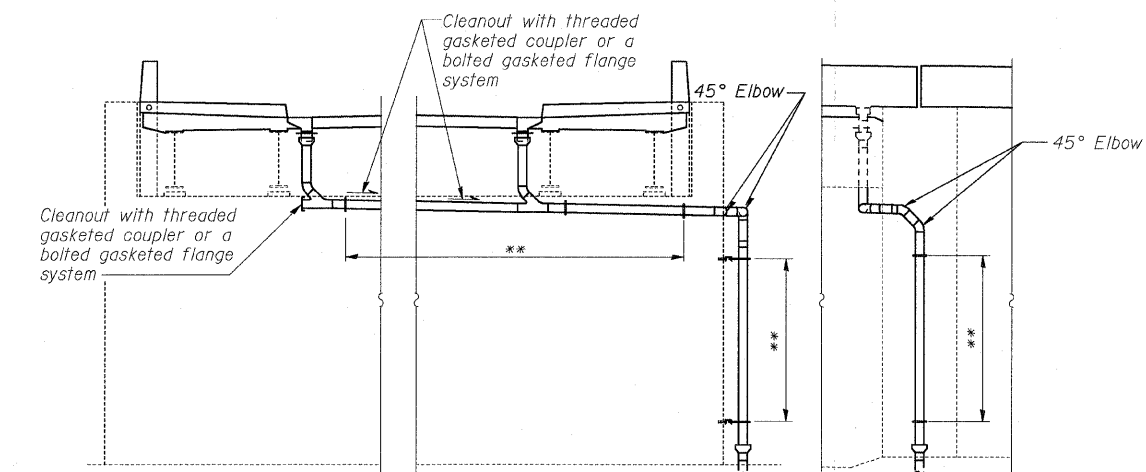
ELEVATION

SECTION K-K

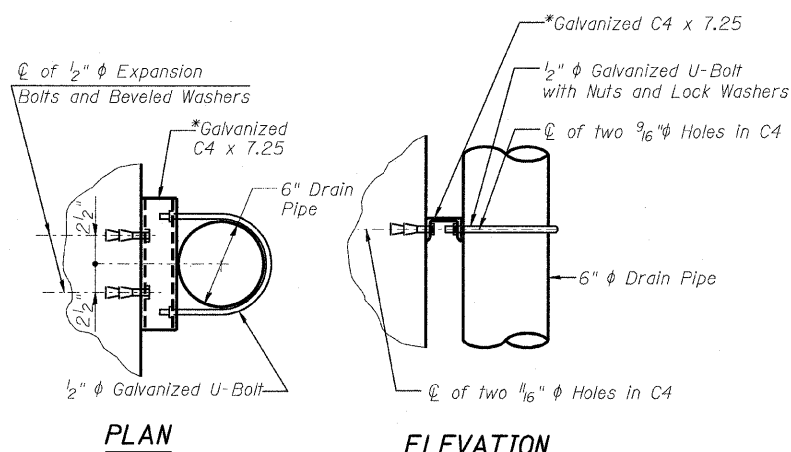
PIPE SUPPORT DETAIL AT BRIDGE DECK
DETAIL J



SECTION H-H



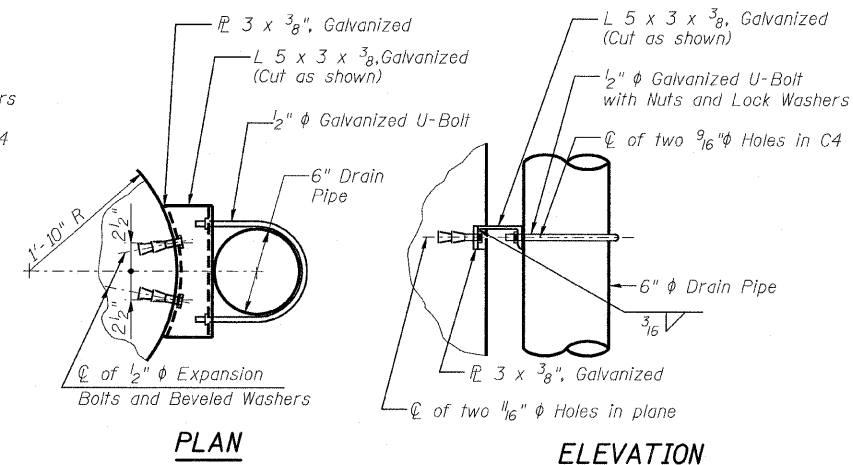
SECTION I-I



PLAN

ELEVATION

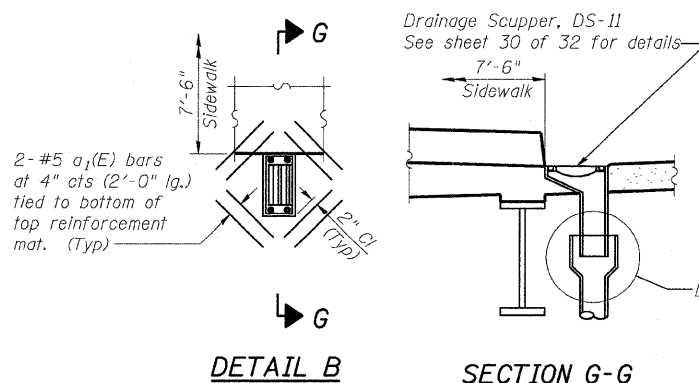
PIPE SUPPORT DETAIL ON FLAT SURFACE



PLAN

ELEVATION

PIPE SUPPORT DETAIL ON CURVED SURFACE



DETAIL B

SECTION G-G

Notes:

See Special Provisions for Drainage System installation and material.

See Sheet 9 of 32 for locations of Detail B.

*Larger channel sections may be used if required for drain pipe to clear miscellaneous attachments to substructure units as approved by the engineer.

*** See Roadway Drainage and Utilities Sheets for connection of drainage system to existing I-57 catch basin structures.

DESIGNED	NDR
CHECKED	ERM
DRAWN	RTT
CHECKED	DSE
DATE	JAN 16, 2009

Illinois Firm Registration No: 04-00533

Stanley Consultants Inc.
8501 West Higgins Road, Suite 730, Chicago, Illinois 60631-2801
www.stanleygroup.com

SUPERSTRUCTURE DETAILS
103RD STREET OVER
FAI 57 (DAN RYAN-WEST LEG)
FAI RTE 57 SECTION 2122B
COOK COUNTY
STA 5+47.40
STRUCTURE NO 016-2127

C:\5960\02-103\stt\sb00211.dgn 15-JAN-2009