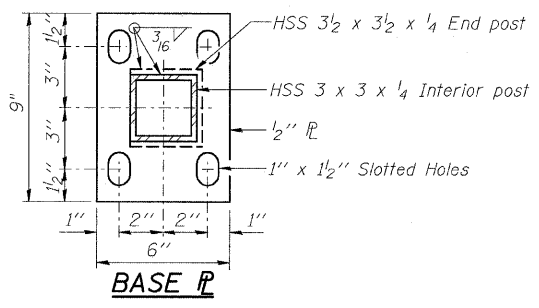
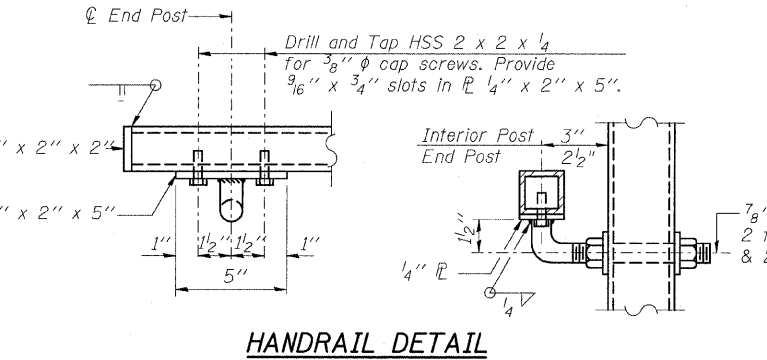
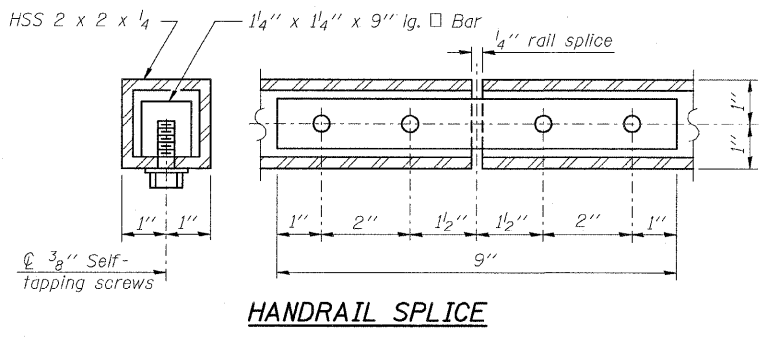
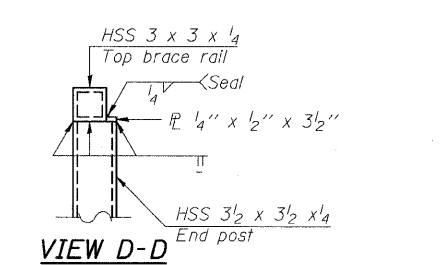
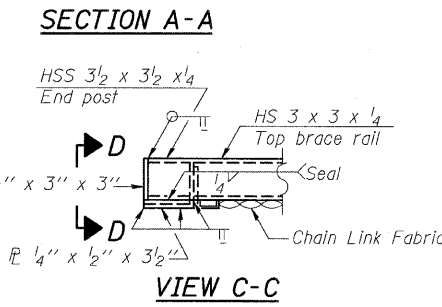
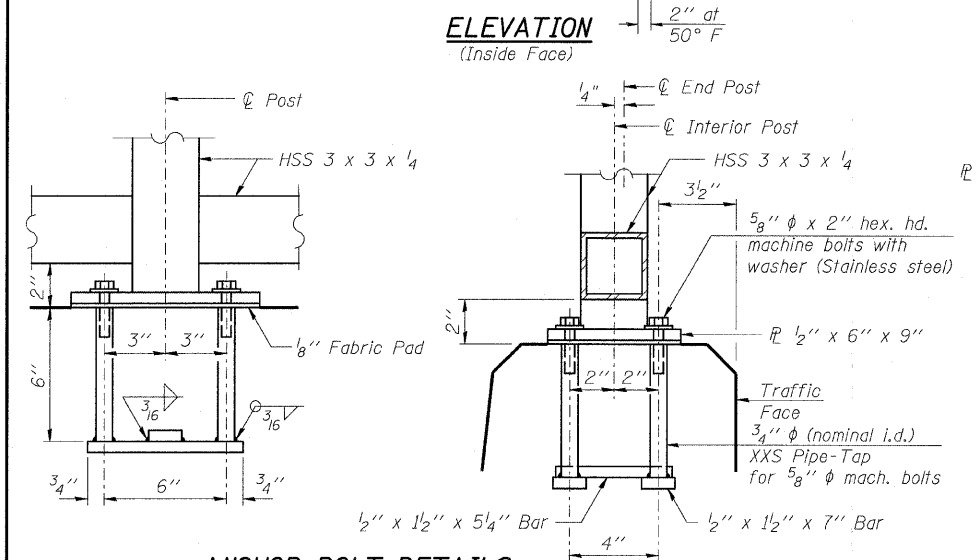
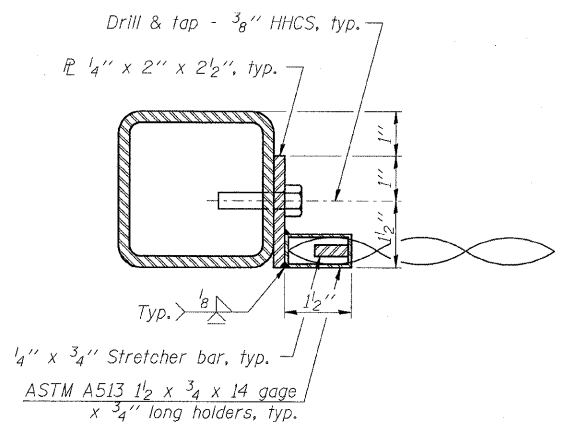
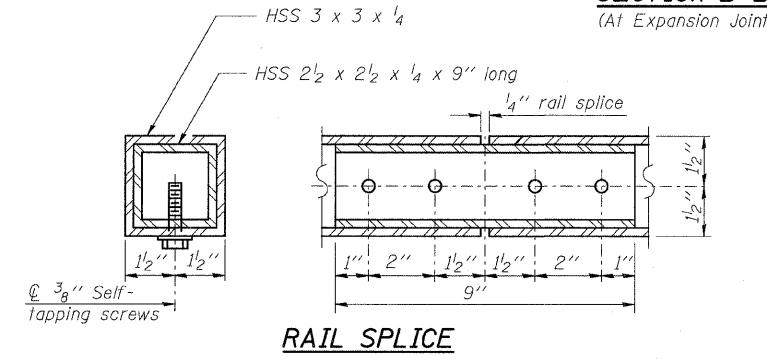
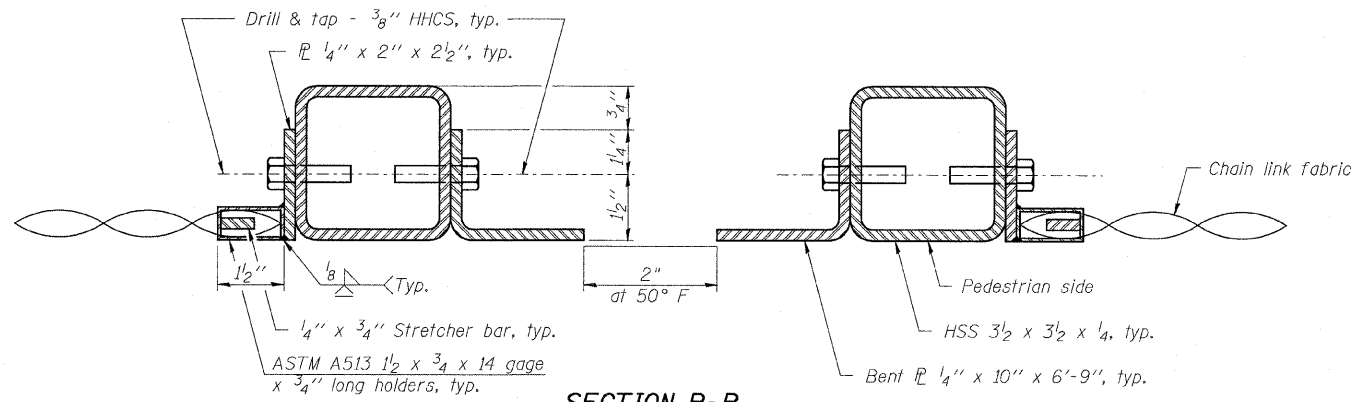
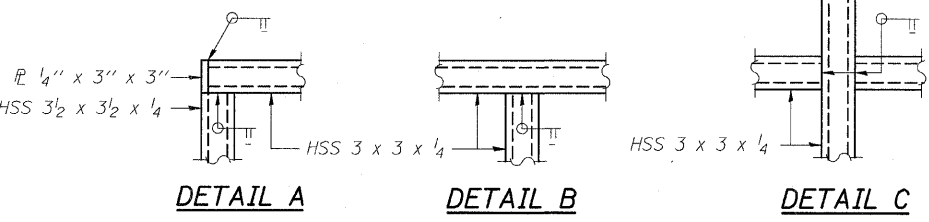
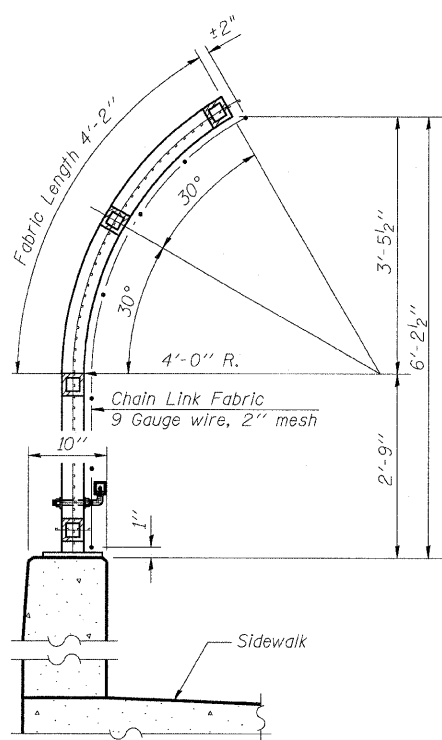
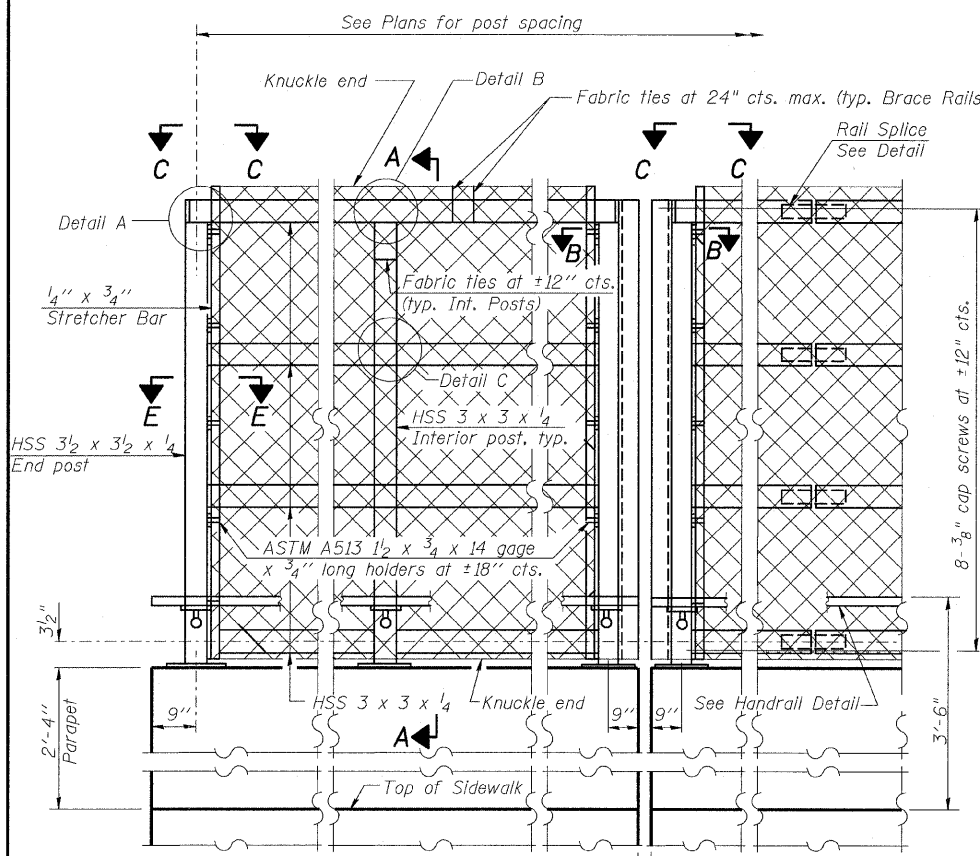


STATE OF ILLINOIS  
DEPARTMENT OF TRANSPORTATION

ROUTE NO.	SECTION	COUNTY	TOTAL SHEETS	SHEET NO.
FAI 57	★	COOK	75	41
FED. ROAD DIST. NO. 7		ILLINOIS	FED. AID PROJECT-	

Contract 60366  
★ 2122B

All steel rail elements shall be galvanized according to Article 509.05 of the Standard Specifications.



BILL OF MATERIAL

Item	Unit	Quantity
Bridge Fence Railing	Foot	532

DESIGNED	NDR
CHECKED	ERM
DRAWN	RTT
CHECKED	DSE
DATE	JAN 16, 2009

R-32 10-1-08

Illinois Firm Registration No. 84-00533

8501 West Higgins Road, Suite 730, Chicago, Illinois 60631-2801  
www.stanleygroup.com

BRIDGE FENCE RAILING PARAPET MOUNTED  
103RD STREET OVER  
FAI 57 (DAN RYAN-WEST LEG)  
FAI RTE 57 SECTION 2122B  
COOK COUNTY  
STA 5+47.40  
STRUCTURE NO 016-2127

C:\ES601\02\103\sh\sb\00215.dgn 5-JAN-2009