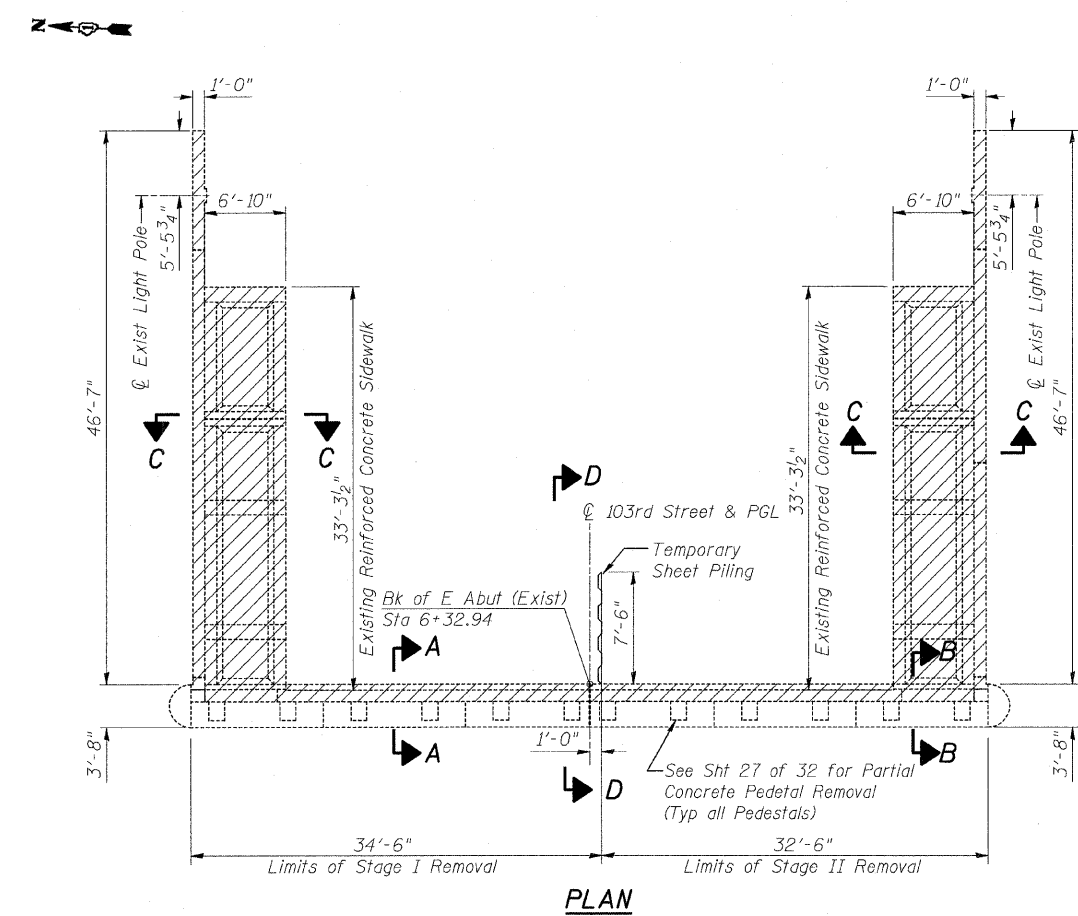


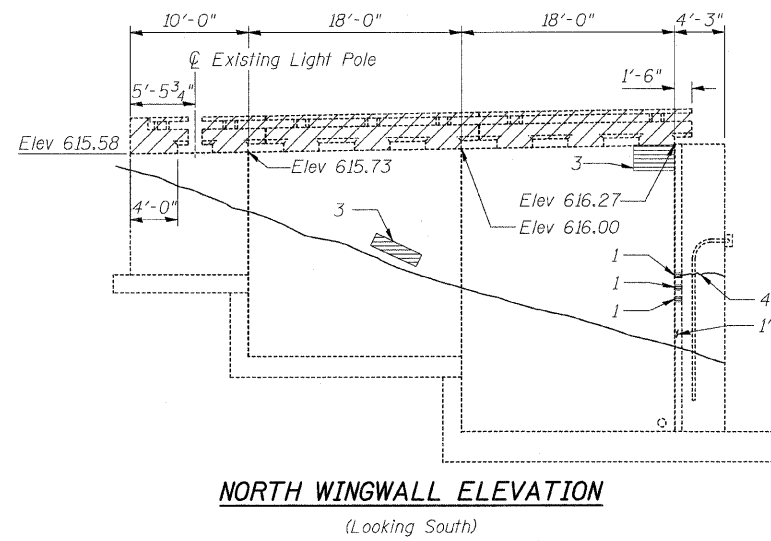
STATE OF ILLINOIS
DEPARTMENT OF TRANSPORTATION

ROUTE NO.	SECTION	COUNTY	TOTAL SHEETS	SHEET NO.	SHEET NO. 24
F.A.I. 57	★	COOK	75	50	32 SHEETS
FED. ROAD DIST. NO. 7	ILLINOIS	FED. AID PROJECT-			

Contract 60366
★ 2122B

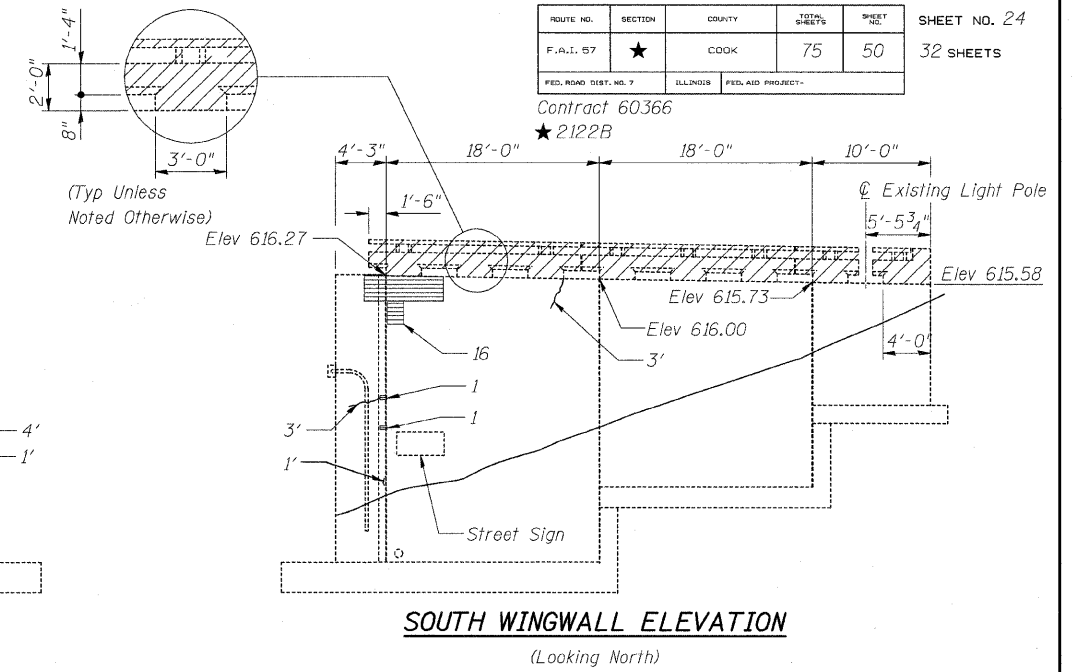


PLAN



NORTH WINGWALL ELEVATION

(Looking South)



SOUTH WINGWALL ELEVATION

(Looking North)

Notes:

- Existing vertical and horizontal reinforcement bars projecting from the abutment and wingwalls are to remain in place. Existing reinforcement shall be sandblasted clean, straightened and incorporated into the new construction. Cost included with Concrete Removal.
- Repair of the existing abutment shall include but not be limited to the areas shown. The actual areas to be repaired will be determined by the Engineer at the time of construction.
- If removal and remounting of the existing nameplate is required to facilitate concrete repair, payment will not be made separately, but shall be included with the payment for Structural Repair of Concrete.

Legend

- Indicates Limits of Concrete Removal
- Indicates Limits of Structural Repair of Concrete
- Indicates Length of Epoxy Crack Injection

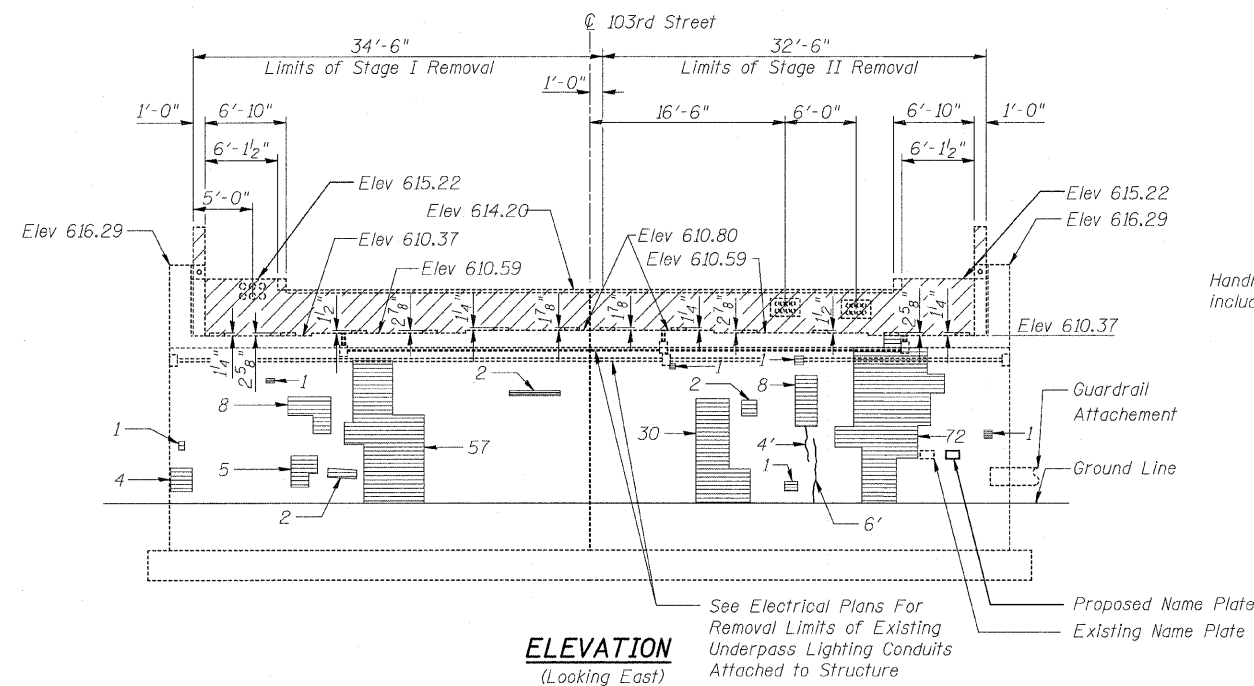
BILL OF MATERIAL

ITEM	UNIT	QUANTITY
Concrete Removal	Cu Yd	32
Temporary Sheet Piling	Sq Ft	116
Epoxy Crack Injection	Foot	22
Structural Repair of Concrete (Depth Greater than 5")	Sq Ft	22
Structural Repair of Concrete (Depth Equal to or Less than 5")	Sq Ft	201

Illinois Firm Registration No. 84-00533

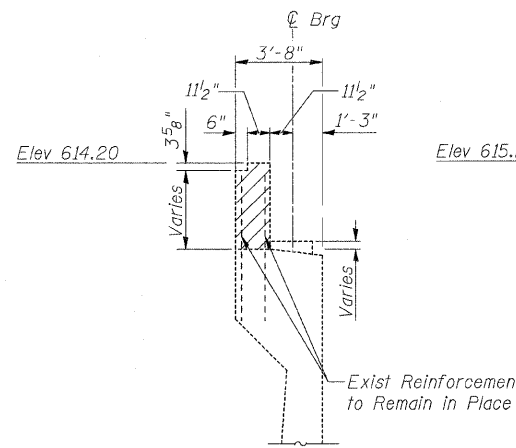
Stanley Consultants INC.
850 West Higgins Road, Suite 730, Chicago, Illinois 60631-2801
www.stanleygrp.com

EAST ABUTMENT REMOVAL & REPAIRS
103RD STREET OVER
FAI 57 (DAN RYAN-WEST LEG)
FAI RTE 57 SECTION 2122B
COOK COUNTY
STA 5+47.40
STRUCTURE NO 016-2127

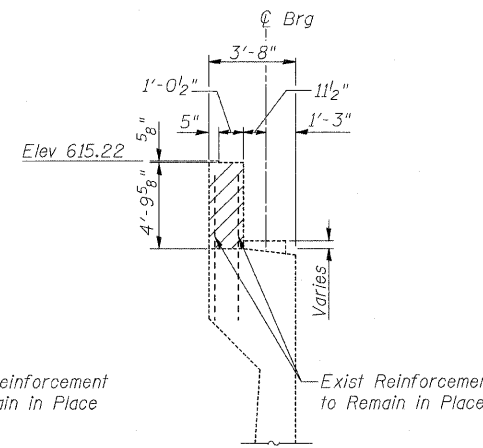


ELEVATION

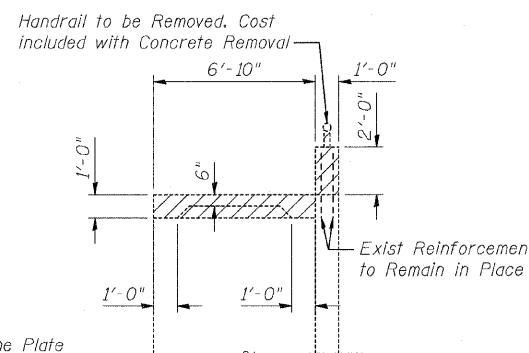
(Looking East)



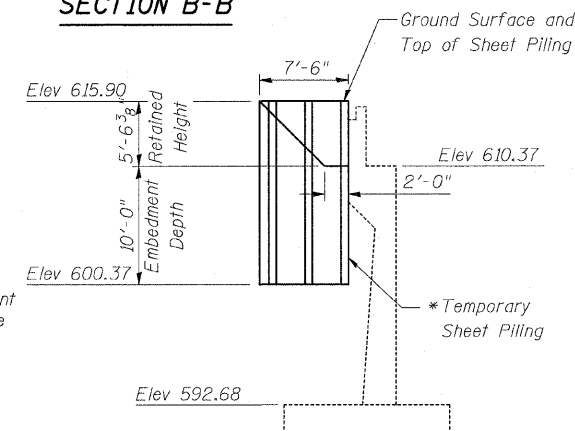
SECTION A-A



SECTION B-B



SECTION C-C



SECTION D-D

* Minimum required section modulus is 4.1 in³/ft.

If the Contractor chooses to alter the temporary cantilevered sheet piling design requirements shown on the plans, a design submittal including plan details and calculations will be required for review and acceptance by the Engineer.

DESIGNED	AAA
CHECKED	DSE
DRAWN	RD
CHECKED	DSE
DATE	JAN 16, 2009

Q:\15450\02_103\5HT\5br\00224.dgn 15-JAN-2009