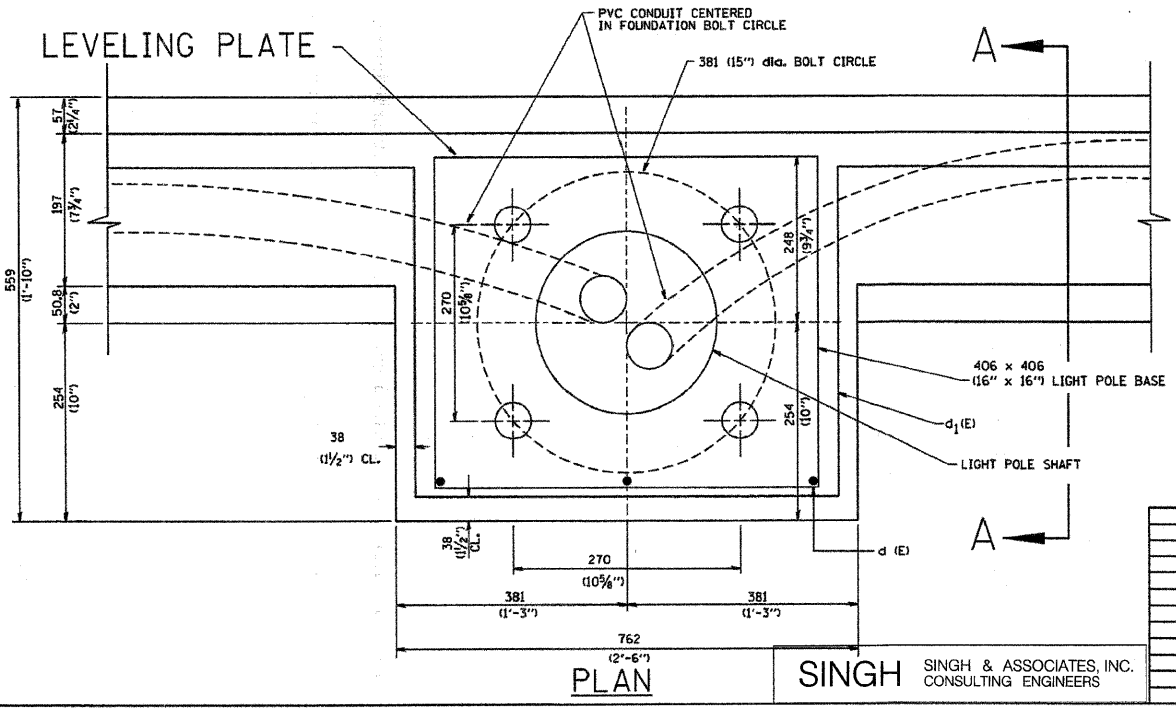
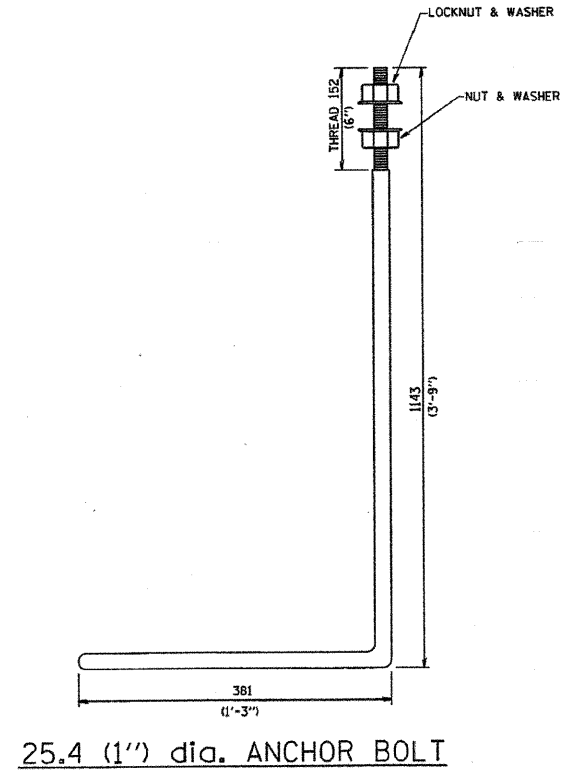
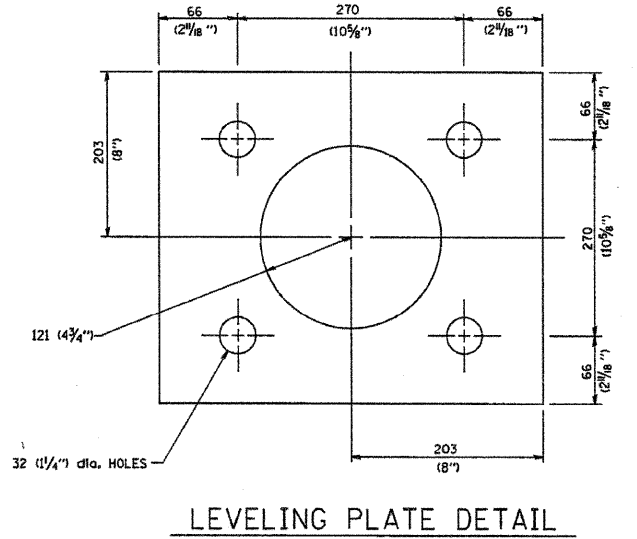
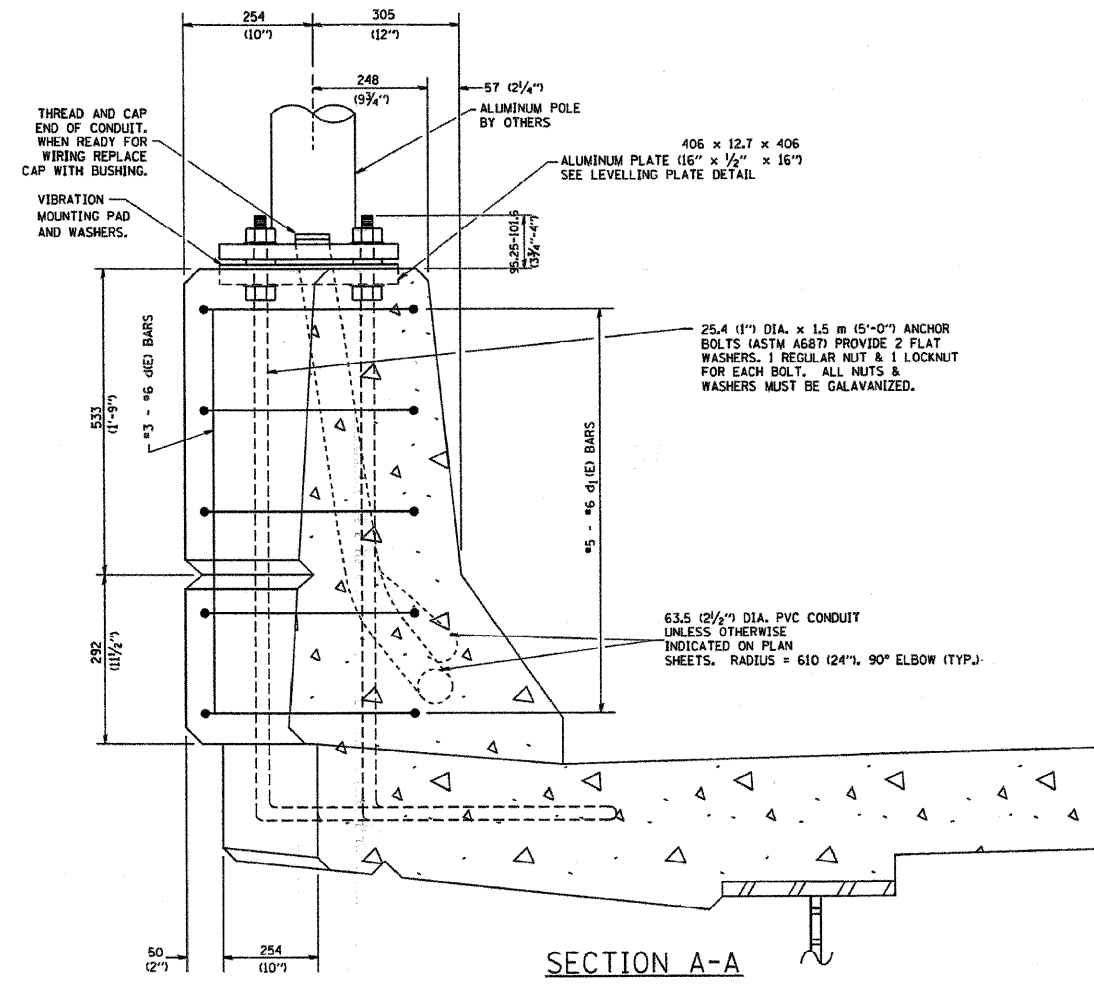
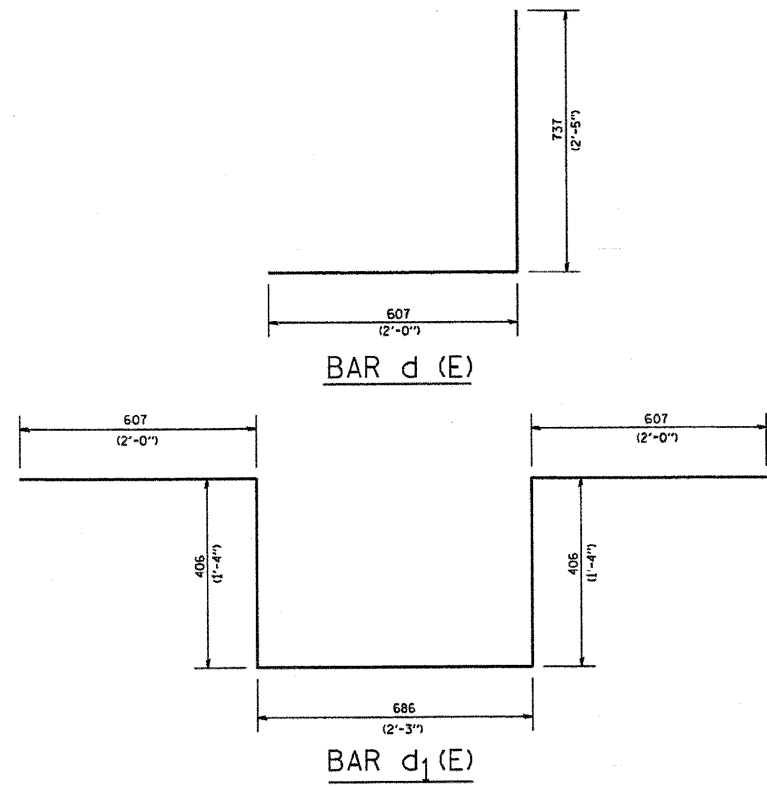


CONTRACT NO.				
F.A.I. RTE.	SECTION	COUNTY	TOTAL SHEETS	SHEET NO.
57	1919.2B	COOK	119	54
STA.		TO STA.		
FED. ROAD DIST. NO.		ILLINOIS FED. AID PROJECT		

CONTRACT #60371



- NOTES**
1. ALL DIMENSIONS ARE IN MILLIMETERS (INCHES) UNLESS OTHERWISE SHOWN.
 2. LEVEL LIGHT POLE PLATES, USING THE FLANGE NUTS, PRIOR TO POURING THE PARAPET WALL. THE TOP OF THE PLATE SHALL BE AT THE SAME ELEVATION AS THE FINISHED CONCRETE PARAPET.
 3. THE COST OF ANCHOR BOLTS, CONDUIT, LEVELLING PLATE AND FOUNDATION IS INCLUDED IN THE COST OF THE BRIDGE STRUCTURE.
 4. ANCHOR BOLTS SHALL BE 25mm (1") DIA., BOLT CIRCLE SHALL BE 292mm (11 1/2") DIA., EMBEDDED PVC CONDUIT SHALL BE 50mm (2") DIA.
 5. THIS DETAIL IS INCLUDED TO DEMONSTRATE INTENT OF INSTALLATION ONLY. SEE STRUCTURAL PLANS FOR DETAILED CONFIGURATION.

PLOT DATE = 2/15/2006
 PLOT SCALE = 40:9999 / IN.
 USER NAME = gajjarabdt

REVISIONS	
NAME	DATE

ILLINOIS DEPARTMENT OF TRANSPORTATION

LIGHT POLE MOUNTED ON CONCRETE PARAPET WALL

381 mm (15") BOLT CIRCLE

SCALE: NONE
 DATE: 2/15/2006

DRAWN BY
 CHECKED BY
 BE-330

SINGH SINGH & ASSOCIATES, INC. CONSULTING ENGINEERS