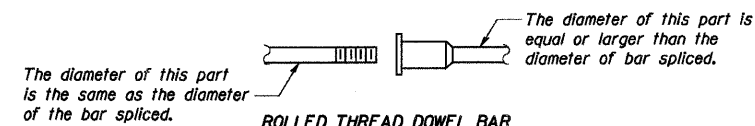


BAR SPLICER ASSEMBLY DETAIL

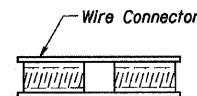
Bar Size	No. Assemblies Required	Location
#15	520	Superstructure
#15	16	E. & W. Abut.
#20	8	E. & W. Abut.



ROLLED THREAD DOWEL BAR



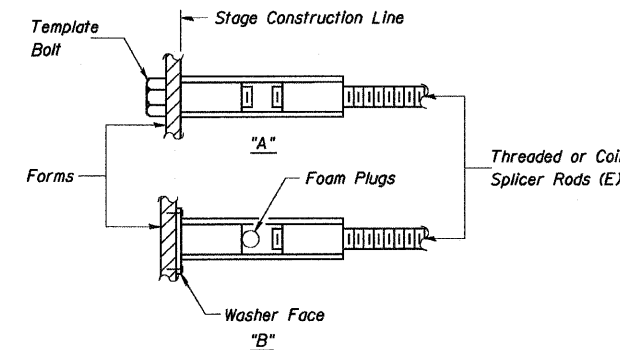
**** ONE PIECE**



WELDED SECTIONS

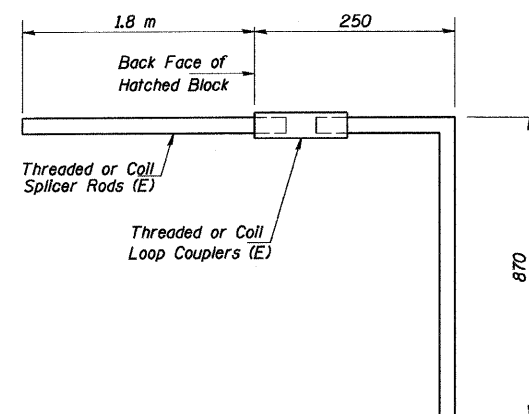
BAR SPLICER ASSEMBLY ALTERNATIVES

** Heavy Hex Nuts conforming to ASTM A 563M, Grade C, D or DH may be used.



INSTALLATION AND SETTING METHODS

"A": Set bar splicer assembly by means of a template bolt.
 "B": Set bar splicer assembly by nailing to wood forms or cementing to steel forms.
 (E) : Indicates epoxy coating.



BAR SPLICER ASSEMBLY DETAIL FOR #15 BAR AT ABUTMENTS

Bar Size	No. Assemblies Required	Location
#15	85	West Abutment
#15	85	East Abutment

NOTES

Bar splicer assemblies shall be of an approved type and shall develop in tension at least 125 percent of the yield strength of the lapped reinforcement bars. Splicer rods shall be of minimum 400 MPa yield strength, threaded or coiled full length. All reinforcement bars shall be lapped and tied to the splicer rods or dowel bars. Bar splicer assemblies shall be epoxy coated according to the requirements for reinforcement bars.

Other systems of similar design may be submitted to the Engineer for approval. Approval shall be based on certified test results from an approved testing laboratory that the proposed bar splicer assembly satisfies the following requirements:

- ① Minimum Capacity = $1.25 \times f_y \times A_1$
(Tension in kN)
- ② Minimum Pull-out Strength = $0.66 \times f_y \times A_1$
(Tension in kN)

Where f_y = Yield strength of lapped reinforcement bars in MPa.
 A_1 = Tensile stress area of lapped reinforcement bars (mm^2).
 *** = 28 day concrete

Bar Size to be Spliced	Splicer Rod or Dowel Bar Length	Strength Requirements	
		Min. Capacity kN - tension	Min. Pull-Out Strength kN - tension
#15	510 mm	70	40
#20	610 mm	110	60

Bar splicer assemblies shall be according to Section 508 of the Standard Specifications, except as noted. The furnishing and installation of bar splicer assemblies will be measured and paid for at the contract unit price each for "BAR SPLICERS."
 All dimensions are in millimeters (mm) except as noted.

REVISIONS	
NAME	DATE