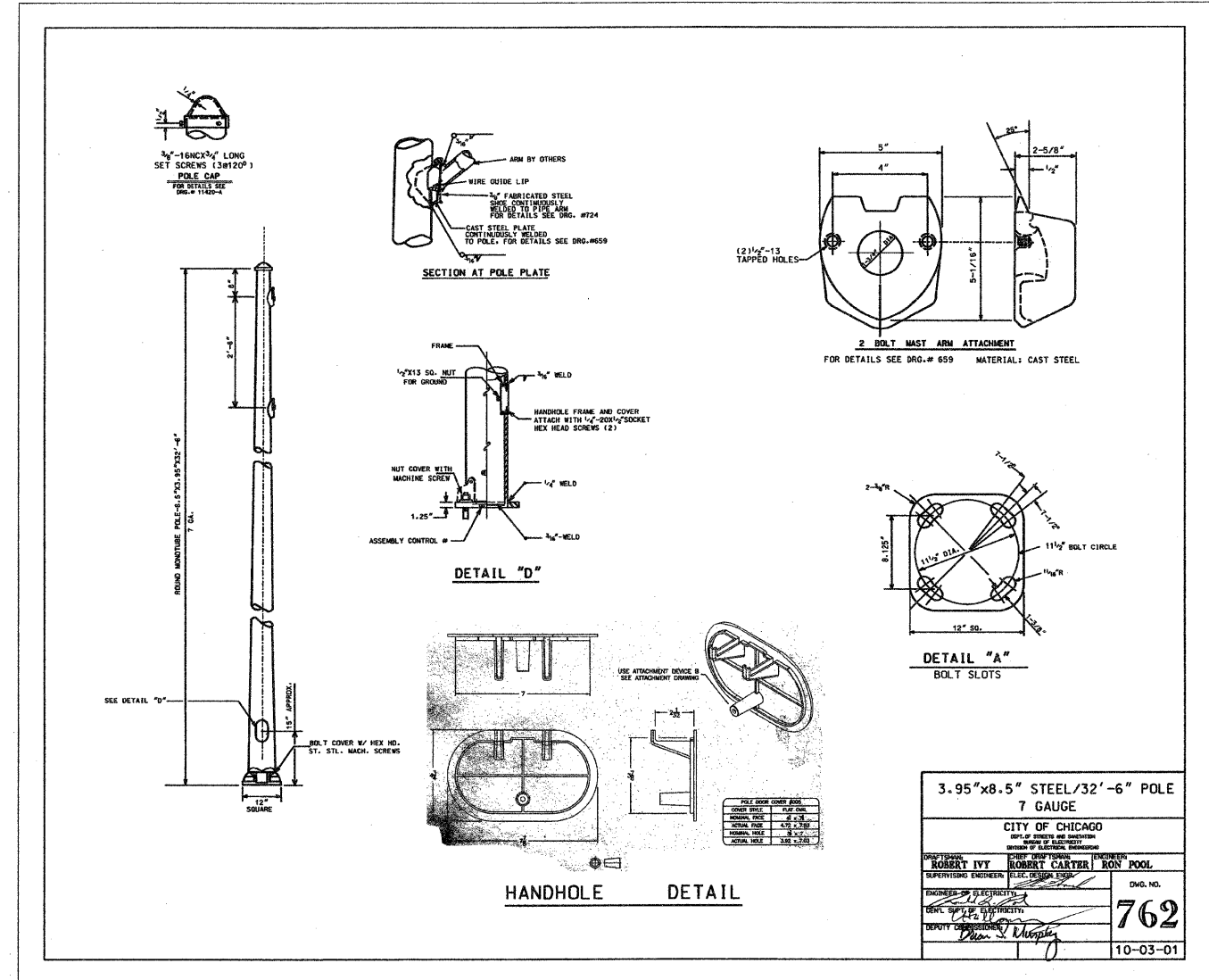


03-01-02	REDRAWN
<b>TWO BOLT MAST ARM ATTACHMENT (BRACKET DETAILS)</b>	
CITY OF CHICAGO DEPT. OF STREET AND SANITATION DIVISION OF ELECTRICAL ENGINEERING	
DESIGNED BY ROBERT IVY	DESIGNED BY ROBERT CARTER
SUPERVISING ENGINEER ELIC. DESIGN ENGR.	DESIGNED BY RON POOL
ENGINEER OF ELECTRICITY ELIC. DESIGN ENGR.	DWG. NO. <b>724</b>
DEPT. OF ELECTRICAL ENGINEERING CHICAGO, ILLINOIS 60631	DATE: 03-01-73
SCALE: NONE	



<b>3.95"x8.5" STEEL/32'-6" POLE 7 GAUGE</b>	
CITY OF CHICAGO DEPT. OF STREET AND SANITATION DIVISION OF ELECTRICAL ENGINEERING	
DESIGNED BY ROBERT IVY	DESIGNED BY ROBERT CARTER
SUPERVISING ENGINEER ELIC. DESIGN ENGR.	DESIGNED BY RON POOL
ENGINEER OF ELECTRICITY ELIC. DESIGN ENGR.	DWG. NO. <b>762</b>
DEPT. OF ELECTRICAL ENGINEERING CHICAGO, ILLINOIS 60631	DATE: 10-03-01

17:16:12 14 JAN 2009  
 I:\PROJECTS\Projects 2000\PatrickEng\soy\0\DETAILS\2007\A3\_21of\_71\_Citydetail2.dgn

**GANDHI AND ASSOCIATES, INC.**  
 ENGINEERS AND PLANNERS  
 6035 N. NORTHWEST HIGHWAY  
 SUITE 306  
 CHICAGO, ILLINOIS 60631 TEL. (773) 774-5980

REVISIONS	
NAME	DATE

ILLINOIS DEPARTMENT OF TRANSPORTATION  
  
 CITY OF CHICAGO  
 BUREAU OF ELECTRICITY  
 LIGHTING STANDARDS  
 SAYRE AVENUE OVER  
 INTERSTATE 90 (KENNEDY EXPRESSWAY)

SCALE: NONE  
 DATE: 2/1/2008

DRAWN BY: MAE  
 CHECKED BY: MK/PKG