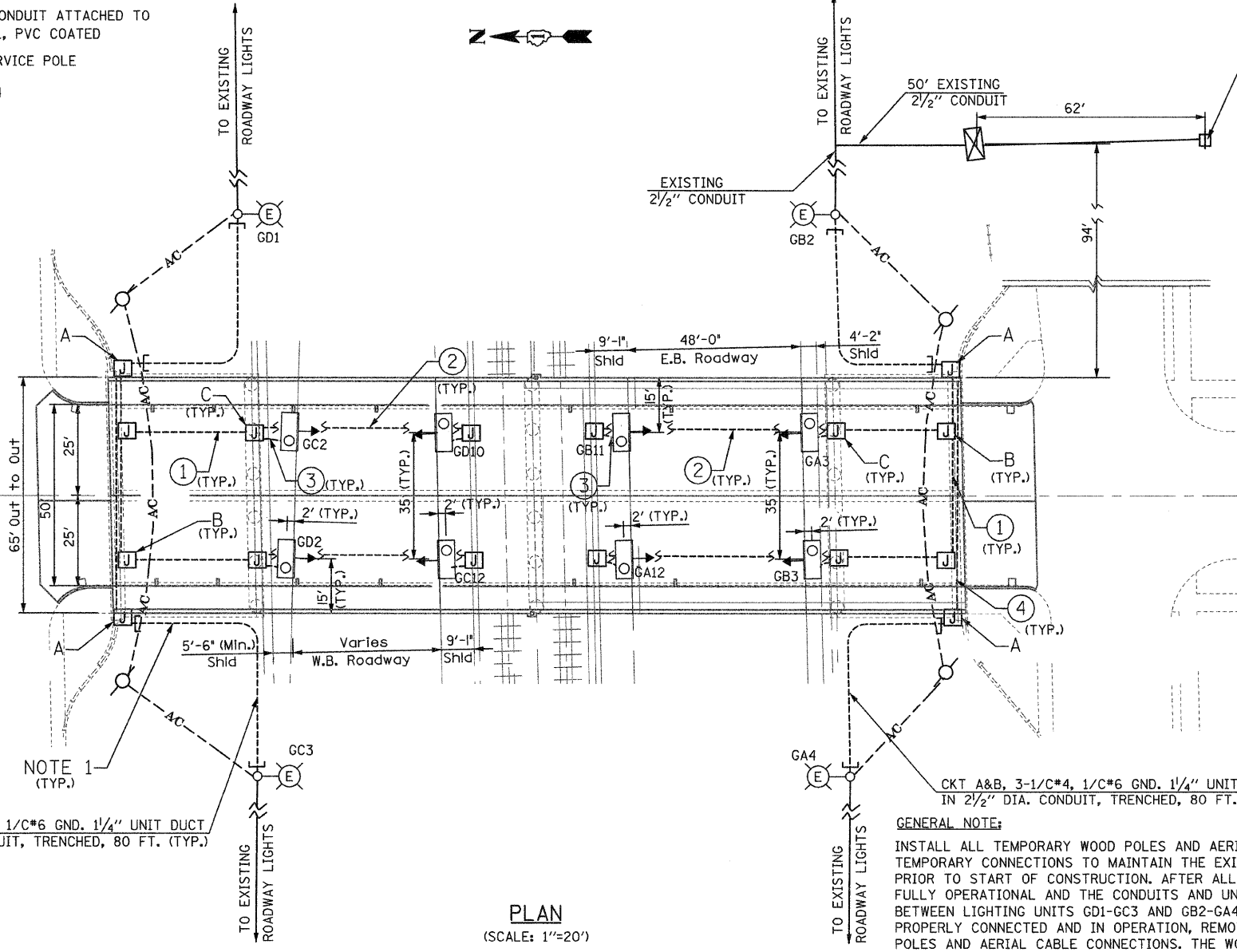
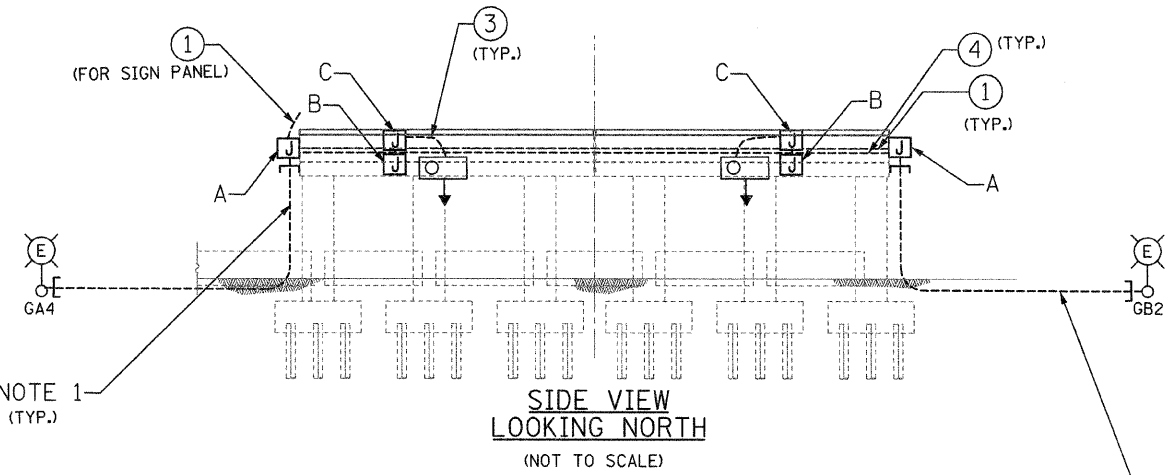
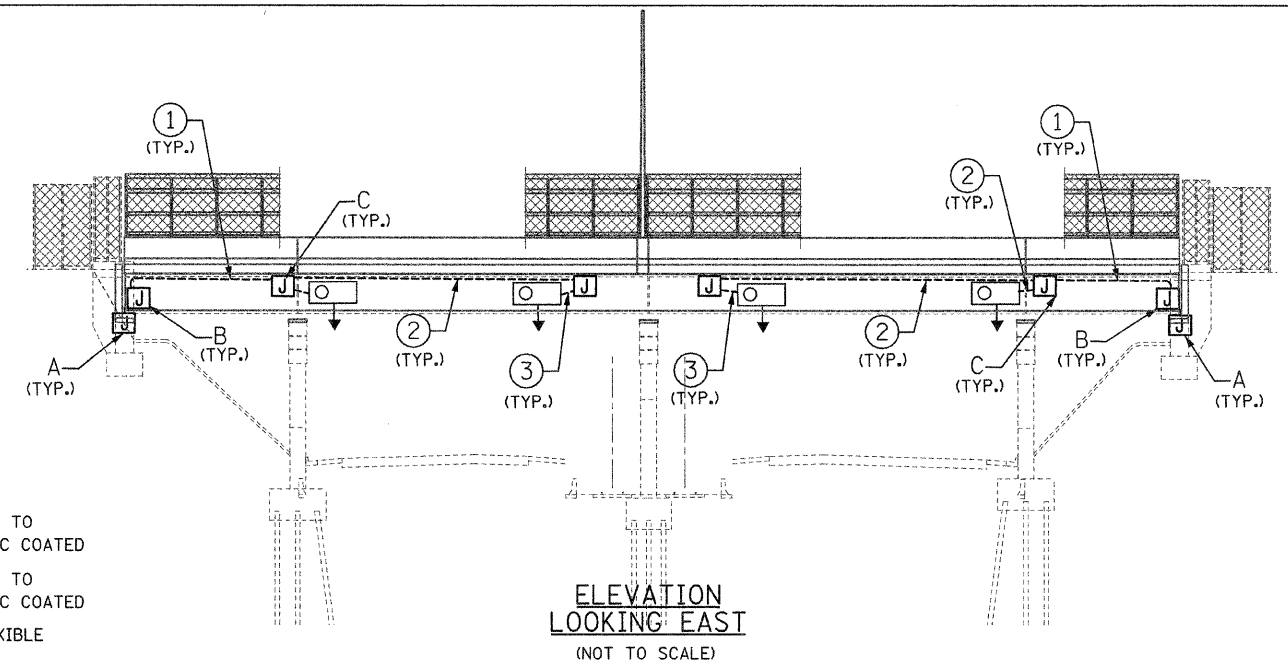


- LEGEND**
- UNDERPASS LUMINAIRE, 70 WATT, HIGH PRESSURE SODIUM
 - JUNCTION BOX, ATTACHED TO STRUCTURE, 16" X 14" X 6"
 - JUNCTION BOX, ATTACHED TO STRUCTURE, 12" X 10" X 6"
 - JUNCTION BOX, ATTACHED TO STRUCTURE, 6" X 6" X 4"
 - 3/C*10, 1/C*10 GND. IN CONDUIT ATTACHED TO STRUCTURE, 1" DIA. GALVANIZED STEEL, PVC COATED
 - 2/C*10, 1/C*10 GND. IN CONDUIT ATTACHED TO STRUCTURE, 1" DIA. GALVANIZED STEEL, PVC COATED
 - 2/C*10, 1/C*10 GND. IN LIQUID TIGHT FLEXIBLE METALLIC CONDUIT, 3/4 INCH (SEE NOTE 2)
 - 3/C*4, 1/C*6 GND. 1/4" UNIT DUCT IN CONDUIT ATTACHED TO STRUCTURE, 2 1/2" DIA. GALVANIZED STEEL, PVC COATED
 - EXISTING COMMONWEALTH EDISON CO. SERVICE POLE
 - TEMPORARY WOOD POLE, 60 FT., CLASS 4
 - EXISTING LIGHTING POLE
 - TEMPORARY AERIAL CABLE, 3/C*2, W/MW
 - EXISTING LIGHTING CONTROLLER CABINET "G"



UNDERPASS LIGHTING SUMMARY OF QUANTITIES

DESCRIPTION	ITEM QUANTITY	
	UNIT	QUANTITY
CONDUIT IN TRENCH, 2 1/2" DIA., GALVANIZED STEEL	FOOT	320
JUNCTION BOX, STAINLESS STEEL, ATTACHED TO STRUCTURE, 6" X 6" X 4"	EACH	8
JUNCTION BOX, STAINLESS STEEL, ATTACHED TO STRUCTURE, 12" X 10" X 6"	EACH	4
JUNCTION BOX, STAINLESS STEEL, ATTACHED TO STRUCTURE, 16" X 14" X 6"	EACH	4
ELECTRIC CABLE IN CONDUIT, 600V (EPR-TYPE RHW) 1/C NO. 10	FOOT	1784
AERIAL CABLE, 3-1/C NO. 2 WITH MESSENGER WIRE	FOOT	370
TRENCH AND BACKFILL FOR ELECTRICAL WORK	FOOT	320
UNDERPASS LUMINAIRE, 70 WATT, HIGH PRESSURE SODIUM VAPOR	EACH	8
LIGHT POLE, WOOD, 60 FOOT, CLASS 4	EACH	4
CONDUIT ATTACHED TO STRUCTURE, 2 1/2" DIA. GALVANIZED STEEL, PVC COATED	FOOT	140
CONDUIT ATTACHED TO STRUCTURE, 1" DIA. RIGID GALVANIZED STEEL, PVC COATED	FOOT	181
UNIT DUCT, WITH 3-1/C NO. 4 AND 1/C NO. 6 GROUND, 600V (EPR-TYPE RHW), 1/4" DIA., POLYETHYLENE	FOOT	372
PROTECTION AND MAINTENANCE OF EXISTING UNDERPASS LIGHTING	L SUM	1
REMOVE EXISTING UNDERPASS LUMINAIRE, NO SALVAGE	EACH	8
REMOVE TEMPORARY WOOD POLE	EACH	4
MAINTENANCE OF LIGHTING SYSTEM	CAL MO	7

- NOTE 1: THIS CONDUIT RUNS ALONG THE EMBANKMENT SLOPE IN THE TRENCH PARALLEL TO AND IN CLOSE PROXIMITY OF ABUTMENT WALL.
- NOTE 2: QUANTITY OF LIQUID TIGHT FLEXIBLE METALLIC CONDUIT 3/4 INCH IS INCIDENTAL TO THE UNDERPASS LUMINAIRE.
- NOTE 3: THE CONTRACTOR SHALL ISOLATE THE UNDERPASS LIGHTING SYSTEM WITH FUSING DURING THE CONSTRUCTION PERIOD.

GENERAL NOTE:
 INSTALL ALL TEMPORARY WOOD POLES AND AERIAL CABLES AND MAKE ALL TEMPORARY CONNECTIONS TO MAINTAIN THE EXISTING LIGHTING ALONG I-90, PRIOR TO START OF CONSTRUCTION. AFTER ALL PROPOSED LIGHTING IS MADE FULLY OPERATIONAL AND THE CONDUITS AND UNIT DUCT IN CONDUIT BETWEEN LIGHTING UNITS GD1-GC3 AND GB2-GA4 ARE INSTALLED AND PROPERLY CONNECTED AND IN OPERATION, REMOVE ALL TEMPORARY WOOD POLES AND AERIAL CABLE CONNECTIONS. THE WOOD POLES, AERIAL CABLES, CONDUITS AND UNIT DUCT IN CONDUIT ARE PAID FOR SEPARATELY AND SHALL INCLUDE ALL TEMPORARY CONNECTIONS AND MATERIALS NECESSARY.

REVISIONS	
NAME	DATE

ILLINOIS DEPARTMENT OF TRANSPORTATION

UNDERPASS LIGHTING
 SAYRE AVENUE OVER
 INTERSTATE 90 (KENNEDY EXPRESSWAY)

SCALE: AS NOTED
 DATE: 2/1/2008

DRAWN BY: BC/MAE
 CHECKED BY: MK

PROJECT: I-90/94 Interchange 2007/2008 Design 2008, 01/15/08 and Spec 02/08 of TLD07/Underpass2007.dgn
 14 JAN 2009