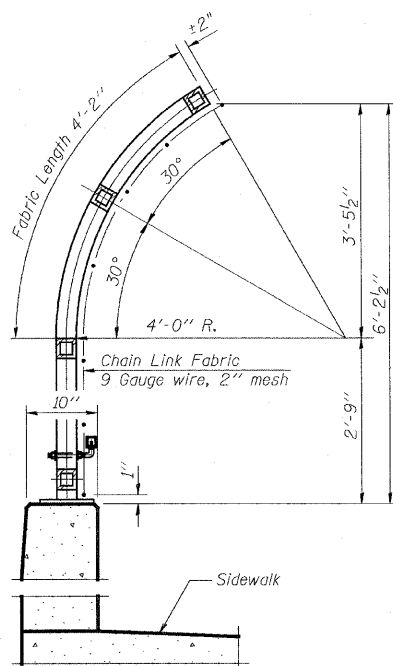
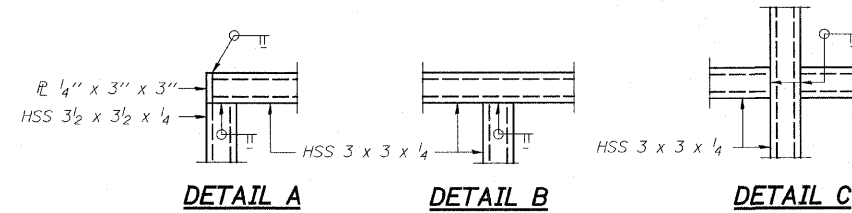


ELEVATION
(Inside Face)



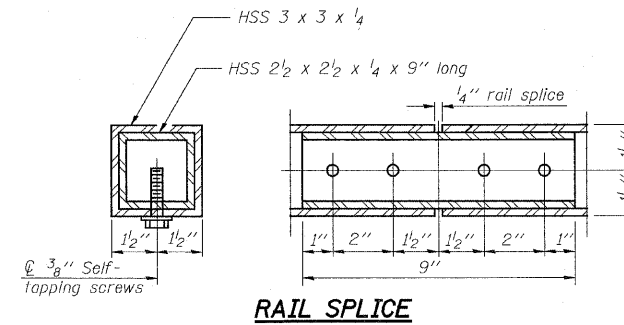
SECTION A-A



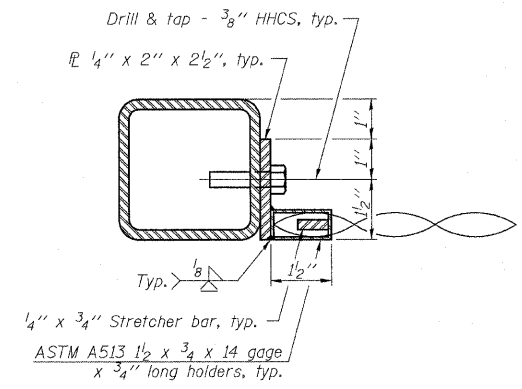
DETAIL A

DETAIL B

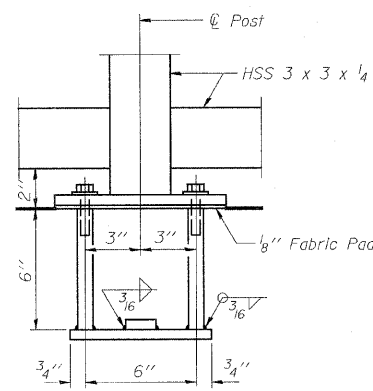
DETAIL C



RAIL SPLICE

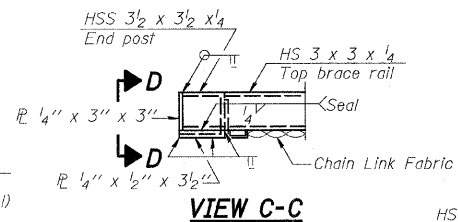
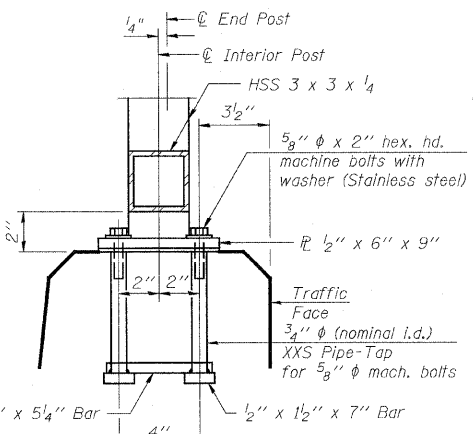


SECTION E-E

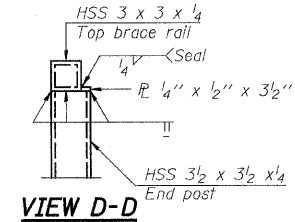


ANCHOR BOLT DETAILS

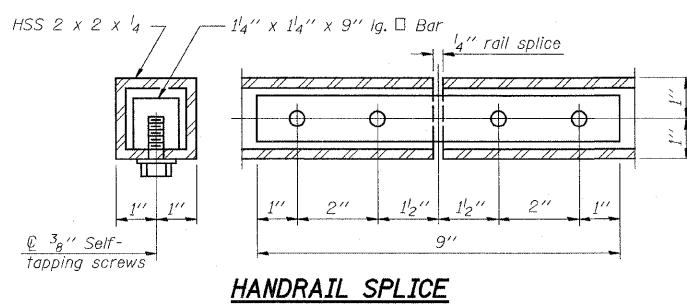
In lieu of the cast-in-place anchor device shown, the Contractor has the option of drilling and setting 5/8\"/>



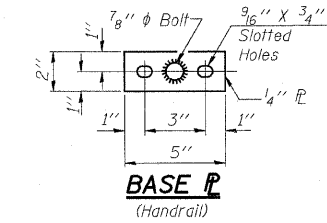
VIEW C-C



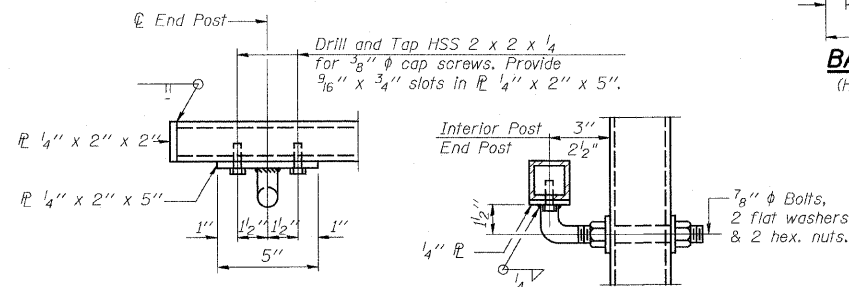
VIEW D-D



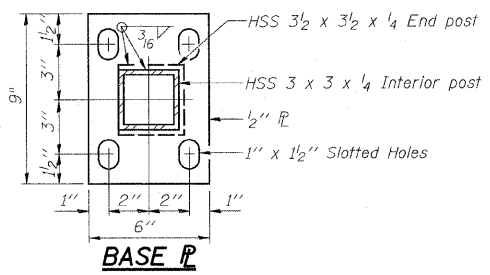
HANDRAIL SPLICE



BASE P
(Handrail)



HANDRAIL DETAIL



BASE P

NOTES

All steel rail elements shall be galvanized according to Article 509.05 of the Standard Specifications.

BILL OF MATERIAL

Item	Unit	Quantity
Bridge Fence Railing	Foot	459

REVISIONS	
NAME	DATE

ILLINOIS DEPARTMENT OF TRANSPORTATION
 BRIDGE FENCE RAILING
 FA ROUTE 173 (SAYRE AVENUE) OVER
 INTERSTATE 90 (KENNEDY EXPRESSWAY)
 COOK COUNTY STATION 8+02.48
 SECTION 267-1414-15D
 STRUCTURE NO. 016-1104

SCALE: NONE DRAWN BY: R. Clinton
 DATE: DEC. 2007 CHECKED BY: G. Hatlestad