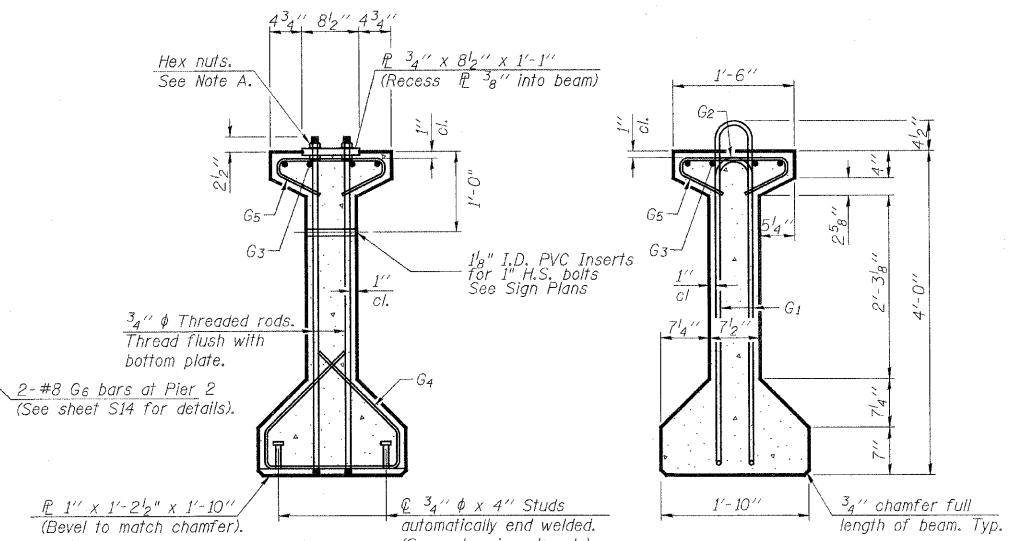


ELEVATION OF BEAM
(Showing reinforcement & dimensions)

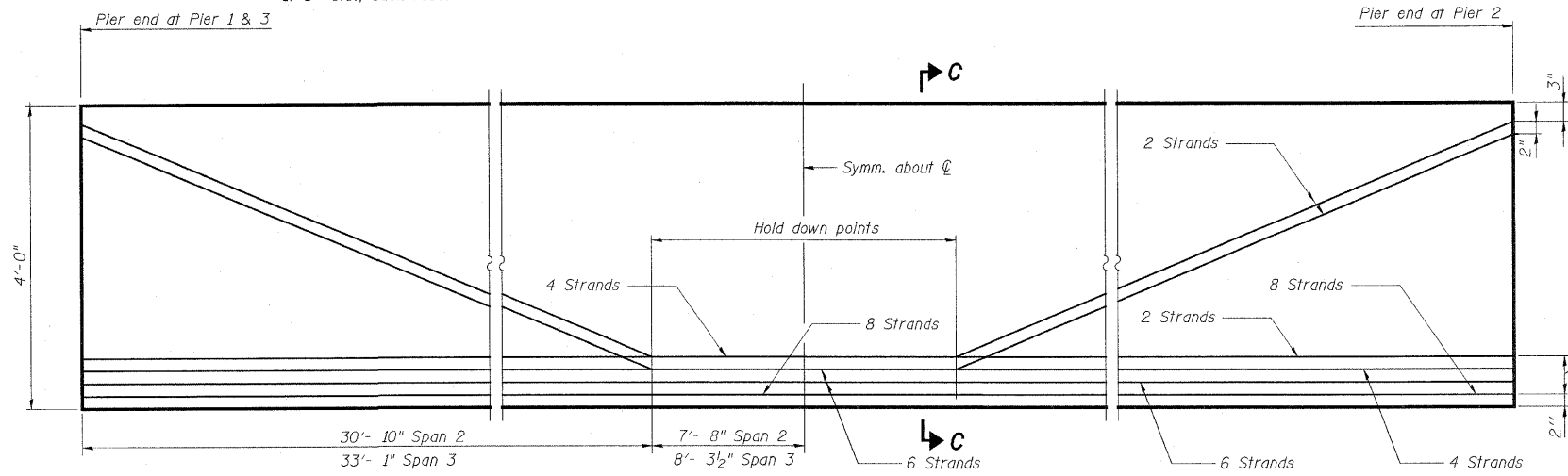
* 3 spaces at 3" = 9".
** 4- 3/4" φ threaded dowel rods at 3" cts., each face.

Note A:
Hex nuts (top and bottom) with lock washers (top). Only tighten sufficiently to compress lock washers.

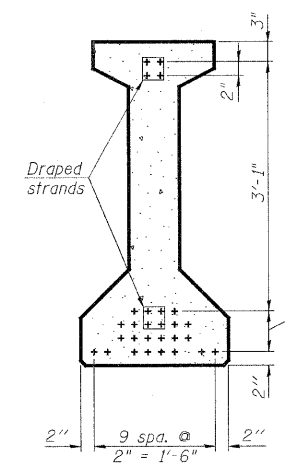


SECTION A-A

SECTION B-B



ELEVATION OF BEAM
(Showing prestressing steel)



SECTION C-C

*****SPAN 2 BAR LIST
ONE BEAM ONLY**

Bar	No.	Size	Length	Shape
G ₁	107	#4	9'-6"	NL
G ₂	12	#4	7'-11"	N
G ₃	12	#7	27'-10"	N
G ₄	38	#3	5'-3"	N
G ₅	77	#3	2'-9"	N
G ₆	4	#8	3'-9"	J

*** For information only

*****SPAN 3 BAR LIST
ONE BEAM ONLY**

Bar	No.	Size	Length	Shape
G ₁	123	#4	9'-6"	NL
G ₂	12	#4	7'-11"	N
G ₃	12	#7	29'-9"	N
G ₄	38	#3	5'-3"	N
G ₅	83	#3	2'-9"	N
G ₆	4	#8	3'-9"	J

*** For information only

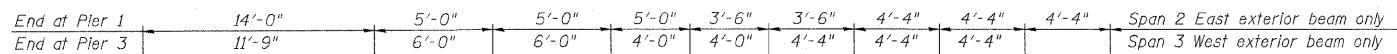
BILL OF MATERIAL

Item	Unit	Total
Furnishing and Erecting Precast Prestressed Concrete I-Beams, 48"	Ft.	1,598

ILLINOIS DEPARTMENT OF TRANSPORTATION
PRESTRESSED BEAM DETAILS
SPANS 2 & 3
FA ROUTE 173 (SAYRE AVENUE) OVER INTERSTATE 90 (KENNEDY EXPRESSWAY)
COOK COUNTY STATION 8+02.48
SECTION 267-1414-15D
STRUCTURE NO. 016-1104
SCALE: NONE DRAWN BY: R. Clinton
DATE: 1/20/09 CHECKED BY: PML

REVISIONS	
NAME	DATE

Notes:
See sheet S14 for additional details.
Required release strength, f'ci, shall be 5000 psi.



ELEVATION OF BEAM
(Showing PVC Inserts)