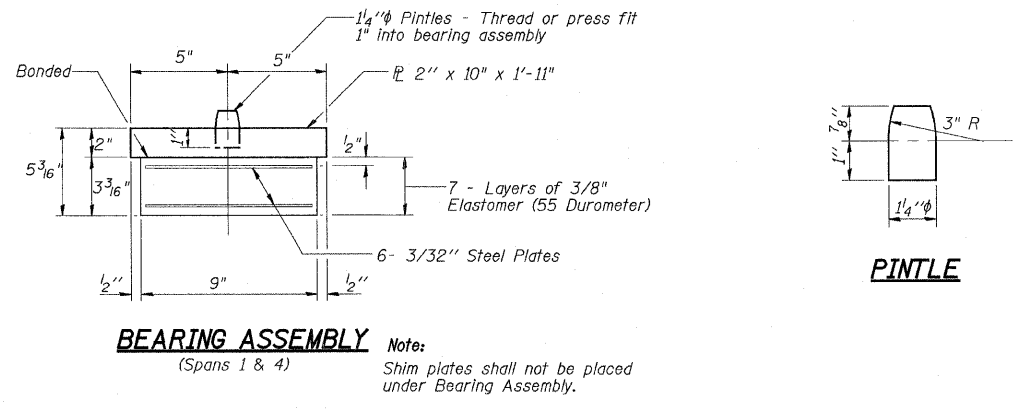
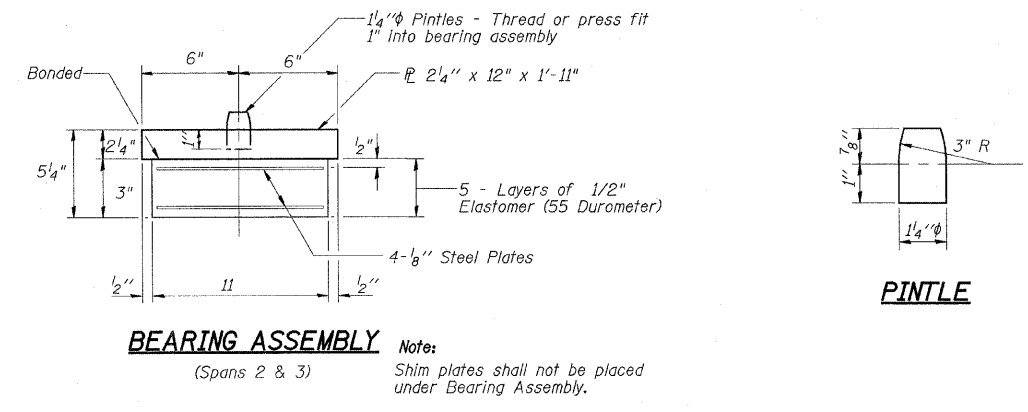
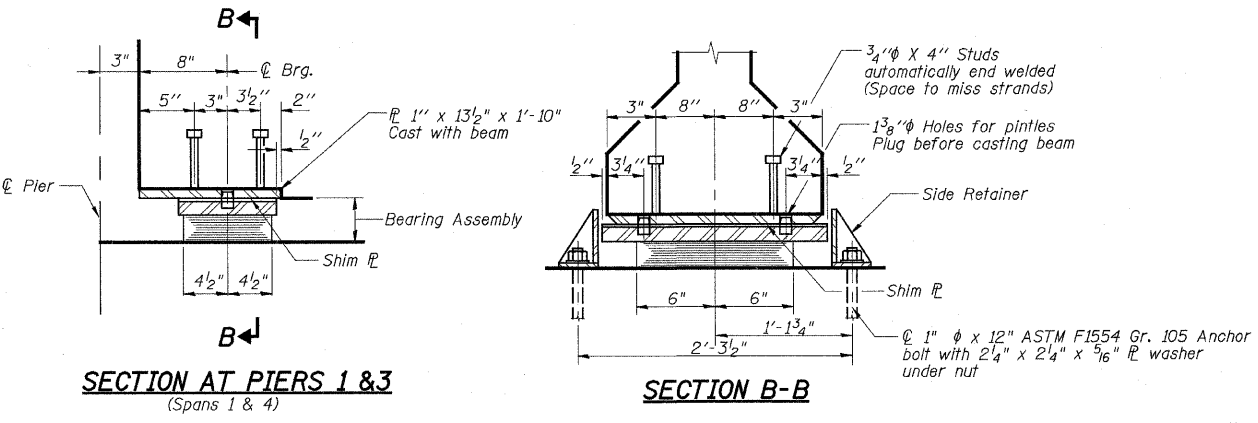
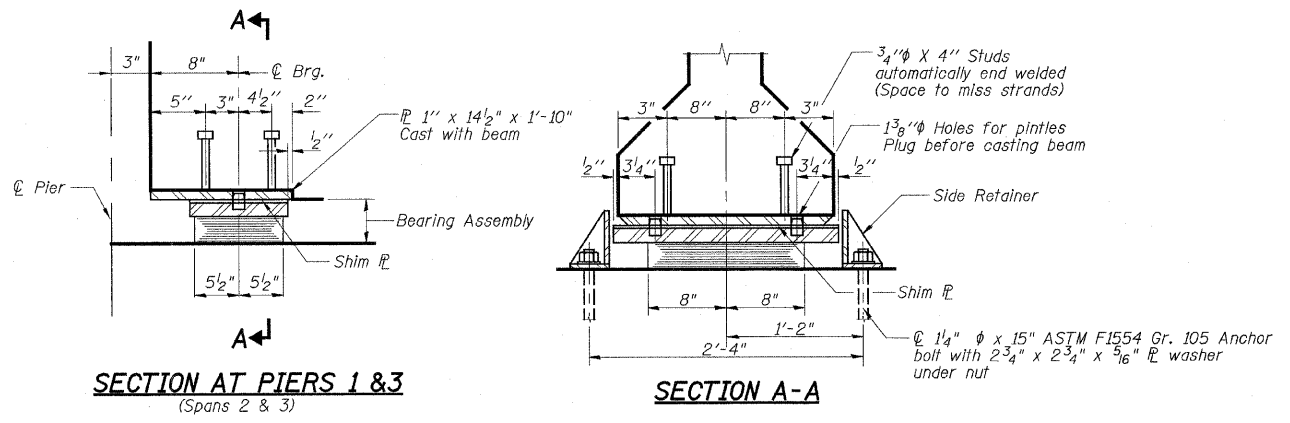
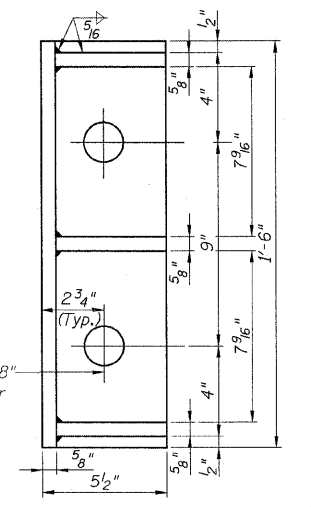


F.A.I. RTE.	SECTION	COUNTY	TOTAL SHEETS	SHEET NO.
90	1414B	COOK	74	45
FED. ROAD DIST. NO. 7 ILLINOIS FED. AID PROJECT				

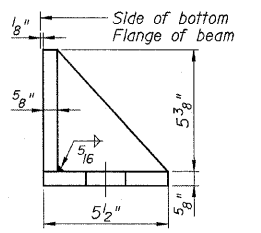
CONTRACT NO. 60384



Ø 1 3/4" Hole for 1 1/2" x 18" ASTM F1554 Gr. 105 Anchor Bolt with 3" x 3" x 5/16" Washer under nut (Typ.)



SIDE RETAINER FOR PIER 2 PLAN



SIDE RETAINER FOR PIER 2 ELEVATION

Equivalent rolled angle with stiffeners will be allowed in lieu of welded plates.

- Notes:**
- After beams have been erected holes at expansion bearings shall be drilled and anchor bolts grouted in place.
 - All embedded and separate bearing plates, side retainers, anchor bolts, nuts, washers and pintles shall be galvanized according to AASHTO M111 or M232 (as applicable).
 - H.S. bolts in bearing assembly shall be galvanized according to AASHTO M298.
 - Side retainers and other steelmembers required for the bearing assembly shall be included in the cost of Elastomeric Bearing Assembly, Type I.
 - Anchor bolts shall be ASTM F1554 all-thread (or an Engineer-approved alternate material) of the grade(s) and diameter(s) specified. ASTM A307 Grade C anchor bolts may be used in lieu of ASTM F1554 Grade 36 (Fy=36ksi). The corresponding specified grade of AASHTO M314 anchor bolts may be used in lieu of ASTM F1554.
 - Drilled and set anchor bolts shall be installed according to Article 521.06 of the Standard Specifications.

SIDE RETAINER
Equivalent rolled angle with stiffeners will be allowed in lieu of welded plates.

SIDE RETAINER
Equivalent rolled angle with stiffeners will be allowed in lieu of welded plates.

TYPE I ELASTOMERIC EXP. BRG.
(Spans 2 & 3)

TYPE I ELASTOMERIC EXP. BRG.
(Spans 1 & 4)

BILL OF MATERIAL

Item	Unit	Total
Elastomeric Bearing Assembly, Type I	Each	40
Anchor Bolts, 1 1/4"	Each	80
Anchor Bolts, 1 1/2"	Each	4

REVISIONS	
NAME	DATE

ILLINOIS DEPARTMENT OF TRANSPORTATION
 BEARING DETAILS I
 FA ROUTE 173 (SAYRE AVENUE) OVER INTERSTATE 90 (KENNEDY EXPRESSWAY)
 COOK COUNTY STATION 8+02.48
 SECTION 267-1414-15D
 STRUCTURE NO. 016-1104
 SCALE: NONE DRAWN BY: R. Clinton
 DATE: DEC. 2007 CHECKED BY: R. Kaye