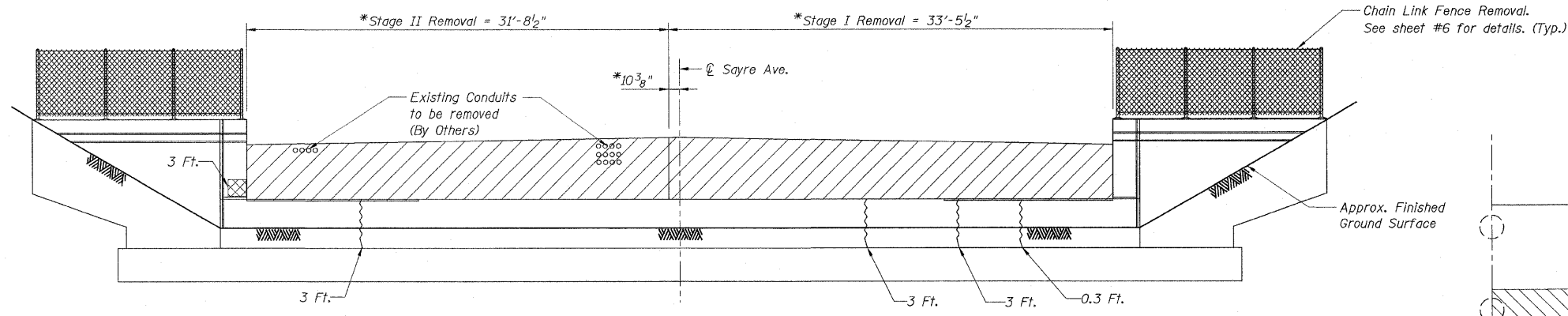
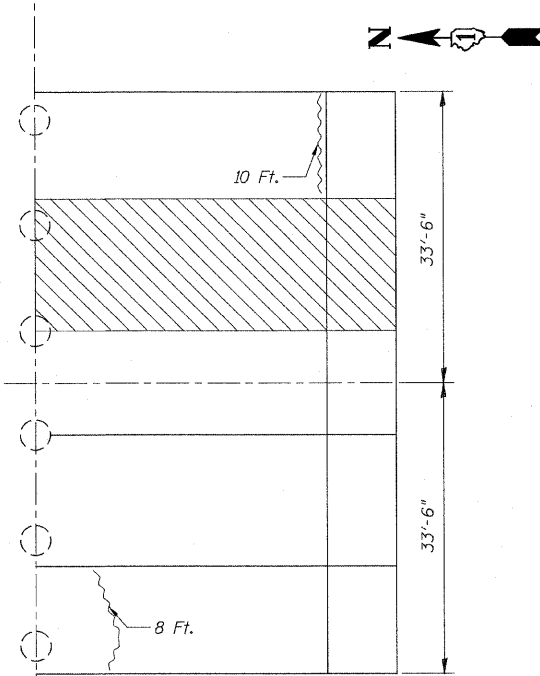


F.A.I. RTE.	SECTION	COUNTY	TOTAL SHEETS	SHEET NO.
90	1414B	COOK	74	48
FED. ROAD DIST. NO. 7		ILLINOIS FED. AID PROJECT		

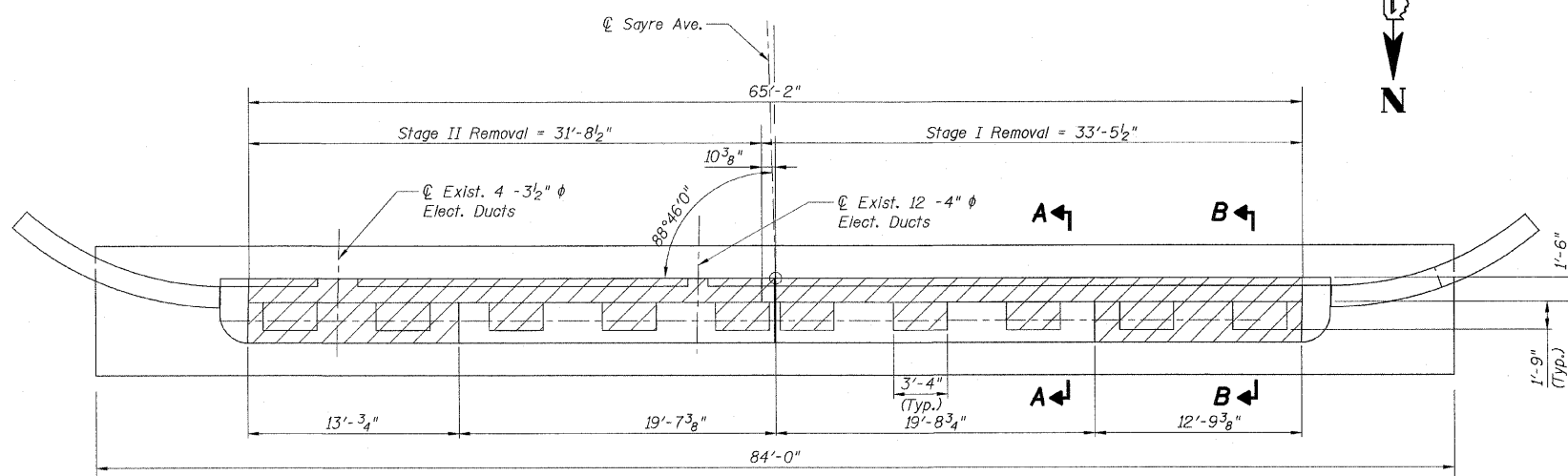
CONTRACT NO. 60384



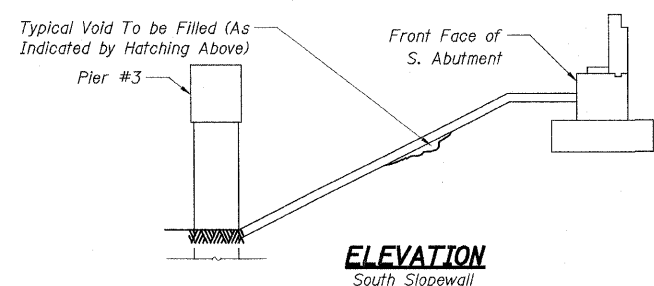
ELEVATION
(Looking South)
* Measured Along Back of Abutment



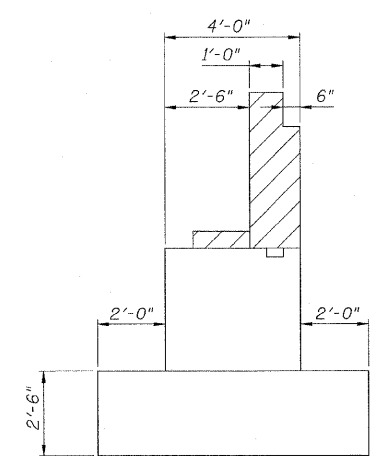
PLAN



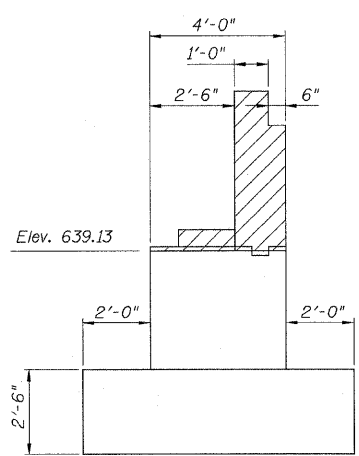
PLAN



ELEVATION
South Slopewall



SECTION A-A



SECTION B-B

Notes:
Sawcut existing abutment backwall at stage removal line before removing existing backwall.
Existing reinforcement extending into new construction shall be cleaned, straightened, and incorporated into new construction. Cost shall be included with Concrete Removal.
Existing reinforcement not extending into new construction shall be cut off and covered with a 2" layer of cement grout. Cost shall be included with Concrete Removal.

LEGEND:

- Indicates areas of Concrete Removal
- Indicates limits of Epoxy Crack Injection
- Indicates limits of Structural Repair of Concrete (depth equal to or less than 5")
- Indicates limits of Slope Wall Slurry Pumping

BILL OF MATERIAL

ITEM	UNIT	QUANTITY
Epoxy Crack Injection	Foot	27.3
Structural Repair of Concrete (Depth Equal to Less than 5")	Sq. Ft.	3
Concrete Removal	Cu. Yd.	15.7
* Slope Wall Slurry Pumping	Cu. Yd.	3.3
Structure Excavation	Cu. Yd.	92

* See Special Provisions

REVISIONS	
NAME	DATE

ILLINOIS DEPARTMENT OF TRANSPORTATION
SOUTH ABUTMENT REMOVAL
FA ROUTE 173 (SAYRE AVENUE) OVER
INTERSTATE 90 (KENNEDY EXPRESSWAY)
COOK COUNTY STATION 8+02.48
SECTION 267-1414-15D
STRUCTURE NO. 016-1104
SCALE: NONE DRAWN BY: R. Clinton
DATE: DEC. 2007 CHECKED BY: G. Hatlestad