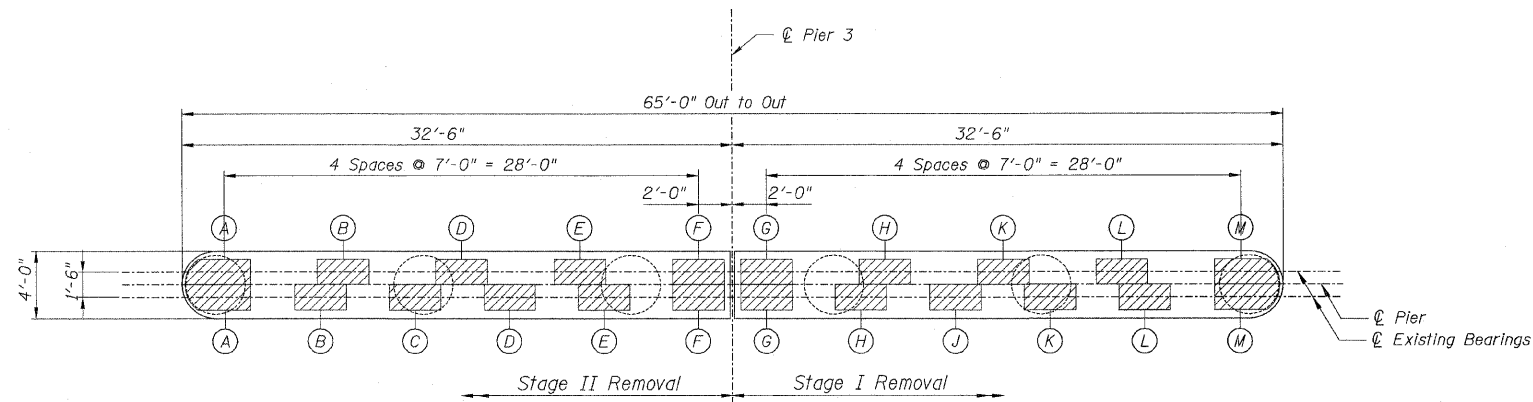
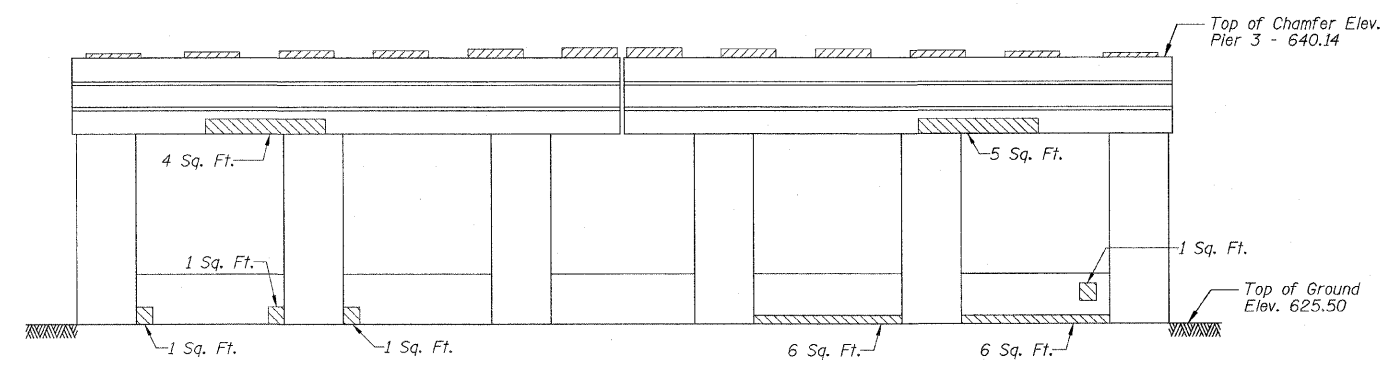


F.A.I. RTE.	SECTION	COUNTY	TOTAL SHEETS	SHEET NO.
90	1414B	COOK	74	53
FED. ROAD DIST. NO. 7		ILLINOIS FED. AID PROJECT		

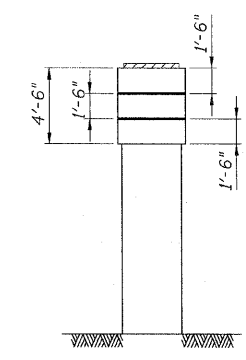
CONTRACT NO. 60384



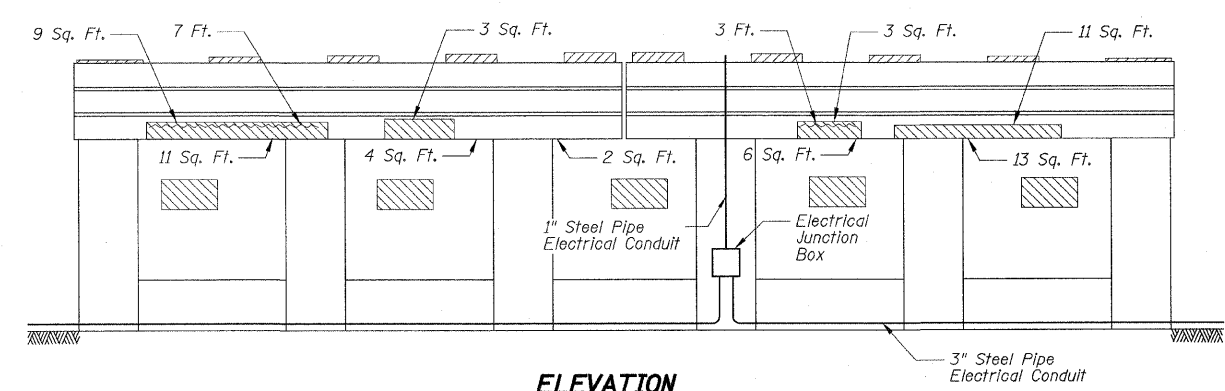
**PLAN**



**ELEVATION**  
(North Face)



**END ELEVATION**  
(West & East End Similar)



**ELEVATION**  
(South Face)

**NOTES:**

1. Pier repair operations shall begin after removal of the existing superstructure and shall be completed prior to erection of the new beams.
2. All electrical conduits shall be protected during construction. Any conduit damage during construction shall be removed and replaced by the Contractor at the Contractor's expense.
3. Quantities shown in the Bill of Material have been increased above the theoretical values to allow for additional repairs authorized by the Engineer.

**LEGEND:**

- Indicates limits of Structural Repair of Concrete (depth equal to or less than 5")
- Indicates limits of Epoxy Crack Injection
- Indicates areas of concrete removal

**BILL OF MATERIAL**

ITEM	UNIT	QUANTITY
* Polymer Modified Portland Cement Mortar	Sq. Ft.	20
* Structural Repair of Concrete (Depth Equal to or Less than 5")	Sq. Ft.	96
* Structural Repair of Concrete (Depth Greater than 5")	Sq. Ft.	100
Epoxy Crack Injection	Foot	15.0
Concrete Removal	Cu. Yd.	1.7

\* See Special Provisions

REVISIONS	
NAME	DATE

ILLINOIS DEPARTMENT OF TRANSPORTATION  
**PIER 3 REPAIR**  
 FA ROUTE 173 (SAYRE AVENUE) OVER  
 INTERSTATE 90 (KENNEDY EXPRESSWAY)  
 COOK COUNTY STATION 8+02.48  
 SECTION 267-1414-15D  
 STRUCTURE NO. 016-1104  
 SCALE: NONE DRAWN BY: R. Clinton  
 DATE: DEC. 2007 CHECKED BY: G. Hatlestad