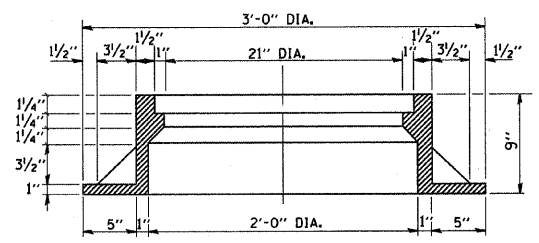


PLAN

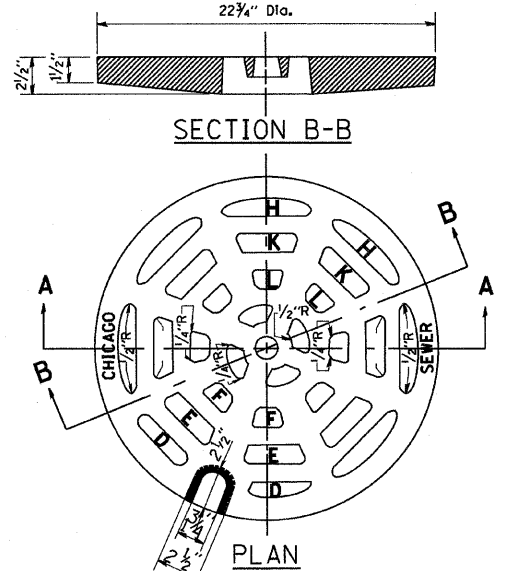


SECTION A-A

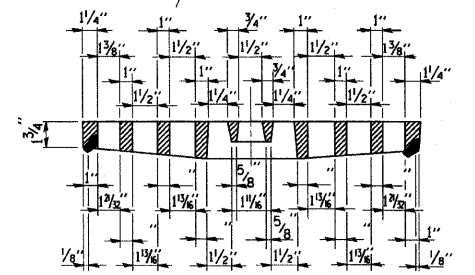
NOTE: METAL PLATES MUST BE FURNISHED FOR PERFORATED LIDS ON MANHOLES

CHICAGO STANDARD MANHOLE FRAME

SCALE: 1/2"=1'-0"
MATERIAL: CAST IRON



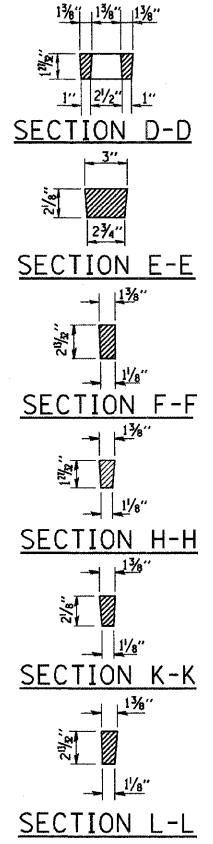
PLAN



SECTION A-A

PERFORATED LID FOR CATCH BASINS & MANHOLES

SCALE: 2"=1'-0"
MATERIAL: CAST IRON



SECTION D-D

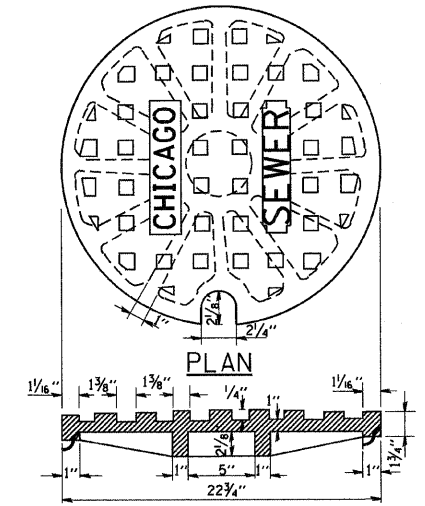
SECTION E-E

SECTION F-F

SECTION H-H

SECTION K-K

SECTION L-L

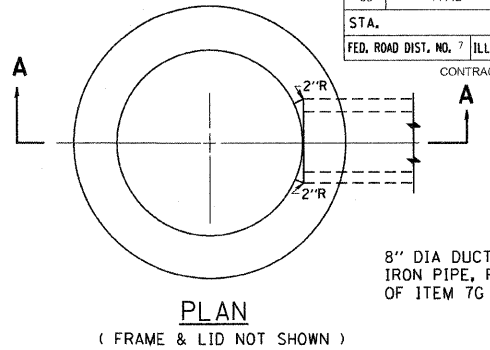


PLAN

SECTION

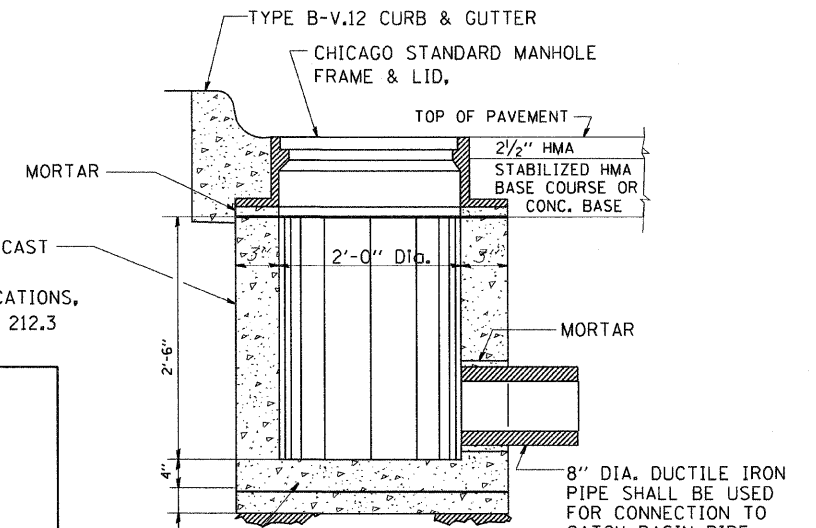
SOLID LID FOR MANHOLES

SCALE: NONE
MATERIAL: CAST IRON



PLAN

8" DIA DUCTILE IRON PIPE, PART OF ITEM 7G



SECTION A-A

24" DIA. PRECAST CONC. RING SEE SPECIFICATIONS, PART 2, ART 212.3

REINFC. CONC. BASE CAST AS INTEGRAL PART OF 24" DIA. PRECAST CONC. RING

6" MINIMUM GRANULAR EMBEDMENT UNDER ALL INLETS. FURNISHING AND INSTALLING GRANULAR EMBEDMENT SHALL BE INCLUDED IN THE UNIT PRICE BID FOR ITEM 12

STANDARD INLETS

SCALE 1"=1'-0"
ITEM 12

THIS INLET DETAIL IS SOMETIMES REFERRED TO AS "CHICAGO STANDARD INLET, TYPE A"

NOTE:
INLETS SHALL NOT BE CONSTRUCTED UNLESS IT IS IMPOSSIBLE TO CONSTRUCT A CATCH BASIN. THE CONTRACTOR SHALL HAVE THE DEPARTMENT OF SEWERS APPROVAL BEFORE CONSTRUCTING INLETS.

CITY OF CHICAGO
DEPARTMENT OF SEWERS
ENGINEERING DIVISION

ILLINOIS DEPARTMENT OF TRANSPORTATION

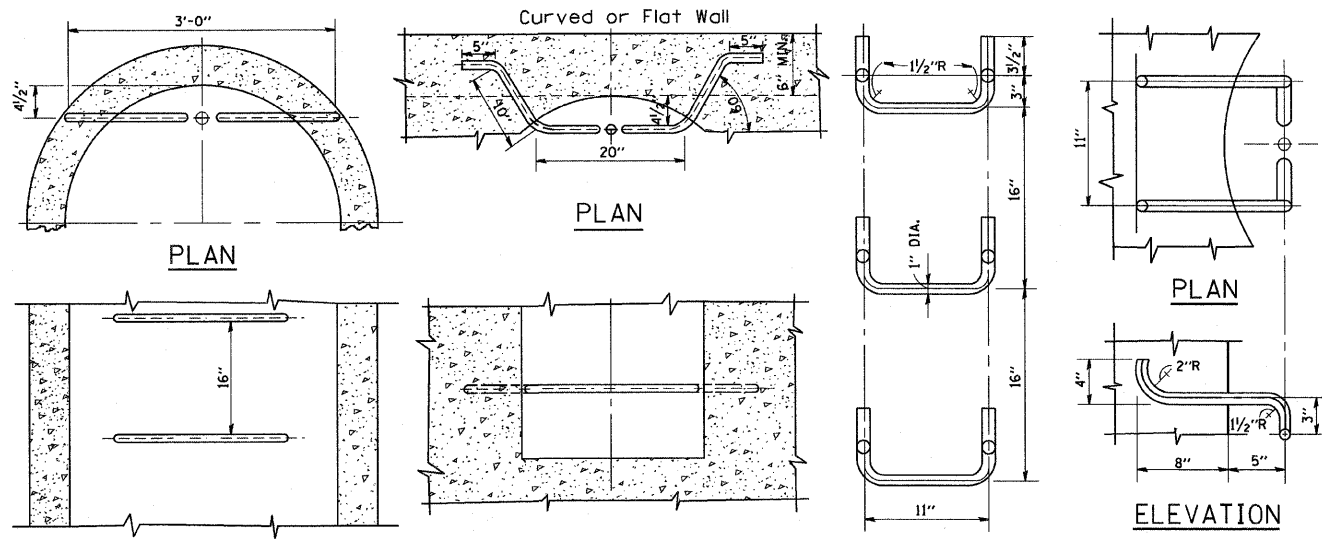
CITY OF CHICAGO
CATCH BASIN, INLET AND
MANHOLE DETAILS

SCALE: VERT. NONE
HORIZ.

DRAWN BY

CHECKED BY

REVISIONS	
NAME	DATE
M. GOMEZ	01/25/01



ELEVATION TYPE X

SCALE: 1"=1'-0"

ELEVATION TYPE Y

SCALE: 1"=1'-0"

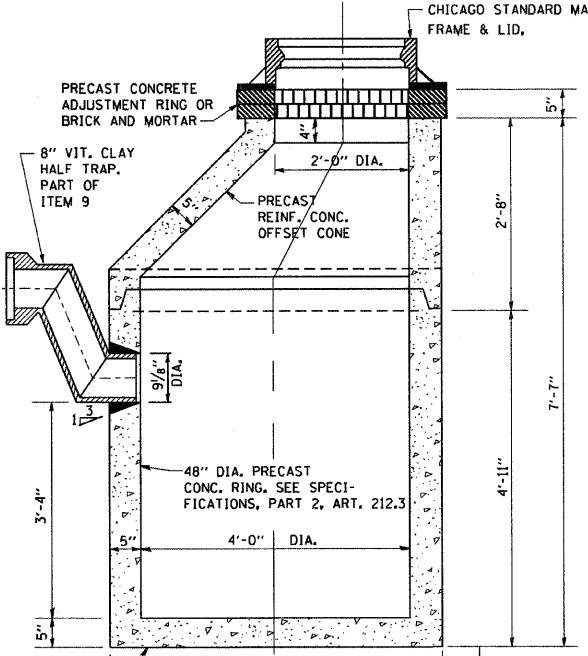
SPACING

HANDHOLD-TYPE Z RUNG

Scale: 1/2"=1'-0"

STANDARD LADDER RUNGS

ALL LADDER RUNGS SHALL BE ALUMINUM OR GALVANIZED WROUGHT IRON AS SPECIFIED IN THE SPECIFICATIONS, PART 2, ARTICLE 214.2. RUNGS SHALL BE 1" DIAMETER OR OF A SHAPE HAVING AN EQUIVALENT CROSS-SECTIONAL AREA.



PRECAST

NOTE:
6" MINIMUM GRANULAR EMBEDMENT UNDER ALL CATCH BASINS

STANDARD CATCH BASINS

SCALE: 3/4"=1'-0"
ITEM 9

PLOT DATE = 3/16/2007
 FILE NAME = K:\projects\bd47.dwg
 PLOT SCALE = 60.0000 / 1 IN.
 USER NAME = bward