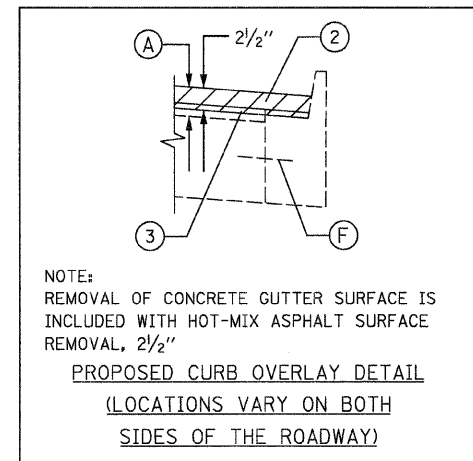


| ROADWAY NAME | HOT-MIX ASPHALT MIXTURE REQUIREMENTS | | |
|--------------------------------|---|---------------------|--------------|
| | MIXTURE TYPE | AC TYPE | AIR VOIDS |
| IL. RTE. 50 (CICERO AVENUE) | POLYMERIZED HOT-MIX ASPHALT SURFACE COURSE, MIX "F", N90 (IL-9.5mm) | SBS/SBR PG 70-22 | 4% @ 90 GYR |
| | POLYMERIZED LEVELING BINDER (MACHINE METHOD), IL-4.75, N50 | SBS/SBR PG 76-28/22 | 4% @ 50 GYR |
| | CLASS D PATCHES (HMA BINDER, IL-19) | * PG 64-22 | 4% @ 70 GYR. |
| | HMA REPLACEMENT OVER PATCHES (HMA BINDER, IL-19) | * PG 64-22 | 4% @ 70 GYR. |

* WHEN RAP EXCEEDS 20%, THE NEW ASPHALT BINDER IN THE MIX SHALL BE PG 58-22.
THE UNIT WEIGHT USED TO CALCULATE ALL HMA MIXTURE QUANTITIES IS 112 LBS/SQ YD/IN.

NOTES:

1. THE CONTRACTOR SHALL PATCH FIRST BEFORE MILLING FROM STA. 12+17 TO STA. 56+08.
2. THE CONTRACTOR SHALL MILL FIRST BEFORE PATCHING FROM STA. 56+08 TO STA. 118+57.

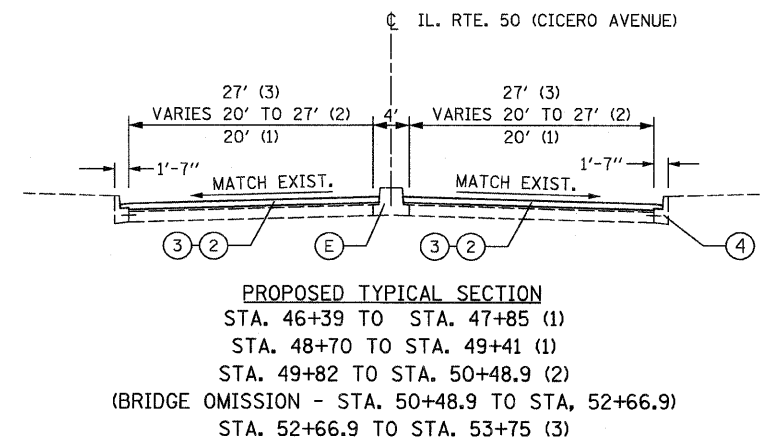
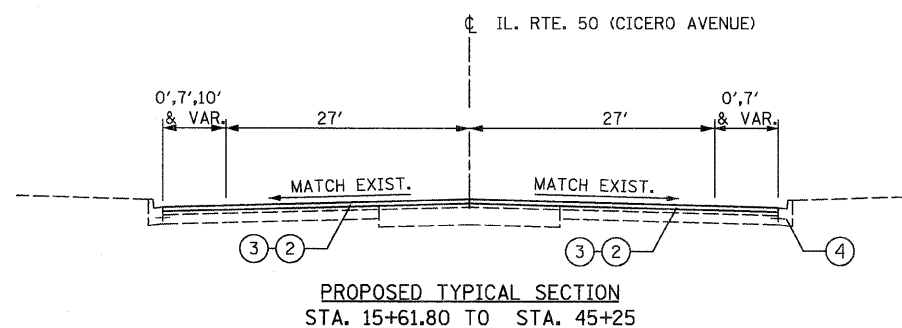
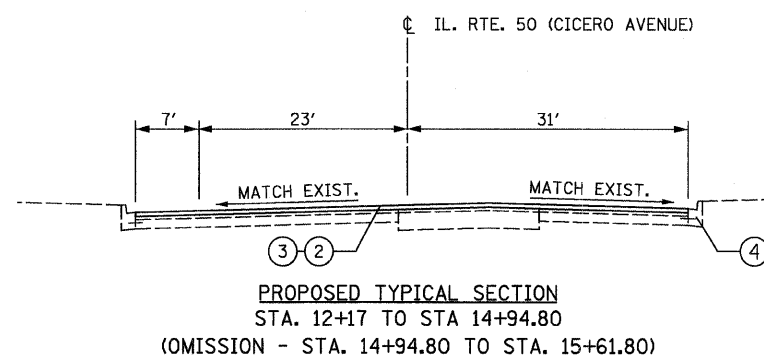
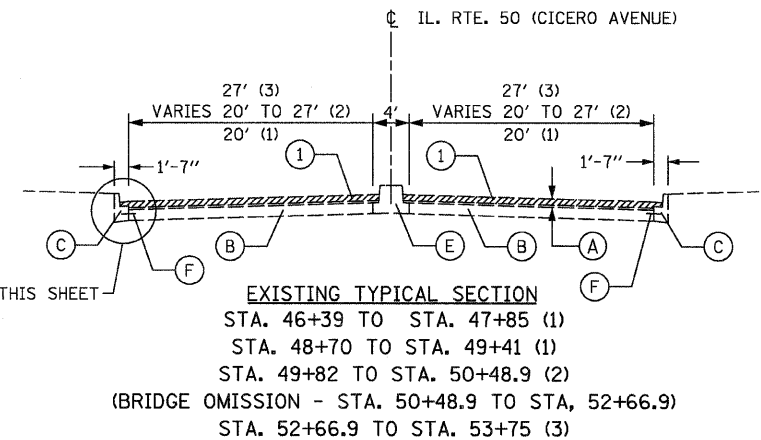
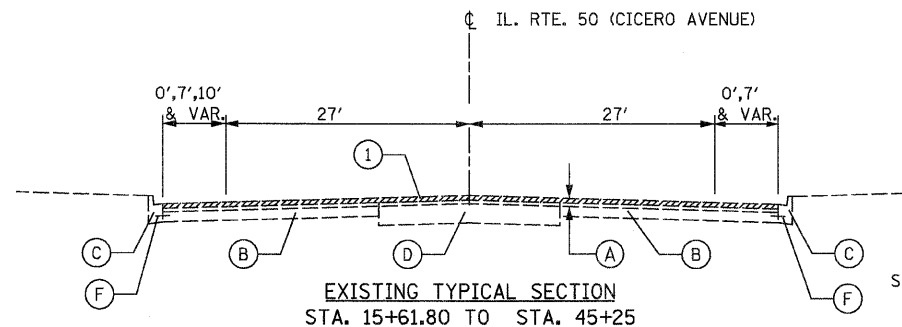
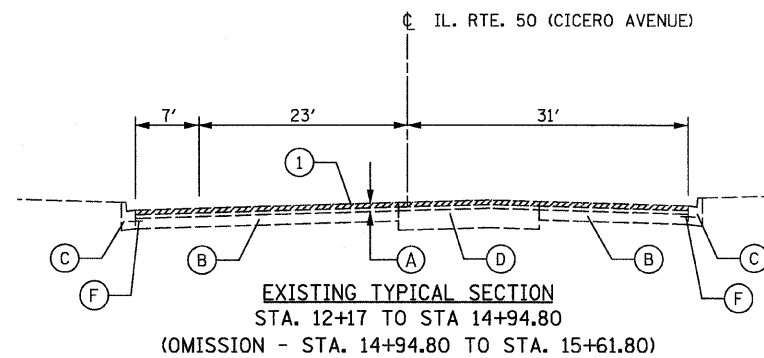


EXISTING CONDITIONS:

- (A) HOT-MIX ASPHALT SURFACE AND BINDER COURSE, 3" & VARIES
- (A1) HOT-MIX ASPHALT SURFACE AND BINDER COURSE, 6", 7" & VARIES
- (B) PCC BASE COURSE, 9"
- (B1) PCC BASE COURSE, 8"
- (C) COMBINATION CONCRETE CURB AND GUTTER TYPE B-6.12
- (D) ABANDONED STREETCAR TRACKS (RAIL, WOODEN TIES, PAVERS)
- (E) CONCRETE MEDIAN, CONCRETE BARRIER WALL
- (F) TIE BARS

PROPOSED IMPROVEMENTS:

- (1) HOT-MIX ASPHALT SURFACE REMOVAL, 2 1/2"
- (2) POLYMERIZED HOT-MIX ASPHALT SURFACE COURSE, MIX "F", N90, 1 3/4"
- (3) POLYMERIZED LEVELING BINDER (MACHINE METHOD), IL-4.75, N50, 3/4"
- (4) COMB. CONC. CURB AND GUTTER REMOVAL AND REPLACEMENT (AS DETERMINED BY THE ENGINEER)



FILE NAME = D168A58-sh-typical.dgn
PLOT DATE = 1/8/2009

CHRISTIAN-ROGE & ASSOCIATES, INC.
ENGINEERS-PLANNERS-SURVEYORS
211 WEST WACKER DRIVE
CHICAGO, ILLINOIS 60606
PHONE: (312)372-2023 FAX: (312)372-5274

DESIGNED - D.L.
DRAWN - B.K.
CHECKED - M.P.
DATE - DECEMBER 1, 2008

REVISED -
REVISED -
REVISED -
REVISED -

STATE OF ILLINOIS
DEPARTMENT OF TRANSPORTATION

TYPICAL SECTIONS
IL. RTE. 50 (CICERO AVENUE) SOUTH OF IL. RTE. 19 TO EDENS EXPY.

SCALE: NONE SHEET NO. 1 OF 2 SHEETS STA. 12+17 TO STA. 53+75

| F.A.P. RTE. | SECTION | COUNTY | TOTAL SHEETS | SHEET NO. |
|---|-------------|--------|--------------|-----------|
| 350 | 2005-060 RS | COOK | 30 | 4 |
| CONTRACT NO. 60A50 | | | | |
| FED. ROAD DIST. NO. 1 ILLINOIS FED. AID PROJECT | | | | |