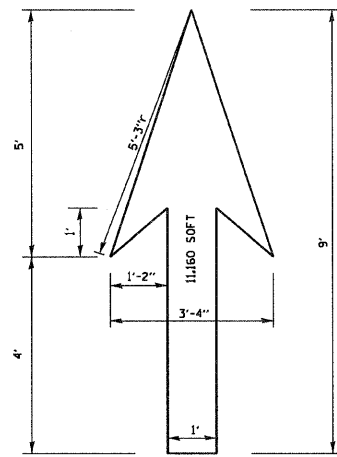


NOTE:

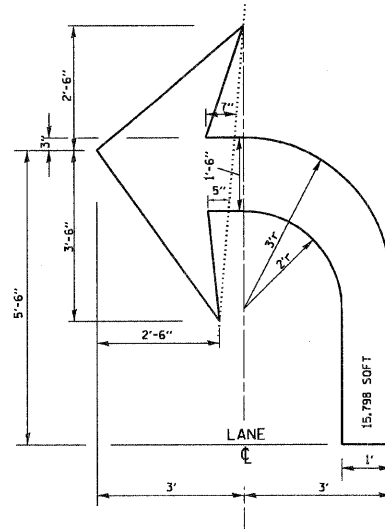
- 1.) FOR BIKE LANE SYMBOLS ONLY, USE PRE-FORMED THERMOPLASTIC WITH A MINIMUM THICKNESS OF 90 MILS, MINIMUM SKID RESISTANCE VALUE OF 60 BPN, & A MINIMUM INDEX OF REFRACTION OF 1.50.
- 2.) THE RESIDENT ENGINEER SHALL CONTACT MR. BEN GOMBERG AT 312-744-8093 AT LEAST ONE CALENDAR WEEK PRIOR TO INSTALLING BIKE LANE SYMBOLS.

TYPICAL BIKE LANE SYMBOLS
DRAWING #28

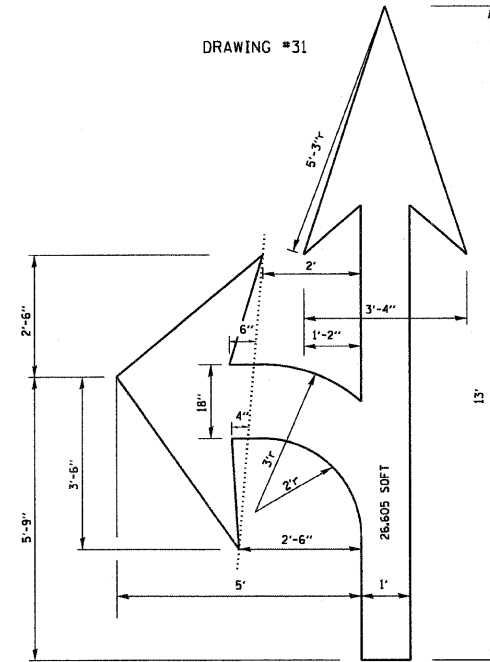
DRAWING #29



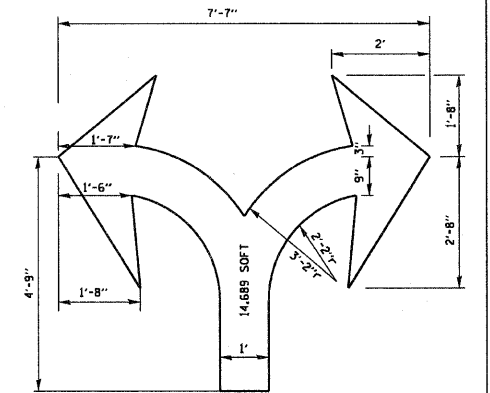
DRAWING #30



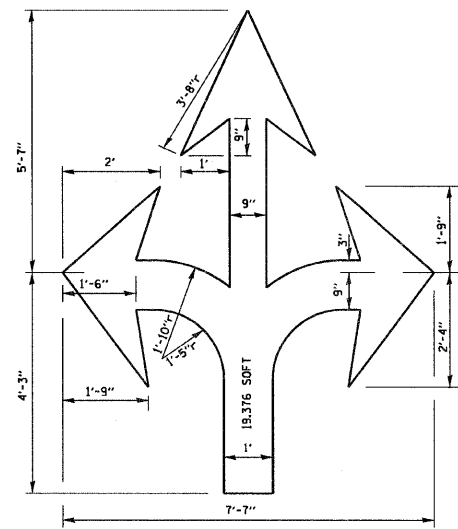
DRAWING #31



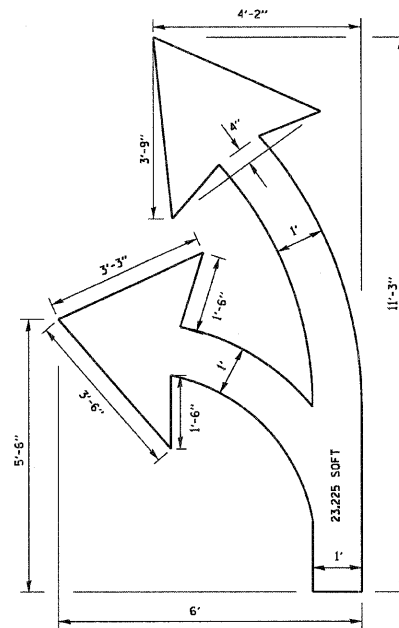
DRAWING #32



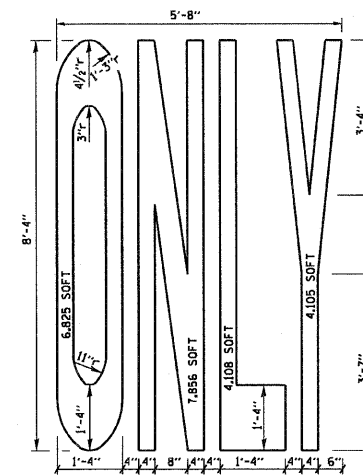
DRAWING #33



DRAWING #34



DRAWING #35



NOTE: ALL MARKINGS SHALL BE SOLID WHITE UNLESS OTHERWISE NOTED IN THE PLANS

FILE NAME = W:\disto\td\22x34\to24.dgn	USER NAME = gegl1enobt	DESIGNED -	REVISED - T. RAMMACHER 12-07-00
		DRAWN -	REVISED -
	PLOT SCALE = 50.000' / IN.	CHECKED -	REVISED -
	PLOT DATE = 1/4/2008	DATE -	REVISED -

STATE OF ILLINOIS
DEPARTMENT OF TRANSPORTATION

CITY OF CHICAGO			
TYPICAL PAVEMENT MARKINGS			
SCALE: NONE	SHEET NO. 2 OF 2 SHEETS	STA. 12+17	TO STA. 118+57

F.A.P. RATE 350	SECTION 2005-060 RS	COUNTY COOK	TOTAL SHEETS 30	SHEET NO. 29
TC-24		CONTRACT NO. 60A50		
FED. ROAD DIST. NO. 1 ILLINOIS FED. AID PROJECT				