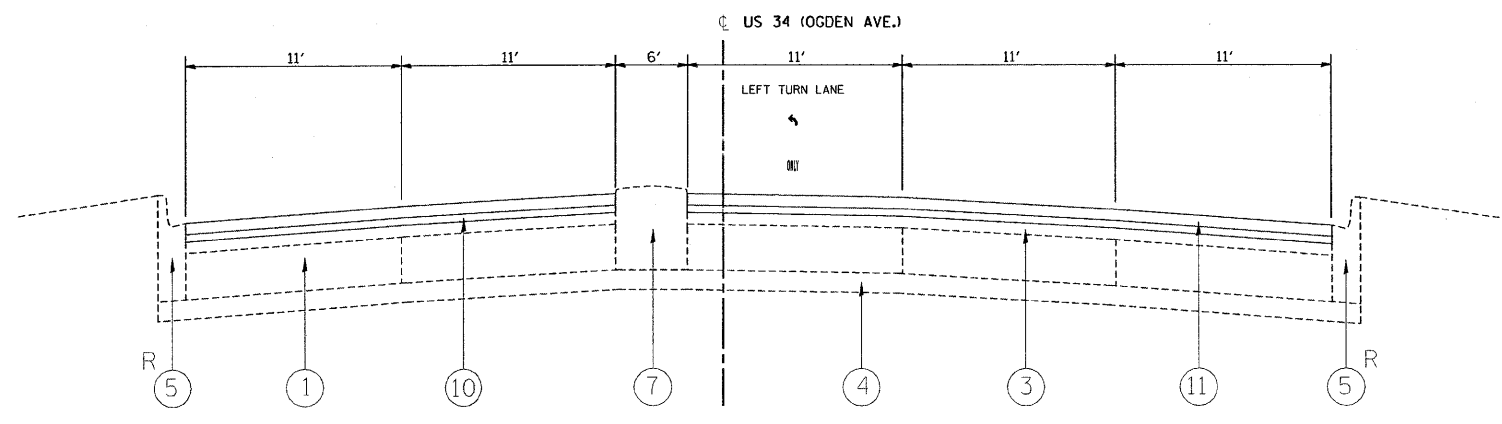
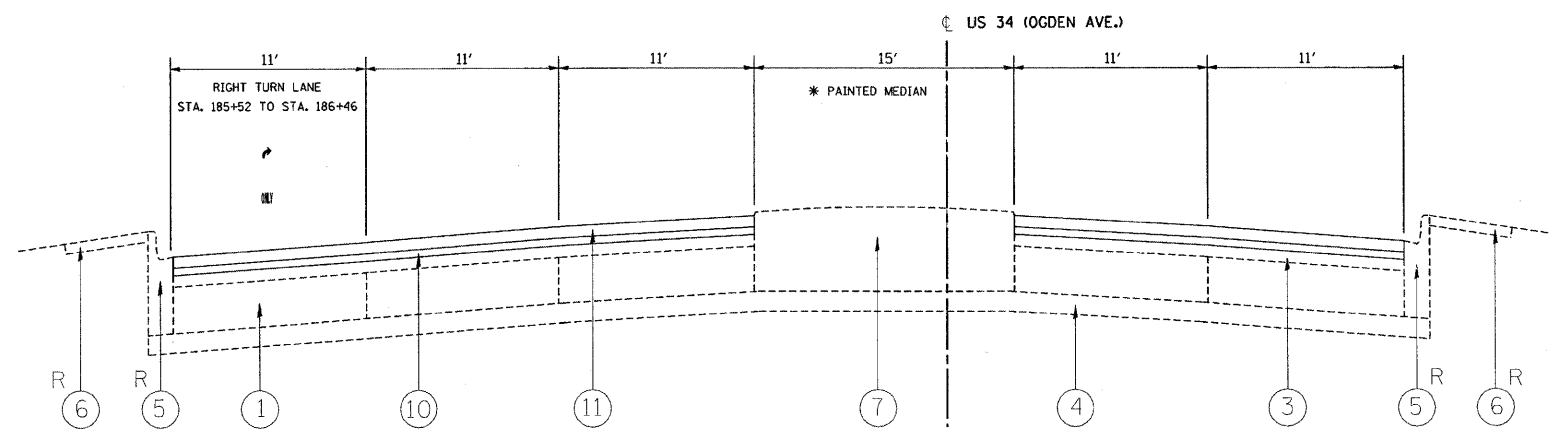


PROPOSED TYPICAL SECTION US 34 (OGDEN AVE.)
STA. 178+92 TO STA. 183+08

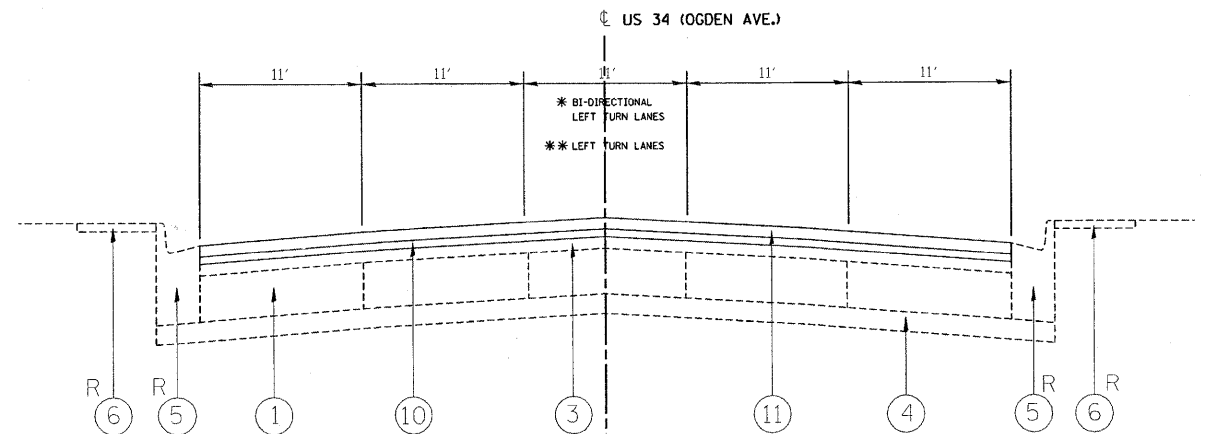


PROPOSED TYPICAL SECTION US 34 (OGDEN AVE.)
STA. 183+08 TO STA. 184+70



PROPOSED TYPICAL SECTION US 34 (OGDEN AVE.)
STA. 185+52 TO STA. 189+26

LEGEND:
* STA. 187+98 TO STA. 189+26



PROPOSED TYPICAL SECTION US 34 (OGDEN AVE.)
STA. 189+26 TO STA. 213+47

LEGEND:
* STA. 189+26 TO STA. 202+48
** STA. 203+33 TO STA. 205+87
STA. 205+87 TO STA. 213+47

LEGEND:

- ① EXISTING P.C.C. PAVEMENT, ±10"
- ② EXISTING HOT-MIX ASPHALT SURFACE, ±8"
- ③ EXISTING HOT-MIX ASPHALT SURFACE (AFTER MILLING), ±6"
- ④ EXISTING STABILIZED SUB-BASE
- ⑤ EXISTING COMBINATION CONCRETE CURB AND GUTTER, TYPE B-6.12
- ⑥ EXISTING SIDEWALK
- ⑦ EXISTING CORRUGATED MEDIAN
- ⑧ EXISTING HOT-MIX ASPHALT SHOULDER
- ⑨ PROP. HOT-MIX ASPHALT SURFACE REMOVAL, 2 1/2"
- ⑩ PROP. POLYMERIZED LEVELING BINDER (MACHINE METHOD), IL-4.75, N50, 3/4"
- ⑪ PROP. POLYMERIZED HOT-MIX ASPHALT SURFACE COURSE, MIX "F", N90, 1 3/4"
- R CURB AND GUTTER REMOVAL AND REPLACEMENT

FILE NAME =	USER NAME = steedpa	DESIGNED -	REVISED -	STATE OF ILLINOIS DEPARTMENT OF TRANSPORTATION	PROPOSED TYPICAL SECTIONS US 34 (OGDEN AVE.)--I-355 TO WARWICK AVE.				F.A.P. RTE. 311	SECTION 9Y-RS-6	COUNTY	TOTAL SHEETS 41	SHEET NO. 9
cs:\pw\work\p\dot\stedpa\dms09735\design_aa.dgn		DRAWN -	REVISED -		SCALE:	SHEET NO.	OF SHEETS	STA.	TO STA.	DU PAGE		CONTRACT NO. 60A85	
PLOT SCALE = 50.0000' / IN.		CHECKED -	REVISED -										
PLOT DATE = 1/9/2009		DATE -	REVISED -										
												FED. ROAD DIST. NO. 1	ILLINOIS FED. AID PROJECT