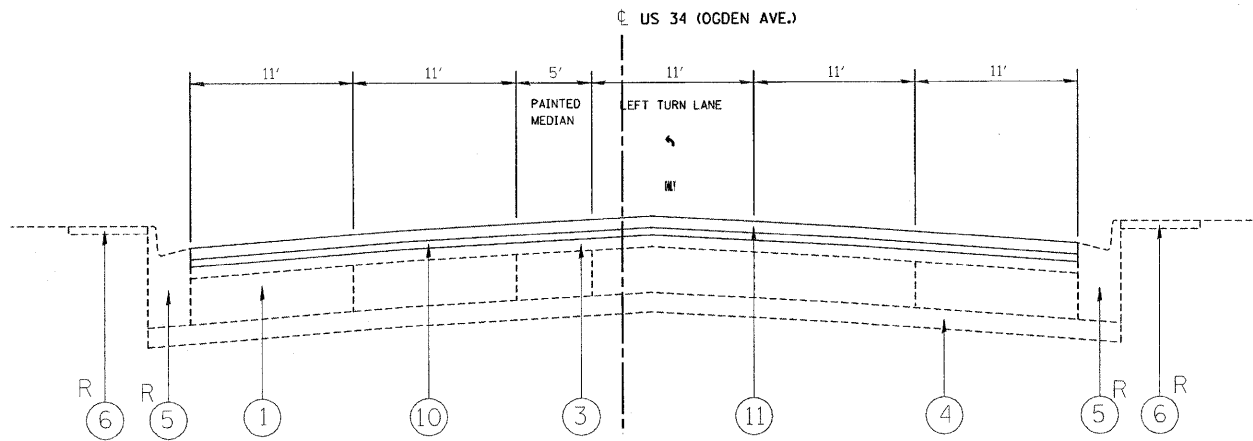
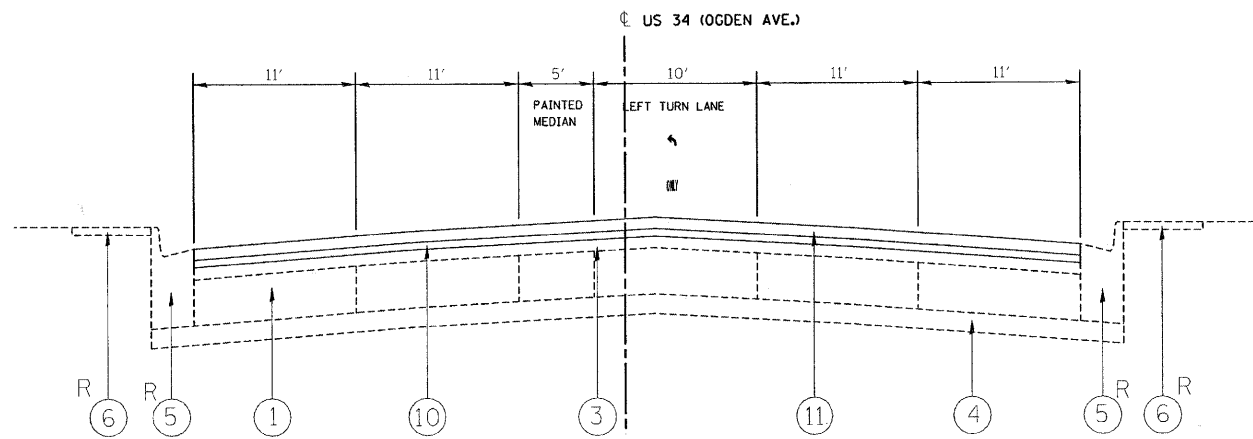


PROPOSED TYPICAL SECTION US 34 (OGDEN AVE.)  
STA. 213+47 TO STA. 217+69



PROPOSED TYPICAL SECTION US 34 (OGDEN AVE.)  
STA. 217+69 TO STA. 220+77



PROPOSED TYPICAL SECTION US 34 (OGDEN AVE.)  
STA. 220+77 TO STA. 224+29

**LEGEND:**

- ① EXISTING P.C.C. PAVEMENT, ±10"
- ② EXISTING HOT-MIX ASPHALT SURFACE, ±8"
- ③ EXISTING HOT-MIX ASPHALT SURFACE (AFTER MILLING), ±6"
- ④ EXISTING STABILIZED SUB-BASE
- ⑤ EXISTING COMBINATION CONCRETE CURB AND GUTTER, TYPE B-6.12
- ⑥ EXISTING SIDEWALK
- ⑦ EXISTING CORRUGATED MEDIAN
- ⑧ EXISTING HOT-MIX ASPHALT SHOULDER
- ⑨ PROP. HOT-MIX ASPHALT SURFACE REMOVAL, 2 1/2"
- ⑩ PROP. POLYMERIZED LEVELING BINDER (MACHINE METHOD), IL-4.75, N50, 3/4"
- ⑪ PROP. POLYMERIZED HOT-MIX ASPHALT SURFACE COURSE, MIX "F", N90, 1 3/4"
- R CURB AND GUTTER REMOVAL AND REPLACEMENT

FILE NAME =	USER NAME = steedpa	DESIGNED -	REVISED -
os:\px\work\p\dot\stedpa\dms89735\design.es.dgn		DRAWN -	REVISED -
		CHECKED -	REVISED -
		DATE -	REVISED -
	PLOT SCALE = 50.0000' / IN.		
	PLOT DATE = 1/9/2009		

**STATE OF ILLINOIS  
DEPARTMENT OF TRANSPORTATION**

PROPOSED TYPICAL SECTIONS			
US 34 (OGDEN AVE.)--I-355 TO WARWICK AVE.			
SCALE:	SHEET NO. OF SHEETS	STA. TO STA.	

F.A.P. RTE.	SECTION	COUNTY	TOTAL SHEETS	SHEET NO.
311	9Y-RS-6	DJ	41	10
CONTRACT NO. 60A85				
FED. ROAD DIST. NO. 1 ILLINOIS FED. AID PROJECT				