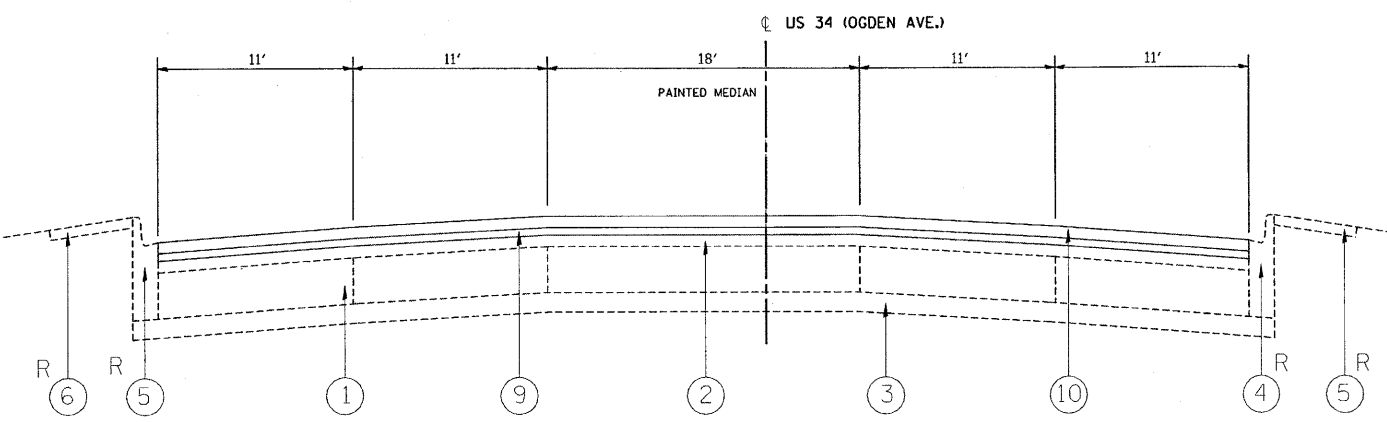


PROPOSED TYPICAL SECTION US 34 (OGDEN AVE.)
STA. 224+29 TO STA. 228+03



PROPOSED TYPICAL SECTION US 34 (OGDEN AVE.)
STA. 228+03 TO STA. 229+73

LEGEND:

- ① EXISTING P.C.C. PAVEMENT, ±10"
- ② EXISTING HOT-MIX ASPHALT SURFACE, ±8"
- ③ EXISTING HOT-MIX ASPHALT SURFACE (AFTER MILLING), ±6"
- ④ EXISTING STABILIZED SUB-BASE
- ⑤ EXISTING COMBINATION CONCRETE CURB AND GUTTER, TYPE B-6.12
- ⑥ EXISTING SIDEWALK
- ⑦ EXISTING CORRUGATED MEDIAN
- ⑧ EXISTING HOT-MIX ASPHALT SHOULDER
- ⑨ PROP. HOT-MIX ASPHALT SURFACE REMOVAL, 2 1/2"
- ⑩ PROP. POLYMERIZED LEVELING BINDER (MACHINE METHOD), IL-4.75, N50, 3/4"
- ⑪ PROP. POLYMERIZED HOT-MIX ASPHALT SURFACE COURSE, MIX "F", N90, 1 3/4"
- R CURB AND GUTTER REMOVAL AND REPLACEMENT

FILE NAME = ca:\pwork\pwidot\steedpa\dms89735\des...	USER NAME = steedpa	DESIGNED -	REVISED -	STATE OF ILLINOIS DEPARTMENT OF TRANSPORTATION	PROPOSED TYPICAL SECTIONS US 34 (OGDEN AVE.)--I-355 TO WARWICK AVE.				F.A.P. RTE.	SECTION	COUNTY	TOTAL SHEETS	SHEET NO.
	PLOT SCALE = 50,0000' / IN.	DRAWN -	REVISED -		311	9Y-RS-6		41	11				
PLOT DATE = 1/9/2009	CHECKED -	REVISED -	SCALE: SHEET NO. OF SHEETS STA. TO STA.				CONTRACT NO. 60A85						
	DATE -	REVISED -	FED. ROAD DIST. NO. 1 ILLINOIS FED. AID PROJECT										