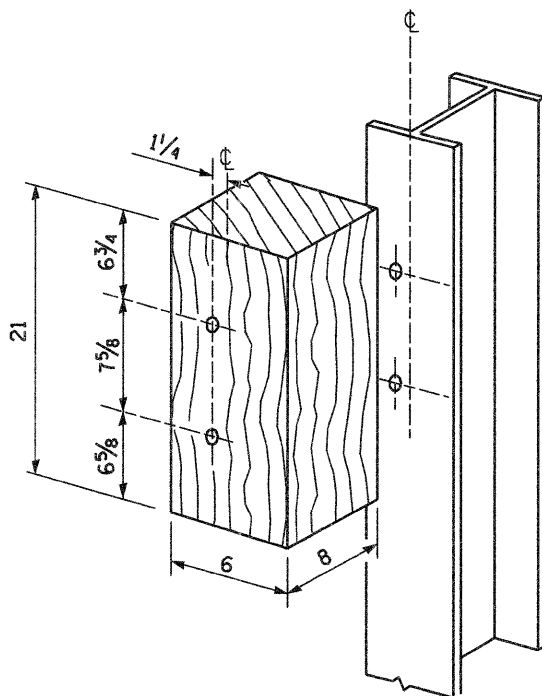
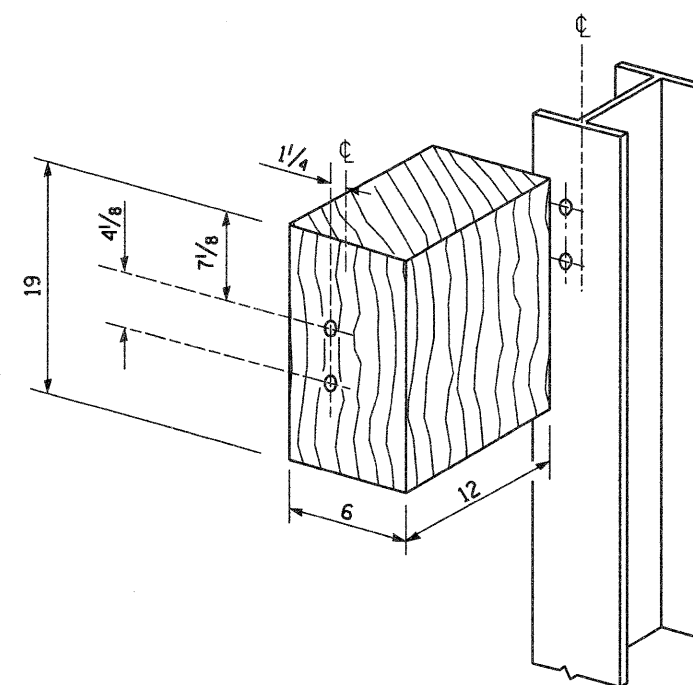


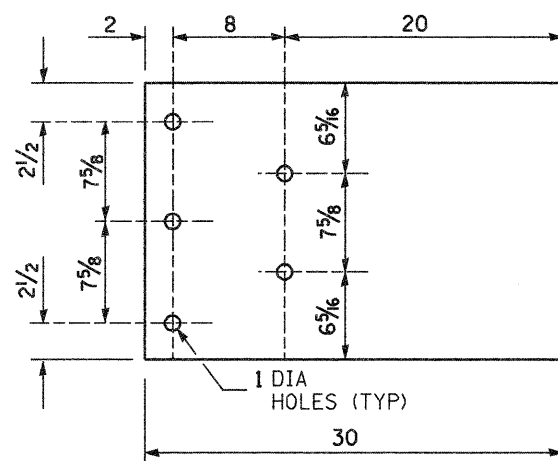
THRIE BEAM END SHOE DETAIL
NTS



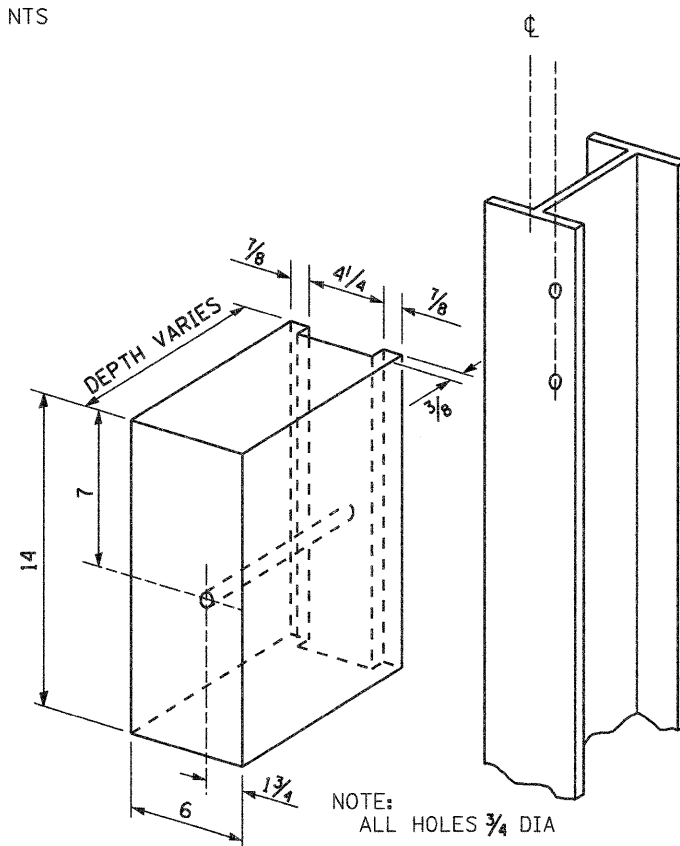
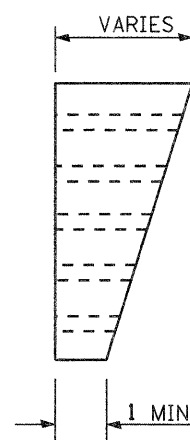
APPROACH POSTS 1-10 WOOD BLOCKOUT DETAIL
NTS



APPROACH POST 11-12 WOOD BLOCKOUT DETAIL
SEE STANDARD 630001 FOR POST 13-17 BLOCKOUTS
NTS



PARAPET WOOD BLOCK-OUT DETAIL
NTS



DEPARTURE WOOD BLOCKOUT DETAILS

POST 1-7 DEPTH = 8"
POST 8-10 DEPTH VARIES
SEE STANDARD 630001 FOR POST 11-17 BLOCKOUTS
NTS

NOTE:
NO PLASTIC BLOCKOUTS PERMITTED.

FILE NAME = D160C08-122B -BARRIER_BLOCKOUT_DETAIL.dgn	USER NAME = dwozlaraki	DESIGNED - DRAWN - DMW, GDS	REVISED - REVISED -	STATE OF ILLINOIS DEPARTMENT OF TRANSPORTATION	BISHOP FORD EXPRESSWAY (I-94) TRAFFIC BARRIER TERMINAL TYPE 6 (SPECIAL)		F.A.I. RTE. 94	SECTION R0312-708W, ETC. & 1315IRS-4	COUNTY COOK	TOTAL SHEETS 167	SHEET NO. 122B
PLOT SCALE = N/A	PLOT DATE = 2/7/2009	CHECKED - DATE - 2/7/2009	REVISED - REVISED -		SCALE: N/A	SHEET NO. 2 OF 2 SHEETS	STA. TO STA.	FED. ROAD DIST. NO. ILLINOIS FED. AID PROJECT		CONTRACT NO. 60C08	