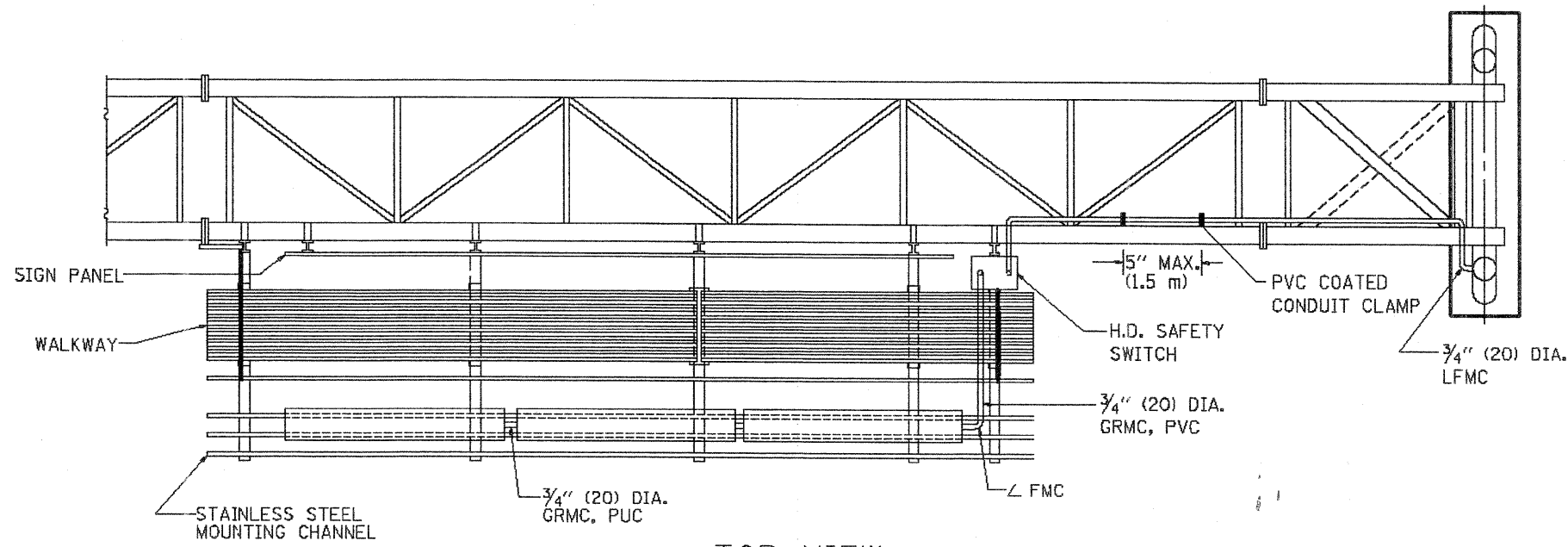
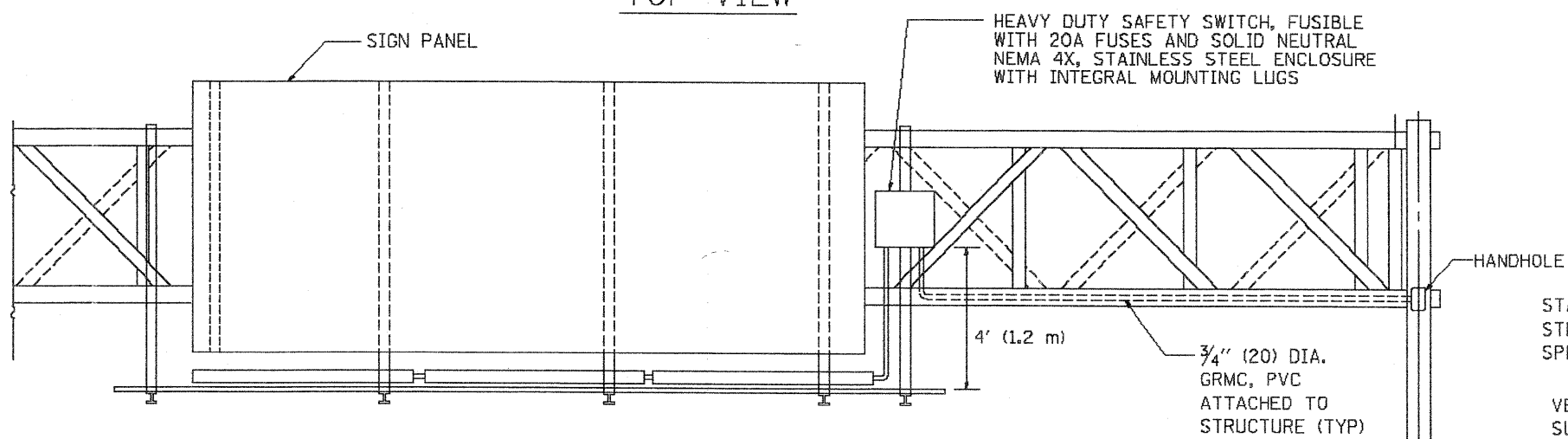
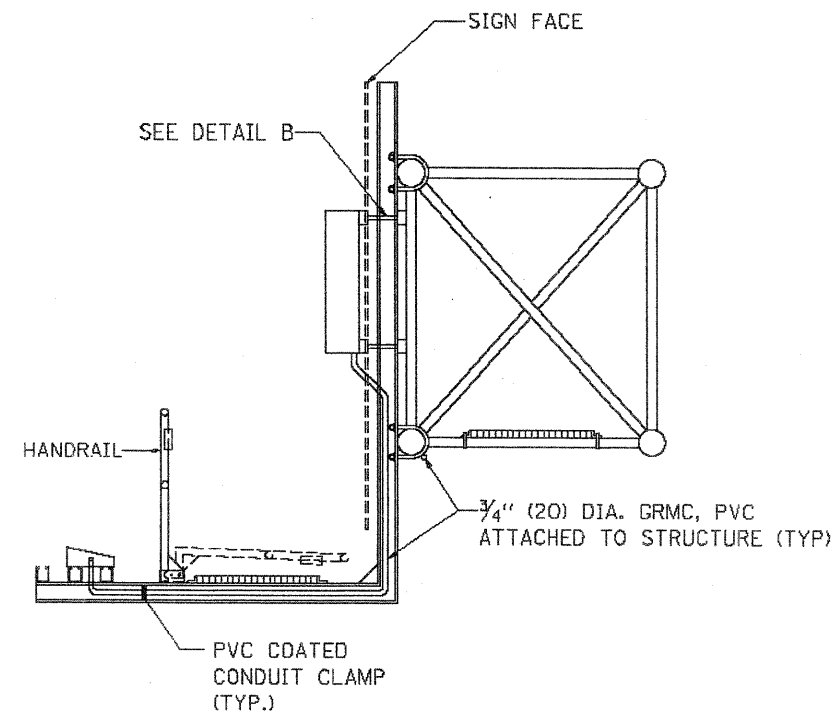


F.A. RTE.	SECTION	COUNTY	TOTAL SHEETS	SHEET NO.
94		COOK	167	130
STA.		TO STA.		
FED. ROAD DIST. NO.	ILLINOIS	FED. AID PROJECT		

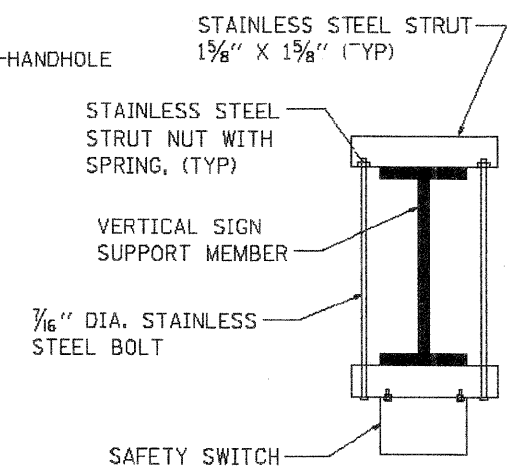
0312-708W, ETC. & 1315RS-4



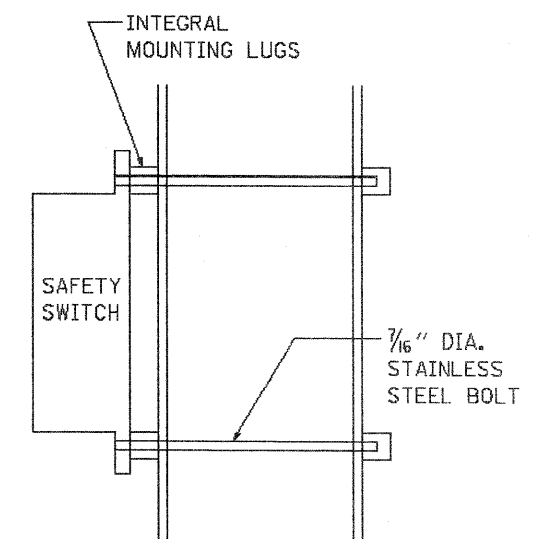
TOP VIEW



ELEVATION VIEW



TOP VIEW



SIDE VIEW

DETAIL B

FOR INFORMATION ONLY

REVISIONS	
NAME	DATE
	08/19/04

ILLINOIS DEPARTMENT OF TRANSPORTATION  
 ELECTRIC CONNECTION  
 TO SIGN STRUCTURE  
 SPAN TYPE  
 2 OF 2

SCALE: VERT. NONE  
 HORIZ. NONE  
 DRAWN BY  
 CHECKED BY  
 BE-600

PLOT DATE = 4/19/07  
 FILE NAME = K:\projects\60C08\60C08.dgn  
 PLOT SCALE = 1/8" = 1'-0"  
 USER NAME = bawand  
 D:\60C08-130-DISTRICT DETAILS.dgn