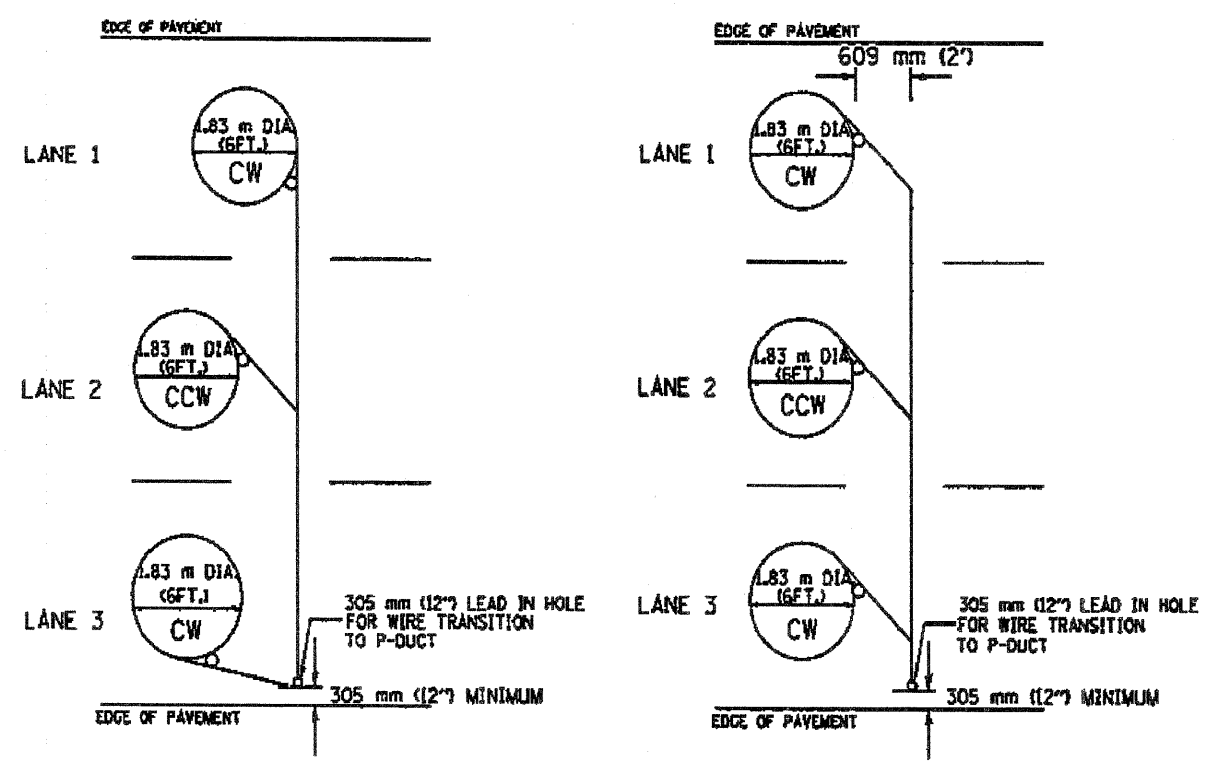


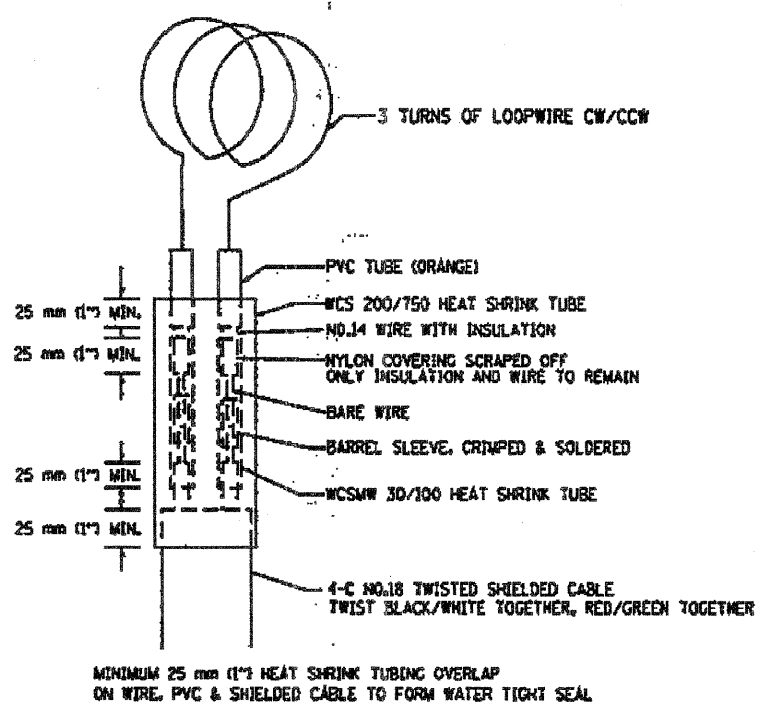
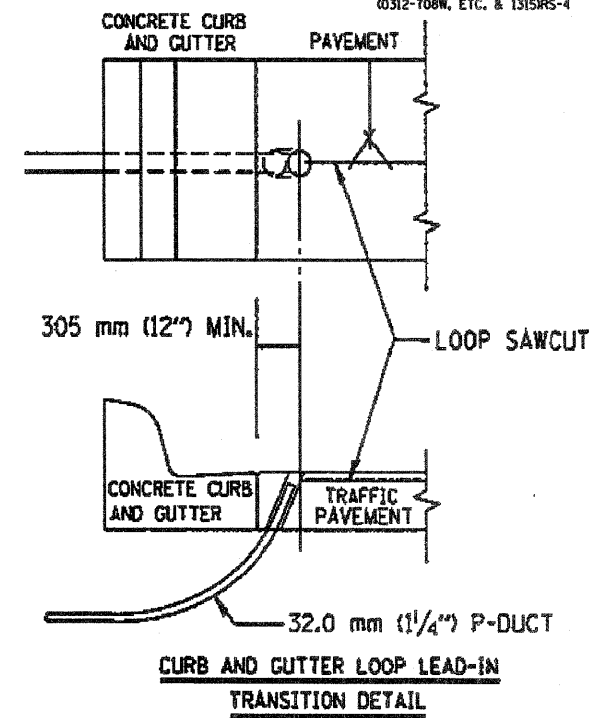
F.A.L. RTE.	SECTION	COUNTY	TOTAL SHEETS
34	COOK	167	164
STA. _____ TO STA. _____		ILLINOIS FED. AID PROJECT	

0312-708W, ETC. & 1315RS-4



TYPICAL 1.83 m (6FT.) DIA. INDUCTION LOOP CORE DRILL LAYOUT FOR MULTIPLE LANE ROADWAY

TYPICAL 1.83 m (6') DIA. INDUCTION LOOP CORE DRILL LAYOUT FOR MULTIPLE LANE ROADWAY



LOOP SPLICING REQUIREMENTS

- NOTES**
1. EACH LOOP SHALL BE SPLICED TO A 4-C NO.18 TWISTED SHIELDED LEAD IN WHEN 45 m (150FT.) OR MORE FROM CABINET.
  2. LOOPS SHALL BE SPLICED IN HANDHOLES ONLY, OTHERWISE WRITTEN PERMISSION SHALL BE OBTAINED FROM TSC ENGINEER.
  3. LOOPS SHALL NOT BE SPLICED IN SERIES.
  4. EACH LOOP LEAD IN SHALL BE IDENTIFIED AND PERMANENTLY COLOR CODED IN THE COREHOLE, HANDHOLE & CABINETS THRU WHICH THEY ENTER OR PASS AND TAGGED WITH THE CORRECT NOMENCLATURES.

REVISIONS	
NAME	DATE
R.L.	6/94
T.C.	10/96

ILLINOIS DEPARTMENT OF TRANSPORTATION  
TRAFFIC SYSTEMS CENTER  
**EXISTING ROUND INDUCTION LOOP TYPICALS**  
SCALE: VERT. NONE  
DATE: 6-22-94  
DRAWN BY: G.M.  
CHECKED BY: R.L.

D:\60C08-164-DISTRICT DETAILS.dgn

RD TYPICAL.DGN

VI-4182