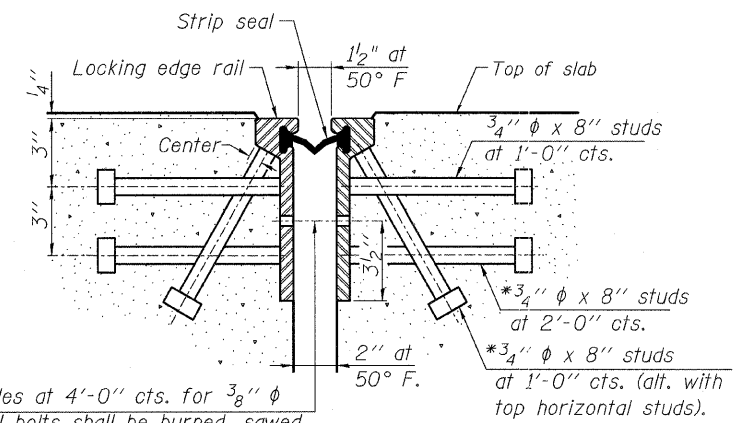


F.A.P. RTE.	SECTION	COUNTY	TOTAL SHEETS	SHEET NO.
338	2007-024 I	DuPAGE	26	15
STA.		TO STA.		
FED. ROAD DIST. NO.		ILLINOIS	FED. AID PROJECT	

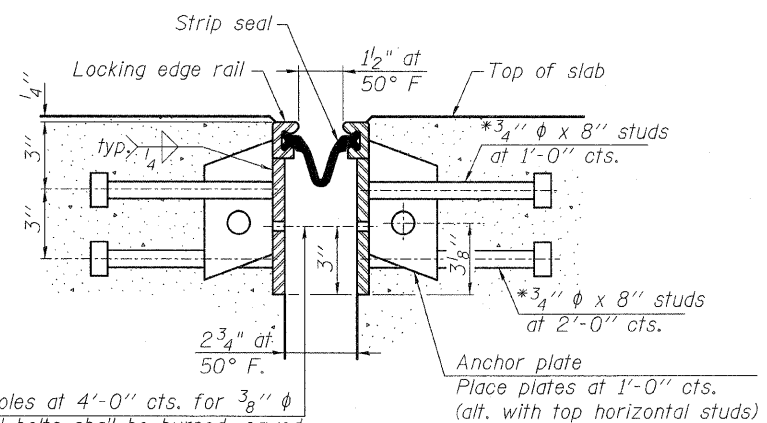
**CONTRACT NO. 60C90**

\*Granular or solid flux filled headed studs conforming to Article 1006.32 of the Std. Specs., automatically end welded.  
 \*\*When joint is fixed, dimension is set at 1 1/2".



7/16"  $\phi$  holes at 4'-0" cts. for 3/8"  $\phi$  bolts. All bolts shall be burned, sawed, or chipped off flush with the plates after forms are removed, typ.

**SECTION THRU ROLLED RAIL JOINT**

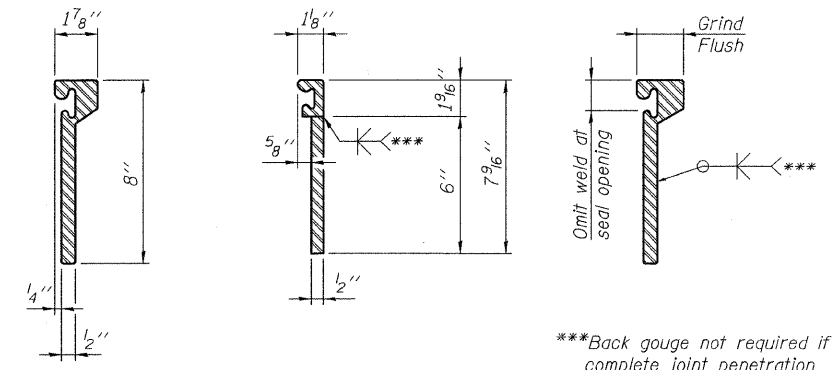


7/16"  $\phi$  holes at 4'-0" cts. for 3/8"  $\phi$  bolts. All bolts shall be burned, sawed, or chipped off flush with the plates after forms are removed, typ.

**SECTION THRU WELDED RAIL JOINT**

**NOTES:**

The strip seal shall be made continuous and shall have a minimum thickness of 1/4". The configuration of the strip seal shall match the configuration of the Locking Edge Rails. Open or "webbed" strip seal gland configurations are not permitted. The gland shall be sized for a maximum rated movement of 4 inches. The height and thickness of the Locking Edge Rails shown are minimum dimensions. The actual configuration of the Locking Edge Rails and matching strip seal may vary from manufacturer to manufacturer. Flanged edge rails will not be allowed. Locking Edge Rails may be spliced at slope discontinuities and stage construction joints. The manufacturer's recommended installation methods shall be followed. The joint opening and deck dimensions detailed on the superstructure are based on a rolled rail expansion joint. If the Contractor elects to use the welded rail expansion joint, the opening and deck dimensions shall be modified according to the dimensions detailed on this sheet. Required modifications shall be made at no additional cost to the State. All steel components shall be galvanized after fabrication according to Article 520.03 of the Standard Specifications.



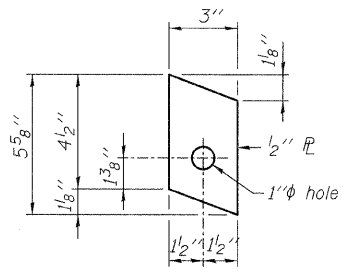
**ROLLED (EXTRUDED) RAIL**      **WELDED RAIL**

\*\*\*Back gouge not required if complete joint penetration is verified by mock-up.

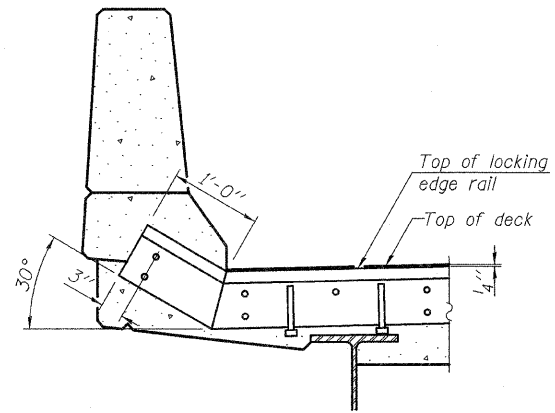
**LOCKING EDGE RAIL SPLICE**

The inside of the locking edge rail groove shall be free of weld residue.

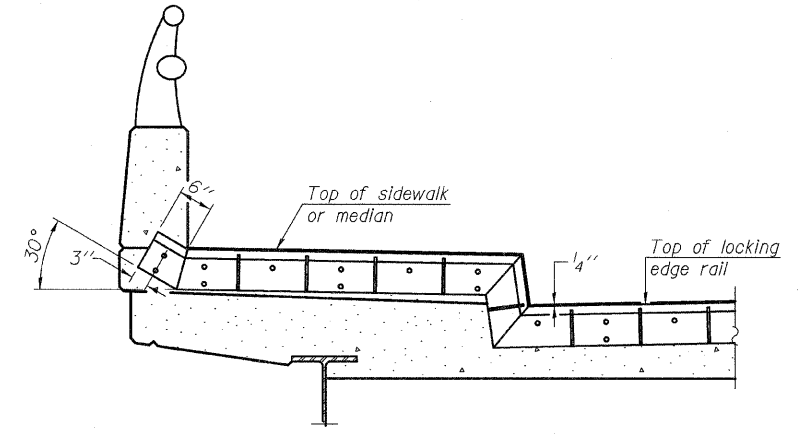
**LOCKING EDGE RAILS**



**ANCHOR PL**  
(for welded rail)



**AT PARAPET**



**AT SIDEWALK OR MEDIAN**

Shorter plates with a single row of studs at 12" cts. may be necessary on medians which are shallower than 9". See manufacturer's recommendation.

**BILL OF MATERIAL**

Item	Unit	Total
Preformed Joint Strip Seal	Foot	175

REVISIONS	
NAME	DATE

ILLINOIS DEPARTMENT OF TRANSPORTATION  
 PREFORMED JOINT STRIP SEAL  
 IL. RTE. 59  
 OVER  
 UNION PACIFIC R.R.  
 F.A.P. RTE. 338 SECTION: 2007-024 I  
 DuPAGE COUNTY  
 STRUCTURE NO. 022-0143  
 SCALE: NONE      DRAWN BY: D.L./F.M.  
 DATE: JANUARY 12, 2007      CHECKED BY: B.N.S./S.J.P.  
**CHRISTIAN-ROGE & ASSOC., INC.**  
 CHICAGO      ILLINOIS