

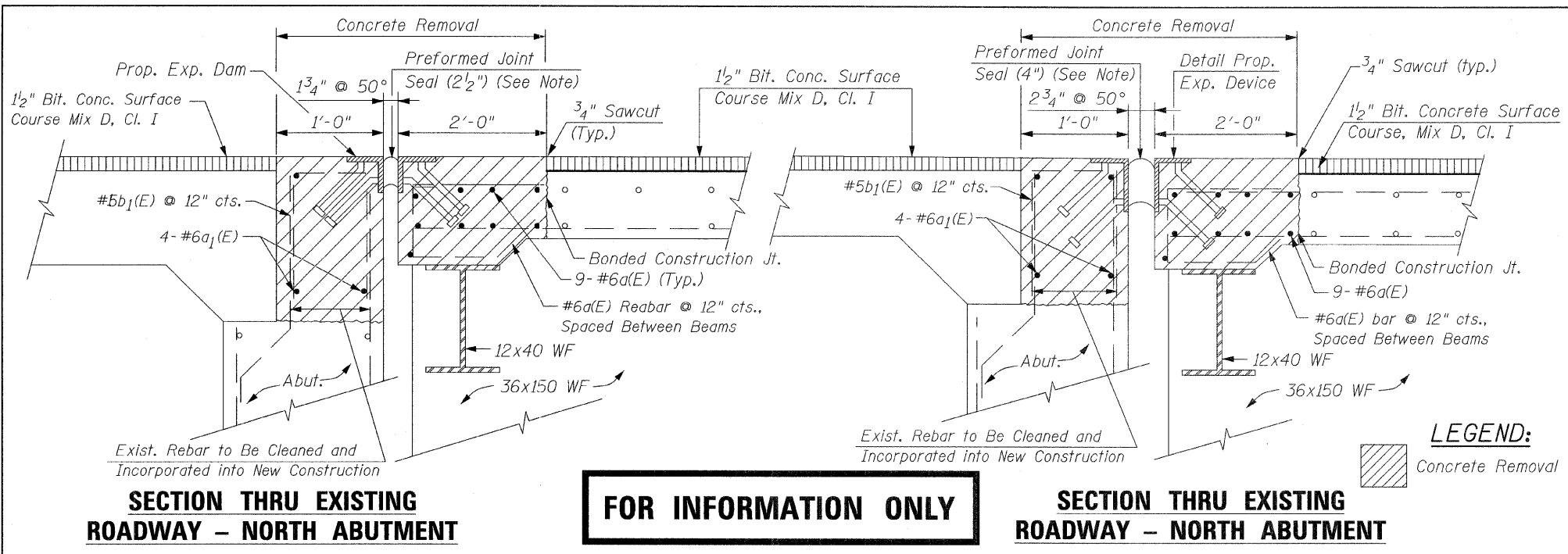
F.A.P. RTE.	SECTION	COUNTY	TOTAL SHEETS	SHEET NO.
338	2007-024 I	DUPAGE	26	19
STA.		TO STA.		
FED. ROAD DIST. NO.		ILLINOIS	FED. AID PROJECT	

**CONTRACT NO. 60C90**  
**BILL OF MATERIAL**  
**(FOR N. & S. ABUTMENTS)**

Bar	No.	Size	Length	Shape
a(E)	32	#6	16'-10"	—
a <sub>1</sub> (E)	16	#6	25'-6"	—
a <sub>2</sub> (E)	16	#6	20'-4"	—
b(E)	150	#5	2'-5"	┌
c(E)	6	#5	5'-8"	┌
c <sub>1</sub> (E)	6	#5	2'-5"	┌
d(E)	6	#4	4'-9"	L
d <sub>1</sub> (E)	6	#6	3'-8"	L
d <sub>2</sub> (E)	6	#6	3'-8"	J
d <sub>3</sub> (E)	6	#6	3'-2"	J
d <sub>4</sub> (E)	6	#5	1'-10"	┐
h(E)	16	#6	16'-10"	—
h <sub>1</sub> (E)	16	#6	25'-6"	—
h <sub>2</sub> (E)	16	#6	20'-4"	—
u(E)	150	#5	3'-0"	┐

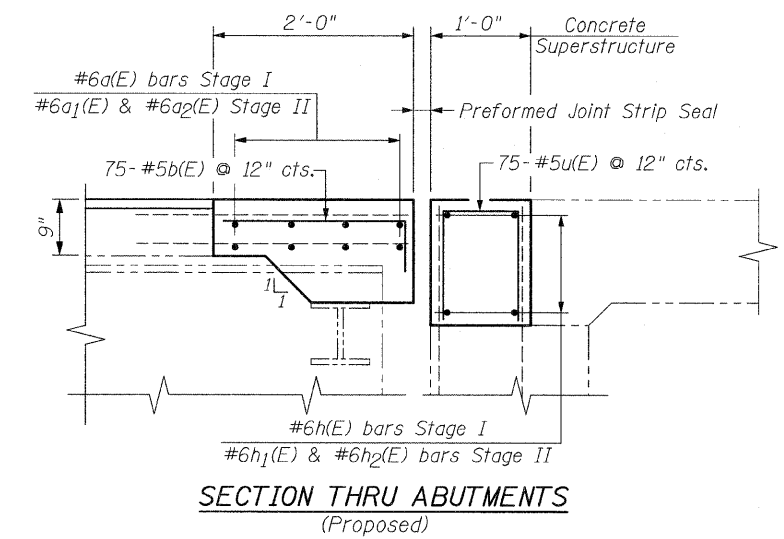
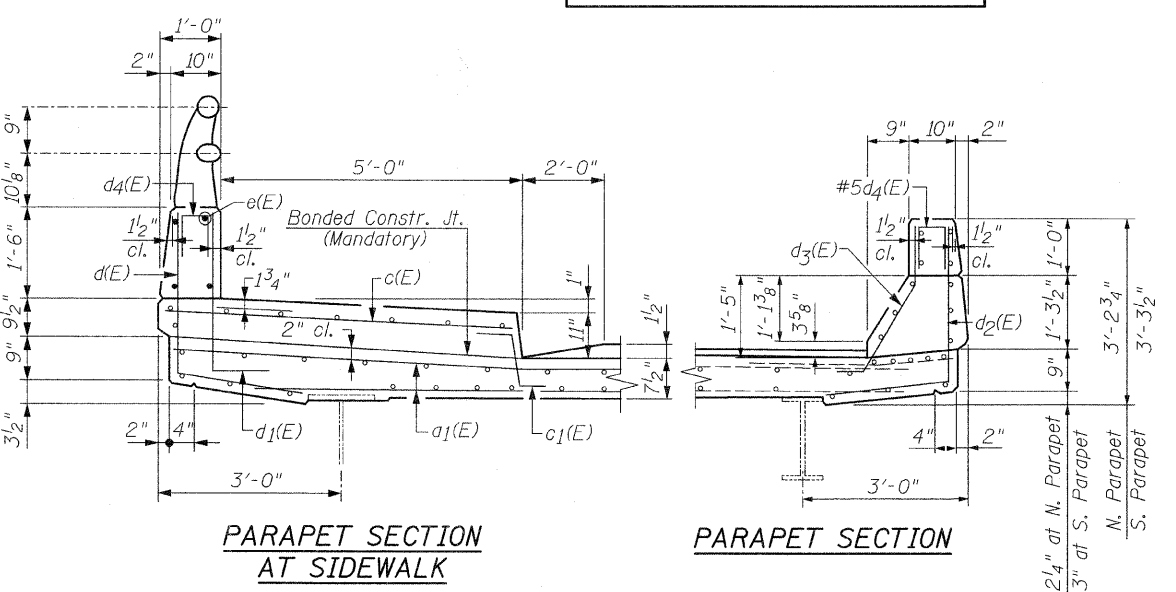
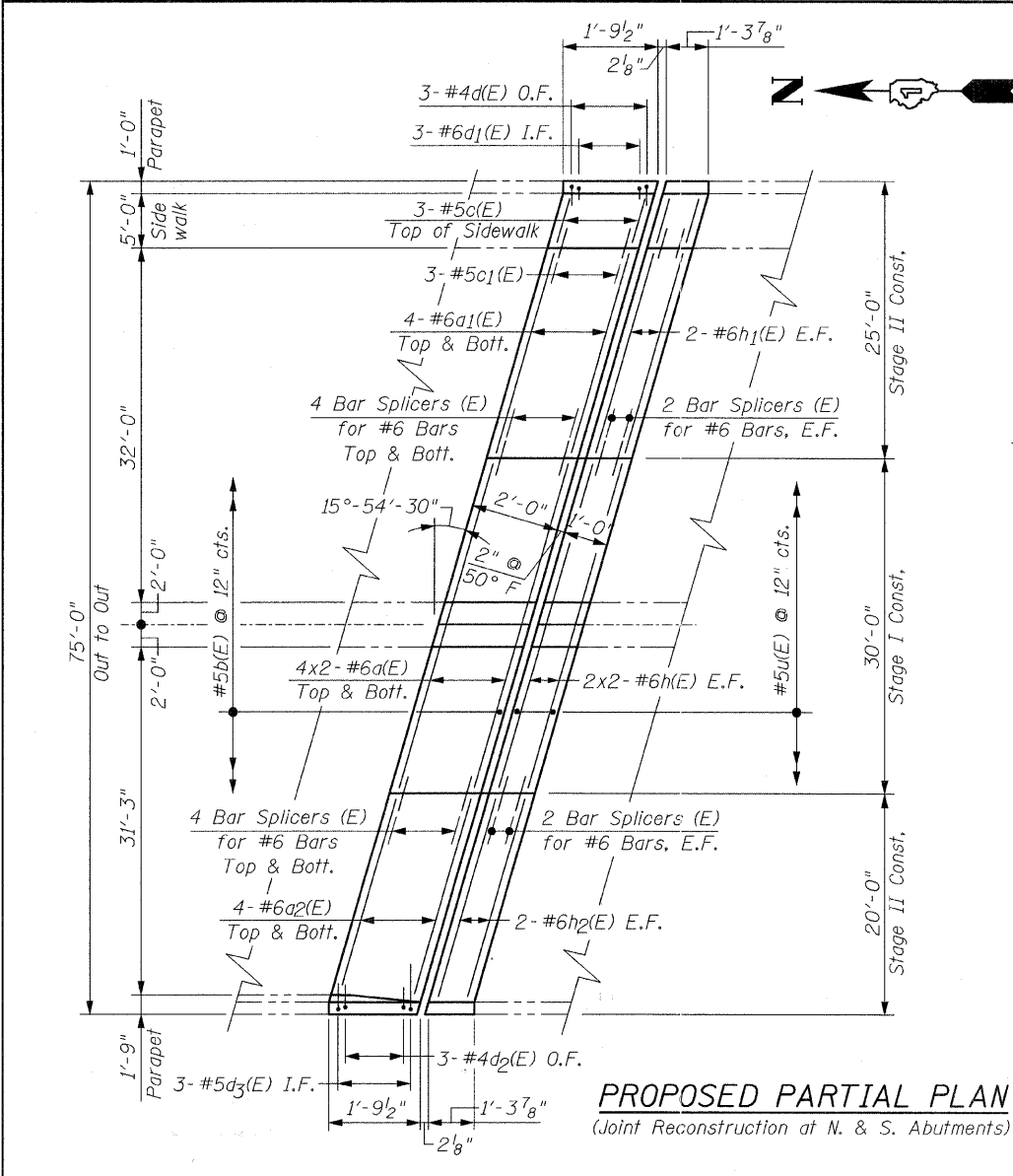
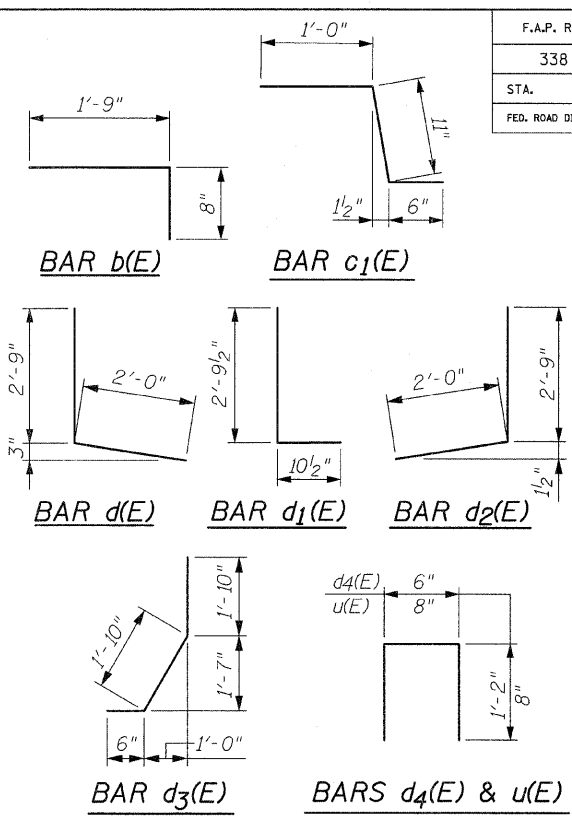
  

Reinforcement Bars, Epoxy Coated	Lb.	4,440
Concrete Removal	Cu. Yd.	23.7
Concrete Superstructure	Cu. Yd.	23.7
Bar Splicers	Each	48
Preformed Jt. Strip Seal	Foot	156



**FOR INFORMATION ONLY**

**NOTE:**  
 Remove Existing Preformed Joint Seal In Walk & Walls and Insert New Both Abutments, East and West Side.



The Contractor must use extreme caution during concrete removal and must not nick, cut or damage in any way, any of the steel beams. The existing Reinforcement Bars extending into the removal area shall be cleaned, straightened and incorporated into the new construction. Any Reinforcement Bars that are damaged during concrete removal shall be replaced with an approved Bar Splicer or Anchorage System. Cost is included with Concrete Removal.  
 Reinforcement Bars shall conform to the requirements of ASTM A-706, Gr. 60. See Special Provisions.  
 Reinforcement Bars designated (E) shall be Epoxy Coated.  
 Cost for removal of existing Neoprene Exp. Joint & Preformed Joint Seal is included in the cost of Concrete Removal.  
 Bars indicated thus 4x2 etc., Indicates 4 lines of bars with 2 lengths per line.

REVISIONS	
NAME	DATE

ILLINOIS DEPARTMENT OF TRANSPORTATION  
 EXPANSION JOINT DETAILS  
 IL. RTE. 59  
 OVER  
 B.N.S.F. R.R.  
 F.A.P. RTE. 338 SECTION: 2007-024 I  
 DuPAGE COUNTY  
 STRUCTURE NO. 022-0144  
 SCALE: NONE DRAWN BY: D.L./F.M.  
 DATE: JANUARY 12, 2009 CHECKED BY: B.N.S./S.J.P.  
**CHRISTIAN-ROGE & ASSOC., INC.**  
 CHICAGO ILLINOIS