

STATE OF ILLINOIS  
DEPARTMENT OF TRANSPORTATION

The diameter of this part is equal or larger than the diameter of bar spliced.

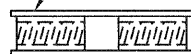
The diameter of this part is the same as the diameter of the bar spliced.

ROLLED THREAD DOWEL BAR



\*\* ONE PIECE

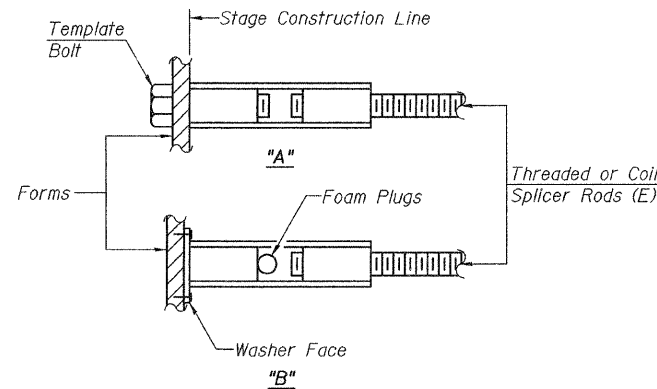
Wire Connector



WELDED SECTIONS

**BAR SPLICER ASSEMBLY ALTERNATIVES**

\*\*Heavy Hex Nuts conforming to ASTM A 563, Grade C, D or DH may be used.



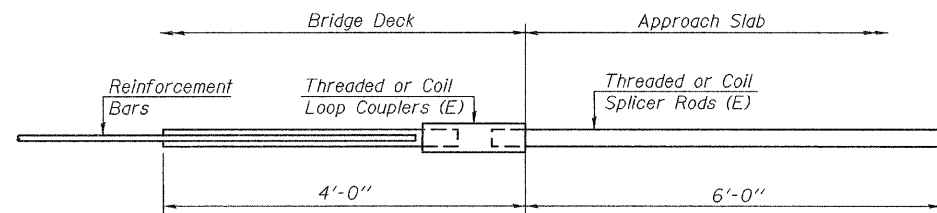
**INSTALLATION AND SETTING METHODS**

"A" : Set bar splicer assembly by means of a template bolt.  
"B" : Set bar splicer assembly by nailing to wood forms or cementing to steel forms.  
(E) : Indicates epoxy coating.

**NOTES**  
Bar splicer assemblies shall be of an approved type and shall develop in tension at least 125 percent of the yield strength of the lapped reinforcement bars.  
Splicer rods shall be of minimum 60 ksi yield strength, threaded or coiled full length.  
All reinforcement bars shall be lapped and tied to the splicer rods or dowel bars.  
Bar splicer assemblies shall be epoxy coated according to the requirements for reinforcement bars.  
Other systems of similar design may be submitted to the Engineer for approval. Approval shall be based on certified test results from an approved testing laboratory that the proposed bar splicer assembly satisfies the following requirements:

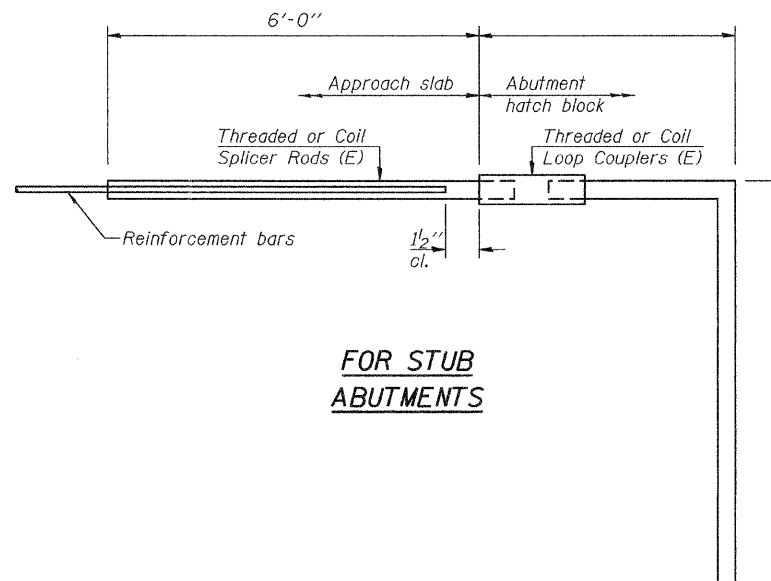
- ① Minimum Capacity (Tension in kips) =  $1.25 \times f_y \times A_t$
  - ② Minimum \*Pull-out Strength (Tension in kips) =  $0.66 \times f_y \times A_t$
- Where  $f_y$  = Yield strength of lapped reinforcement bars in ksi.  
 $A_t$  = Tensile stress area of lapped reinforcement bars.  
\* = 28 day concrete

Bar Size to be Spliced	Splicer Rod or Dowel Bar Length	Strength Requirements	
		Min. Capacity kips - tension	Min. Pull-Out Strength kips - tension
#4	1'-8"	14.7	7.9
#5	2'-2"	23.0	12.3
#6	2'-7"	33.1	17.4
#7	3'-5"	45.1	23.8
#8	4'-6"	58.9	31.3
#9	5'-9"	75.0	39.6
#10	7'-3"	95.0	50.3
#11	9'-0"	117.4	61.8



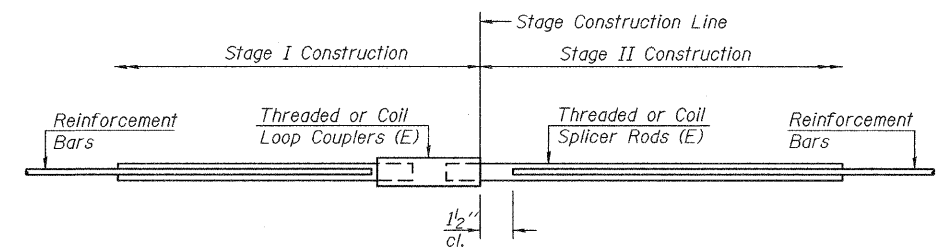
**FOR INTEGRAL OR SEMI-INTEGRAL ABUTMENTS**

Bar Splicer for #5 bar
Min. Capacity = 23.0 kips - tension
Min. Pull-out Strength = 12.3 kips - tension
No. Required =



**FOR STUB ABUTMENTS**

Bar Splicer for #5 bar
Min. Capacity = 23.0 kips - tension
Min. Pull-out Strength = 12.3 kips - tension
No. Required =



**STANDARD**

Bar Size	No. Assemblies Required	Location
#4	100	Approach Slab
#5	184	Approach Slab
#5	160	Approach Footing
#5	52	Deck
#6	12	Abutment

**BAR SPLICER ASSEMBLY DETAILS  
BISHOP FORD EXPRESSWAY (I-94)  
GREENWOOD AVENUE  
COOK COUNTY  
STATION  
STRUCTURE NUMBER 016-0162**

DESIGNED -	
CHECKED -	
DRAWN -	R KING
CHECKED -	

**HOMER L. CHASTAIN & ASSOCIATES, LLP**  
CONSULTING ENGINEERS  
DECATUR (217) 422-8544  
CHICAGO (773) 714-0050  
ROCKFORD (815) 489-0050  
184-001597

BSD-1 10-1-08

SHEET NO. 10	F.A.I. RTE. 94	SECTION (0405,ETC,42-7&0707)RS-11	COUNTY COOK	TOTAL SHEETS 133	SHEET NO. 79
OF 17 SHEETS	BISHOP FORD EXPRESSWAY (I-94)		CONTRACT NO. 60D21		
FED. ROAD DIST. NO. _ ILLINOIS FED. AID PROJECT					