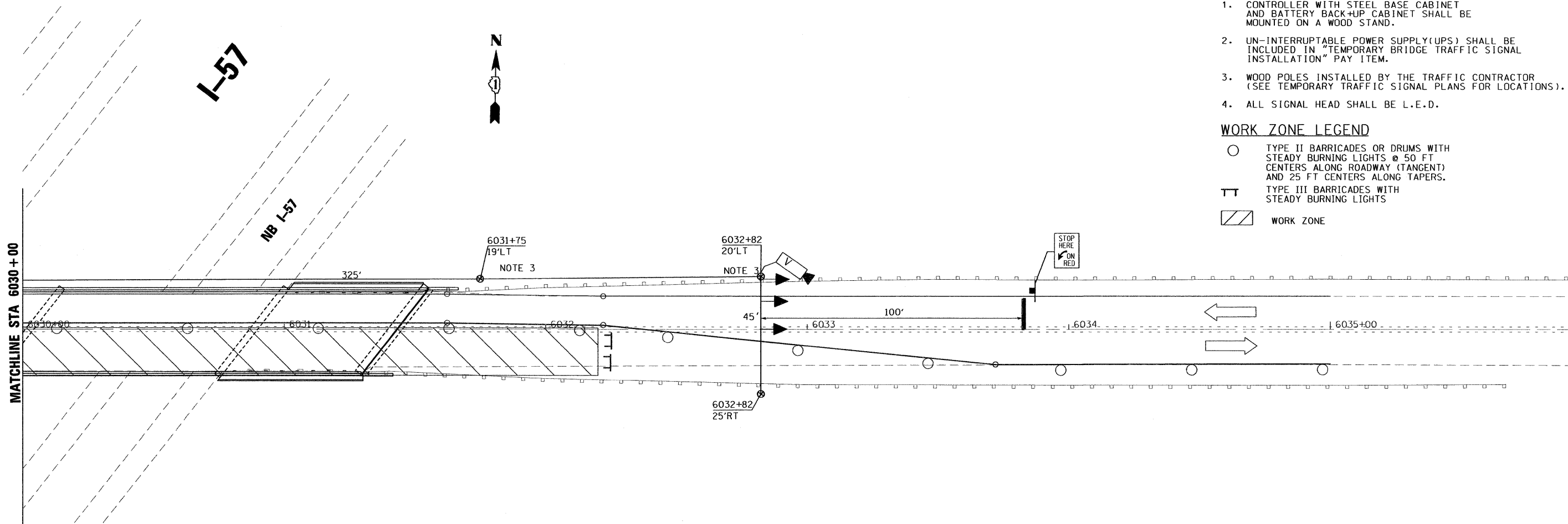


NOTES:

1. CONTROLLER WITH STEEL BASE CABINET AND BATTERY BACK-UP CABINET SHALL BE MOUNTED ON A WOOD STAND.
2. UN-INTERRUPTABLE POWER SUPPLY(UPS) SHALL BE INCLUDED IN "TEMPORARY BRIDGE TRAFFIC SIGNAL INSTALLATION" PAY ITEM.
3. WOOD POLES INSTALLED BY THE TRAFFIC CONTRACTOR (SEE TEMPORARY TRAFFIC SIGNAL PLANS FOR LOCATIONS).
4. ALL SIGNAL HEAD SHALL BE L.E.D.

WORK ZONE LEGEND

- TYPE II BARRICADES OR DRUMS WITH STEADY BURNING LIGHTS @ 50 FT CENTERS ALONG ROADWAY (TANGENT) AND 25 FT CENTERS ALONG TAPERS.
- ⊞ TYPE III BARRICADES WITH STEADY BURNING LIGHTS
- ▨ WORK ZONE



TEMPORARY TRAFFIC SIGNAL LEGEND

- ← TEMPORARY TRAFFIC SIGNAL HEAD SPAN WIRE MOUNTED ORIGINAL LOCATION
- ↔ TEMPORARY TRAFFIC SIGNAL HEAD SPAN WIRE MOUNTED SECONDARY LOCATION
- ⊗ TEMPORARY WOOD POLE (CLASS 5 OR BETTER) 45 FOOT (13.7m) MINIMUM
- ⊞ TEMPORARY CONTROLLER CABINET
- TEMPORARY SPAN WIRE, TETHER WIRE, AND CABLE
- ⊞ TEMPORARY SERVICE INSTALLATION
- ⊞ TEMPORARY PEDESTRAIN SIGNAL HEAD, BRACKET MOUNTED
- ⊙ PEDESTRIAN PUSHBUTTON DETECTOR
- ⊞ EMERGENCY VEHICLE LIGHT DETECTOR
- ⊞ CONFIRMATION BEACON
- VEHICLE DETECTOR, INDUCTION LOOP
- CT COMMON TRENCH
- UD UNIT DUCT
- - - G.S. CONDUIT IN TRENCH OR PUSHED
- ⊞ HEAVY DUTY HANDHOLE
- ⊞ VIDEO VEHICLE SENSOR
- ⊞ UNINTERRUPTABLE POWER SUPPLY

NOTES FOR TEMPORARY TRAFFIC SIGNALS

1. ALL CONTROL EQUIPMENT INCLUDING EMERGENCY PRE-EMPTION AND COMMUNICATION DEVICES FOR THE TEMPORARY TRAFFIC SIGNAL(S) SHALL BE FURNISHED BY THE CONTRACTOR.
2. ONLY CONTROLLERS SUPPLIED BY ONE OF THE DISTRICT APPROVED CLOSED LOOP EQUIPMENT MANUFACTURERS WILL BE APPROVED FOR USE AT TEMPORARY SIGNAL LOCATIONS. ALL CONTROLLERS USED FOR MICROPROCESSOR BASE WITH RS232 DATA ENTRY PORTS COMPATIBLE WITH EXISTING MONITORING SOFTWARE APPROVED BY IDOT DISTRICT 1 INSTALLED IN A NEMA TS1 OR TS2 CABINET. ONLY ONE BRAND OF CONTROLLER WILL BE ACCEPTED FOR ANY ONE CONTRACT.
3. ALL TRAFFIC SIGNAL SECTIONS AND PEDESTRIAN SIGNAL SECTIONS SHALL BE 12". HEADS SHALL BE PLACED AS INDICATED ON THE TEMPORARY TRAFFIC SIGNAL PLAN OR AS DIRECTED BY THE ENGINEER. THE CONTRACTOR SHALL FURNISH ENOUGH CABLE SLACK TO RELOCATE HEADS TO ANY POSITION ON THE SPAN WIRE OR AT LOCATIONS ILLUSTRATED ON THE PLANS FOR CONSTRUCTION STAGING. THE TEMPORARY TRAFFIC SIGNAL SHALL REMAIN IN OPERATION DURING ALL SIGNAL HEAD RELOCATIONS. EACH TEMPORARY TRAFFIC SIGNAL HEAD SHALL HAVE ITS OWN CABLE FROM THE CONTROLLER CABINET TO THE SIGNAL HEAD.
4. ALL EXISTING STREET NAME AND INTERSECTION REGULATORY SIGNS SHALL BE REMOVED FROM EXISTING POLES, RELOCATED AND SECURELY FASTENED TO THE SIGNAL SPAN WIRE OR WOOD POLE AS DIRECTED BY THE ENGINEER.
5. 24" WHITE STOP BAR MUST BE IN PLACE AT THE TIME OF SIGNAL TURN ON.

1/18/2009
 FILE NAME = P:\2007\ME87888_Va-Var-PhI\N\Cadd\W01\Bases\Shr_Peotone\TEMP502PEOT.sht
 PLOT SCALE = 20.0000 / IN.
 USER NAME = Millennia Engineering
 MODEL = MODEL1



200 22ND Street, Suite 216, Lombard, IL 60148
 630.785.8118 voice, 630.839.2566 fax
 www.millenniaeng.com

MILLENNIA ENGINEERING

DESIGNED - TVN	REVISED -
DRAWN - TVN	REVISED -
CHECKED - RPD	REVISED -
DATE - 01/14/09	REVISED -

**STATE OF ILLINOIS
 DEPARTMENT OF TRANSPORTATION**

**FAI 57/I-57
 AT N. PEOTONE/JOLIET RD**

TEMPORARY TRAFFIC SIGNAL PLAN

F.A.I. RTE. 57	SECTION 99-2H-1-1-2	COUNTY WILL	TOTAL SHEETS 34	SHEET NO. 10
CONTRACT NO. 60D65				

SCALE: 1"=20' SHEET NO. OF SHEETS STA. TO STA.

FED. ROAD DIST. NO. 1 [ILLINOIS] FED. AID PROJECT

P:\2007\ME87888_Va-Var-PhI\N\Cadd\W01\Bases\Shr_Peotone\TEMP502PEOT.sht