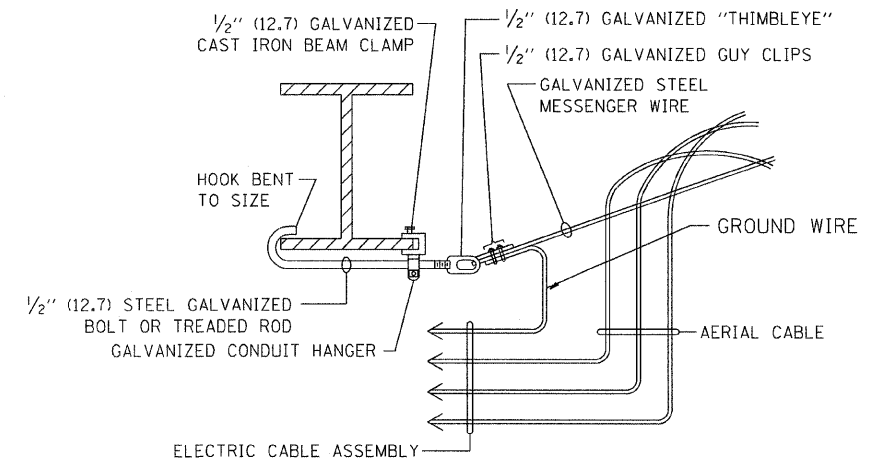


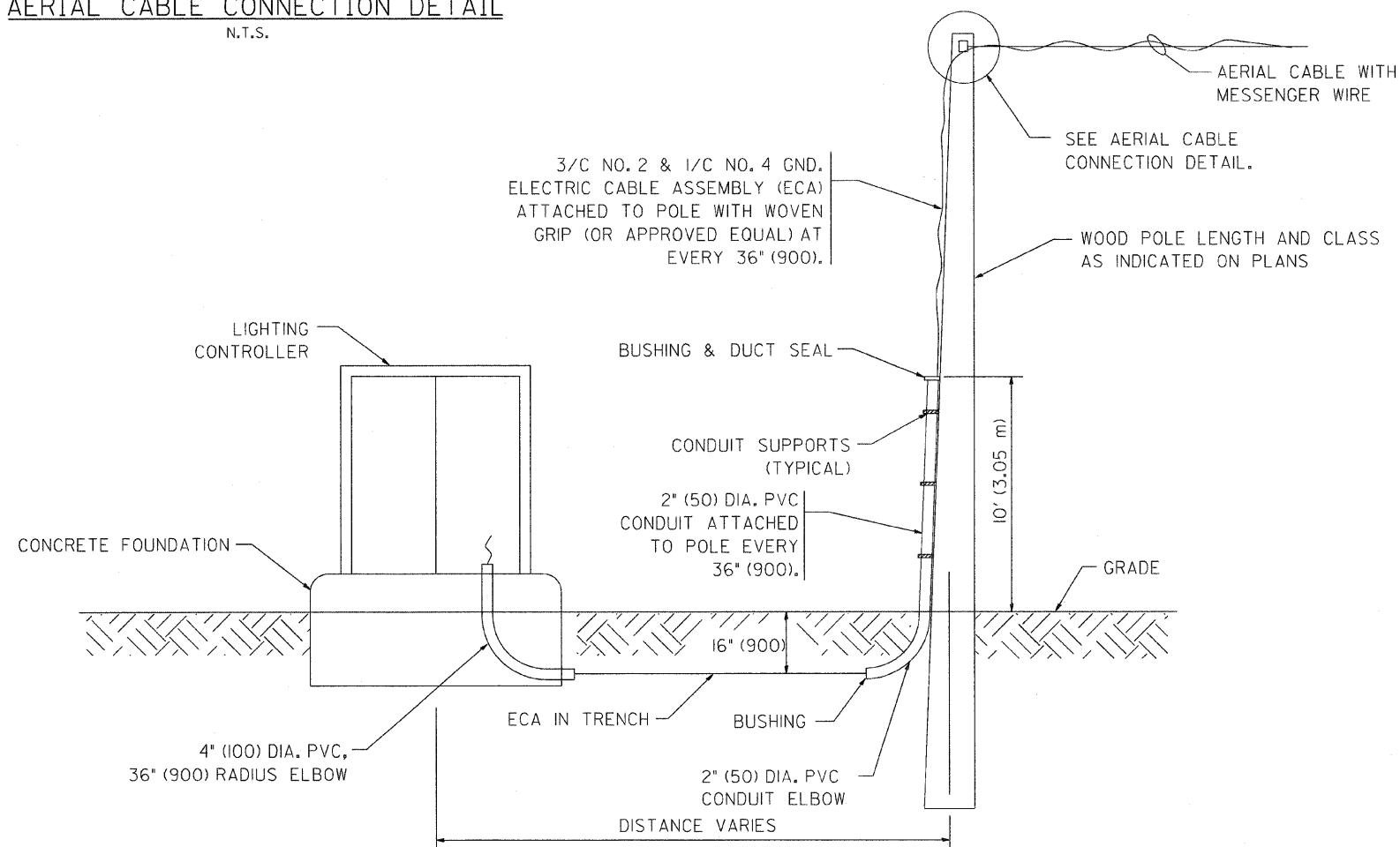
AERIAL CABLE CONNECTION DETAIL
N.T.S.



AERIAL CABLE ATTACHED TO STRUCTURE
NOT TO SCALE

NOTES:

1. ALL DIMENSIONS IN INCHES (MILLIMETERS) UNLESS OTHERWISE INDICATED.
2. SEE PROPOSED LIGHTING PLAN FOR CONDUIT, CABLE AND ROUTING.
3. THE CONTRACTOR SHALL PROVIDE INTERMEDIATE SUPPORTS TO MAINTAIN MINIMUM CLEARANCES. REFER TO AERIAL CABLE ATTACHED TO STRUCTURE DETAIL.
4. COST OF SPLICES AND MOUNTING HARDWARE SHALL BE INCLUDED IN THE UNIT PRICE FOR AERIAL CABLE.



WOOD POLE TO LIGHTING CONTROLLER WIRING CONNECTION DETAIL
N.T.S.

FILE NAME = W:\dietsd\22x34\be001.dgn	USER NAME = geglienobt	DESIGNED -	REVISED - 08-08-03	STATE OF ILLINOIS DEPARTMENT OF TRANSPORTATION	TEMPORARY AERIAL CABLE INSTALLATION			F.A.P. RTE. 330	SECTION 105B-3-I	COUNTY WILL	TOTAL SHEETS 18	SHEET NO. 16
PLOT SCALE = 50.000 / IN.	CHECKED -	REVISOR -	DATE -		SCALE: NONE	SHEET NO. 1 OF 1 SHEETS	STA. 446+29 TO STA. 461+23	BE-801		CONTRACT NO. 60D67		
PLOT DATE = 1/4/2008	DATE -	REVISOR -	DATE -		FED. ROAD DIST. NO. 1 ILLINOIS FED. AID PROJECT							