

SUGGESTED STAGING AND MAINTENANCE OF TRAFFIC

CONSTRUCTION STAGING

PRE-STAGE

- INSTALL TEMPORARY LIGHTING, TEMPORARY BRIDGE TRAFFIC SIGNAL AND TRAFFIC CONTROL DEVICES FOR STAGE I.
- INSTALL PROTECTIVE SHIELDING.

STAGE I - WESTBOUND LANES

- REMOVE EXISTING CONCRETE OVERLAY, PERFORM DECK SLAB REPAIRS, RECONSTRUCT TRANSVERSE JOINTS, AND PLACE LATEX CONCRETE WEARING SURFACE.

STAGE II - EASTBOUND LANES

- REMOVE EXISTING CONCRETE OVERLAY, PERFORM DECK SLAB REPAIRS, RECONSTRUCT TRANSVERSE JOINTS, AND PLACE LATEX CONCRETE WEARING SURFACE.
- SCARIFY AND RESURFACE BRIDGE APPROACH PAVEMENT.
- REMOVE PROTECTIVE SHIELDING.

MAINTENANCE OF TRAFFIC

PRE-STAGE

- USE DAILY LANE CLOSURES TO INSTALL TEMPORARY LIGHTING AND SIGNALS AND PLACE TRAFFIC CONTROL DEVICES FOR STAGE I. USE IDOT STANDARD 701201 - LANE CLOSURE, 2L, 2W, DAY ONLY, FOR SPEEDS > 45 MPH.
- USE NIGHTTIME LANE CLOSURES TO INSTALL PROTECTIVE SHIELDING. USE ISHTA SECTION-E STANDARDS.

STAGE I

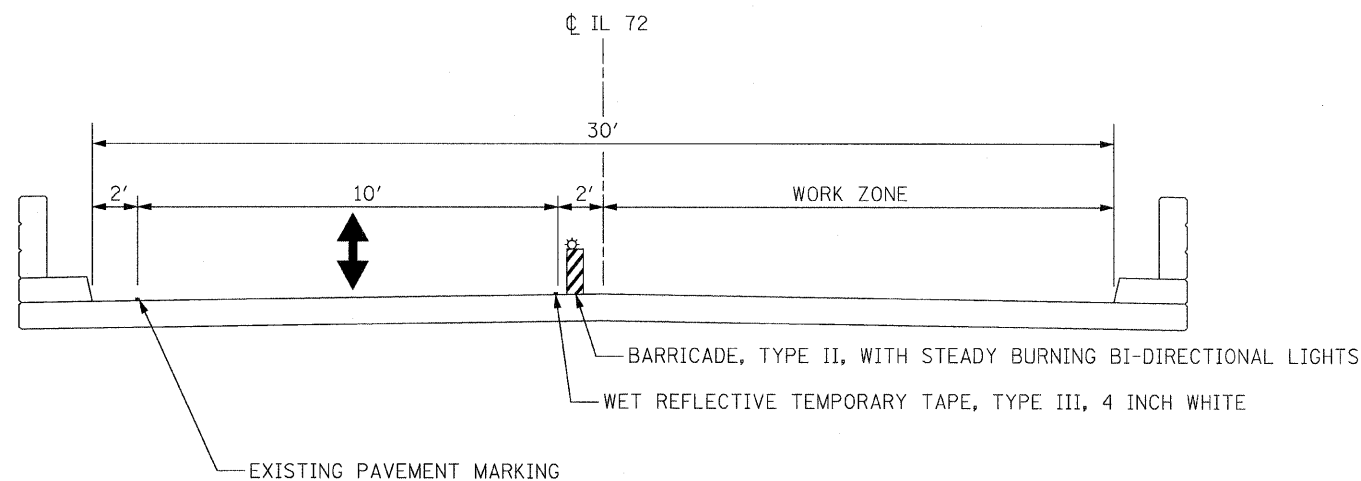
- CLOSE WESTBOUND LANE AS SHOWN ON THE SUGGESTED TRAFFIC CONTROL AND STAGING PLAN AND ON IDOT STANDARD 701316 - LANE CLOSURE, 2L, 2W BRIDGE REPAIR FOR SPEEDS > 45 MPH.
- MAINTAIN ONE-LANE TWO-WAY TRAFFIC ON EASTBOUND PAVEMENT ACROSS BRIDGE.

STAGE II

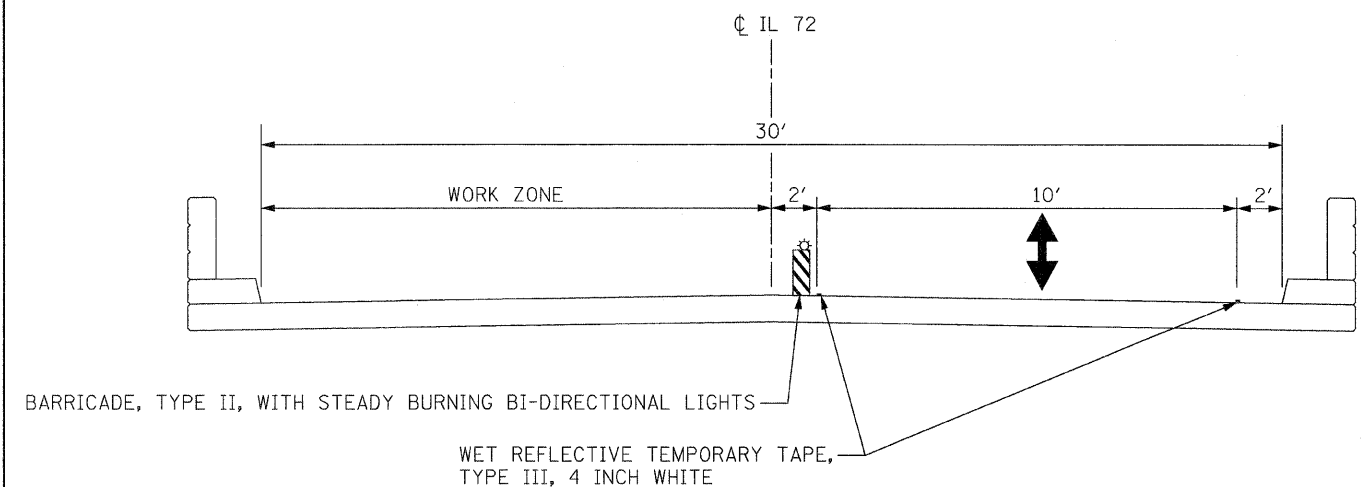
- CLOSE EASTBOUND LANE AS SHOWN ON THE SUGGESTED TRAFFIC CONTROL AND STAGING PLAN AND ON IDOT STANDARD 701316 - LANE CLOSURE, 2L, 2W BRIDGE REPAIR FOR SPEEDS > 45 MPH.
- SHIFT ONE-LANE TWO-WAY TRAFFIC TO WESTBOUND PAVEMENT ACROSS BRIDGE.
- REMOVE TEMPORARY BRIDGE TRAFFIC SIGNALS, LIGHTING AND TRAFFIC CONTROL DEVICES USING DAILY LANE CLOSURES. SEE IDOT STANDARD 701201 - LANE CLOSURE, 2L, 2W, DAY ONLY, FOR SPEEDS > 45 MPH.
- USE NIGHTTIME LANE CLOSURES TO REMOVE PROTECTIVE SHIELDING. USE ISHTA SECTION-E STANDARDS.

TRAFFIC CONTROL GENERAL NOTES

1. USE SUGGESTED TRAFFIC CONTROL AND STAGING PLAN IN CONJUNCTION WITH STANDARD 701316.
2. CONTRACTOR SHALL MAINTAIN SATISFACTORY INGRESS AND EGRESS TO ADJACENT PROPERTIES THROUGHOUT THE CONSTRUCTION.
3. INSTALL TEMPORARY SIGN PANEL ASSEMBLY, AS DIRECTED BY THE ENGINEER, TO BE PAID FOR BY ITEM "TEMPORARY INFORMATION SIGNING FOR LANE CLOSURE".
4. ALL TEMPORARY PAVEMENT MARKING SHALL BE WET REFLECTIVE TEMPORARY TAPE, TYPE III.
5. THE FIRST TWO SIGNS ENTERING THE WORK ZONE SHALL HAVE MONO-DIRECTIONAL FLASHING BEACONS.
6. THE CONTRACTOR SHALL NOT MOUNT TEMPORARY SIGNS ONTO OR OVER EXISTING SIGNS.
7. THE COST OF ADDITIONAL SIGNING SHALL BE INCLUDED THE CONTRACT PRICE FOR TRAFFIC CONTROL AND PROTECTION, STANDARD 701316.



TYPICAL SECTION - STAGE I



TYPICAL SECTION - STAGE II

FILE NAME = 60072 staging1.dgn
PLOT DATE = 1/15/2009



CHRISTIAN-ROGE & ASSOCIATES, INC.
ENGINEERS-PLANNERS-SURVEYORS
211 WEST WACKER DRIVE
CHICAGO, ILLINOIS 60606
PHONE: (312)372-2023 FAX: (312)372-5274

DESIGNED	- S.J.P.	REVISED	-
DRAWN	- A.Y.	REVISED	-
CHECKED	- E.J.M.	REVISED	-
DATE	- JANUARY 15, 2009	REVISED	-

**STATE OF ILLINOIS
DEPARTMENT OF TRANSPORTATION**

**SUGGESTED MAINTENANCE OF TRAFFIC NOTES AND DETAILS
IL 72**

SCALE: NONE SHEET NO. 1 OF 2 SHEETS STA. 179+00 TO STA. 194+00

F.A.P. RTE.	SECTION	COUNTY	TOTAL SHEETS	SHEET NO.
341	N-4-C-1	KANE	32	7
CONTRACT NO. 60D72				
FED. ROAD DIST. NO. 1 ILLINOIS FED. AID PROJECT				