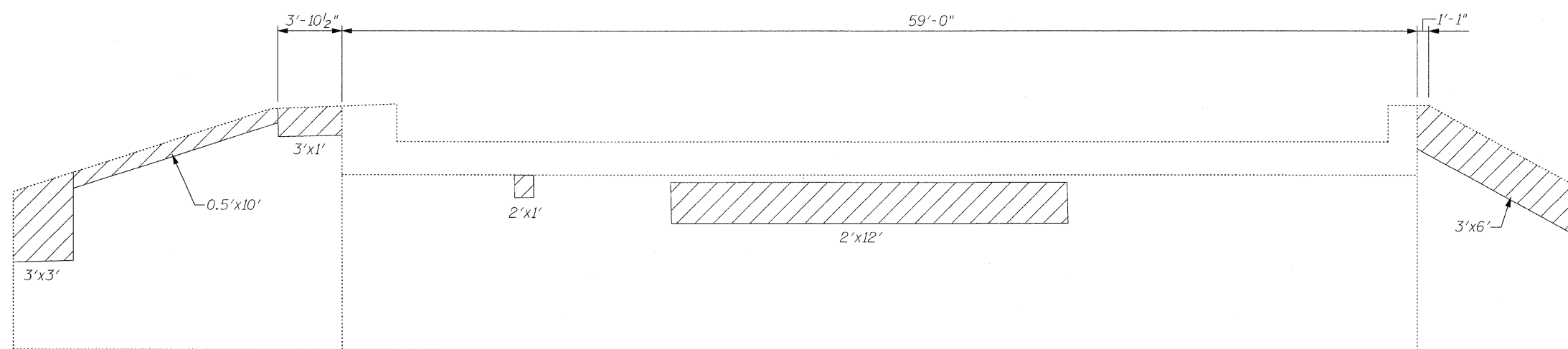
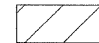



SOUTH ABUTMENT



NORTH ABUTMENT

**LEGEND**

-  Structural Repair of Concrete  
(Depth Equal to or Less Than 5 In.)  
= 108 S.F.
-  Structural Repair of Concrete  
(Depth Greater Than 5 In.)  
= 6 S.F.

**CR & A**  
 CHRISTIAN-ROGE & ASSOCIATES, INC.  
 ENGINEERS / PLANNERS / SURVEYORS  
 211 W. WACKER DRIVE CHICAGO, IL 60606  
 PHONE: (312)372-2023 FAX: (312)372-6274

FILE NAME = abutment_repairs.sht	USER NAME = IDOT	DESIGNED - B.N.S.	REVISED -	<b>STATE OF ILLINOIS DEPARTMENT OF TRANSPORTATION</b>	<b>ABUTMENT REPAIRS IL. RTE. 102 OVER RAYNS CREEK</b>		F.A.P. RTE. 631	SECTION 111 N-B-I	COUNTY WILL	TOTAL SHEETS 20	SHEET NO. 14
	PLOT SCALE = 50,000 ' / IN.	DRAWN - R.E.S./D.L./F.M.	REVISED -		<b>S.N. 099-0170</b>				<b>CONTRACT NO. 60D73</b>		
	PLOT DATE = 1/12/2009	CHECKED - B.N.S./J.C.N./S.J.P.	REVISED -				SCALE:	SHEET NO. S4 OF S5 SHEETS	STA. TO STA.	FED. ROAD DIST. NO. ILLINOIS FED. AID PROJECT	
	DATE - JANUARY 12, 2009	REVISED -									