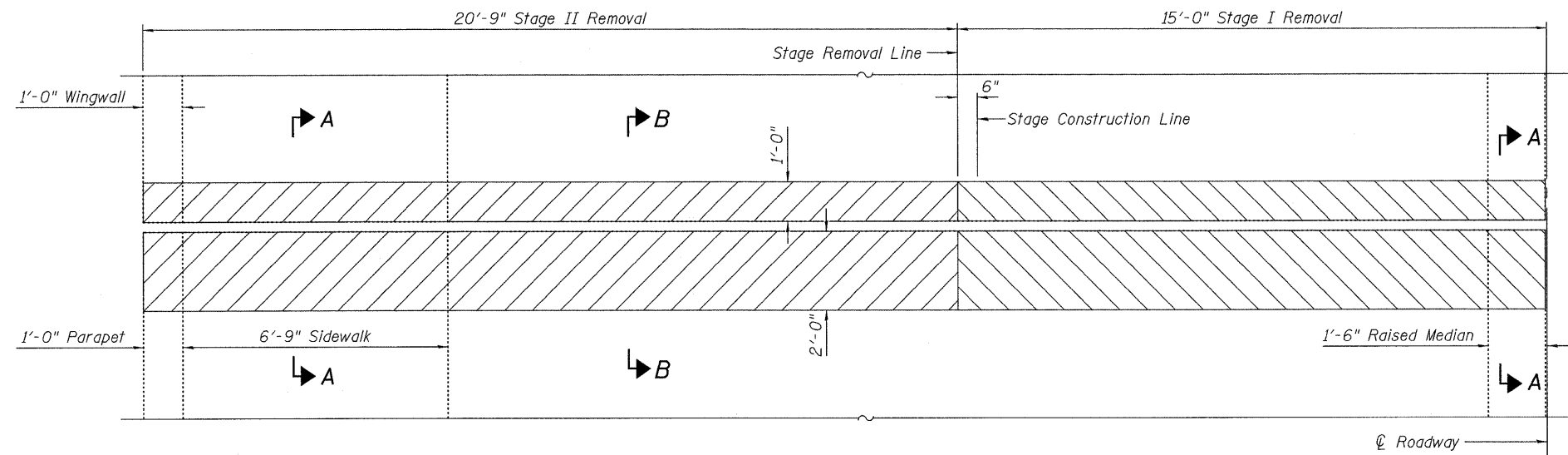
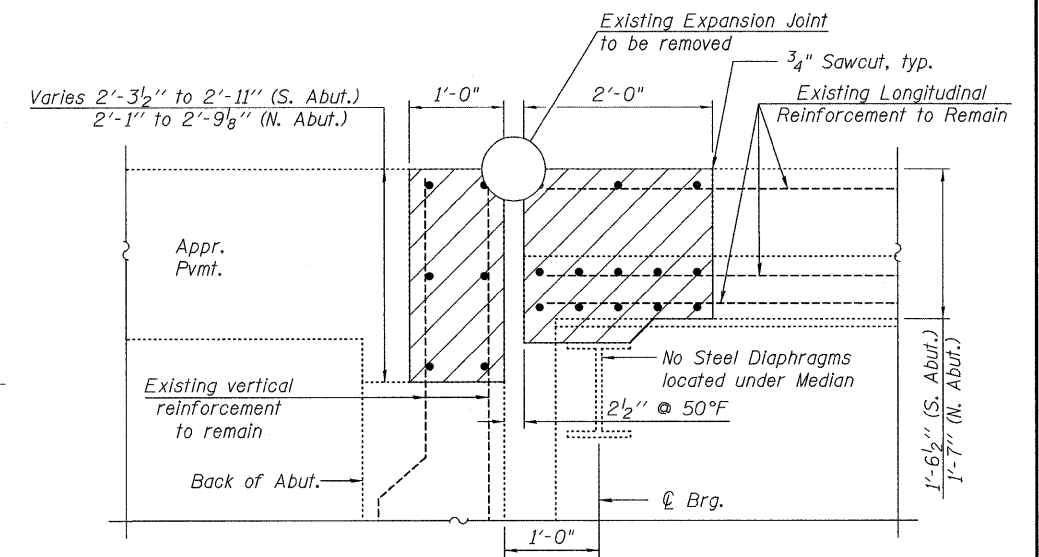


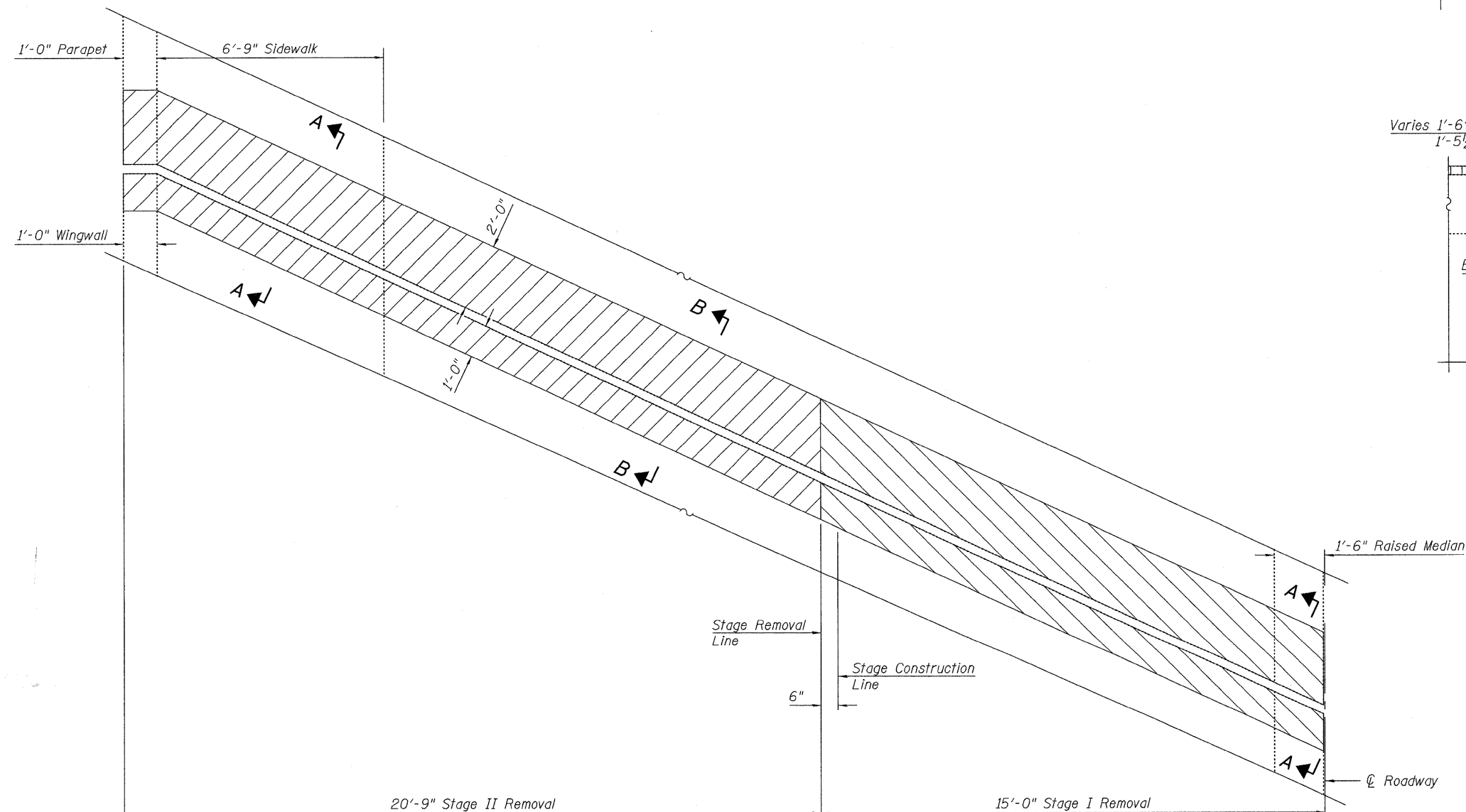
Contract # 60D74



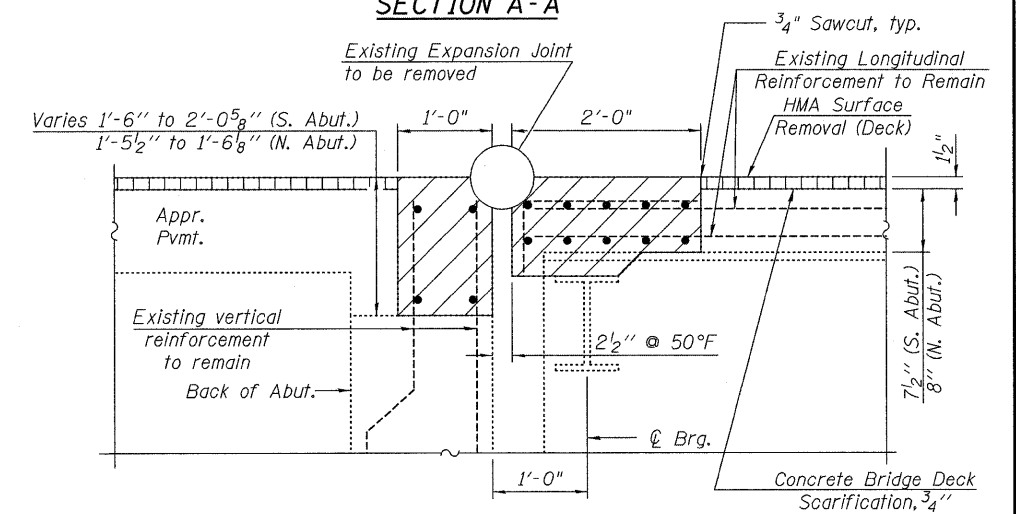
**JOINT REMOVAL HALF PLAN AT NORTH ABUTMENT**  
(West half of North Joint shown, other half similar)



**SECTION A-A**



**JOINT REMOVAL HALF PLAN AT SOUTH ABUTMENT**  
(West half of South Joint shown, other half similar)



**SECTION B-B**

**NOTES:**

Removal of the existing expansion joints will not be paid for separately but shall be included in the cost for Concrete Removal.

Hatched areas indicate concrete sections to be removed. Care shall be exercised by the contractor during and following Concrete Removal operations to ensure that the existing rebar remaining in place are not damaged. All existing reinforcement to be incorporated into new construction shall be blast-cleaned, straightened, and properly positioned prior to concrete placement. Any reinforcement damaged during Concrete Removal shall be repaired or replaced using an approved Bar Splicer or Mechanical System. Cost included with Concrete Removal.

Concrete Removal is included in the Bill of Material on sheet 12 of 35.

See Sheet 1 and 2 of 35 for skew angle at joint.

<p>Excellence through Ownership</p> <p>200 West Front Street Wheaton, IL 60187</p>	<p>ILLINOIS DEPARTMENT OF TRANSPORTATION EXPANSION JOINT REMOVAL AT ABUTMENTS BURNHAM AVE OVER STATE ST, R.R. &amp; RIVER FAU RTE 2943 SECTION 1212.8-I-1 COOK COUNTY STATION 231+79.04 STRUCTURE NO. 016-0806</p>
	<p>DATE: 1-14-2009</p> <p>DRAWN BY: WJV CHECKED BY: BLB</p>