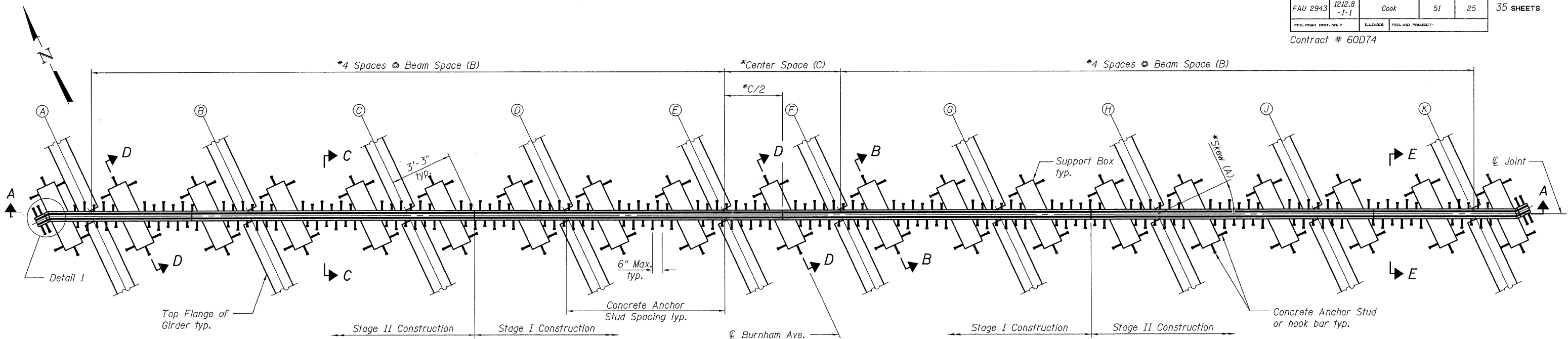
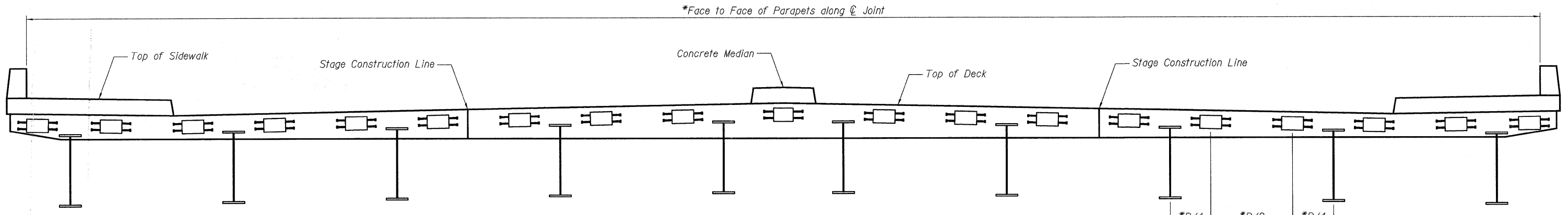


Contract # 60D74



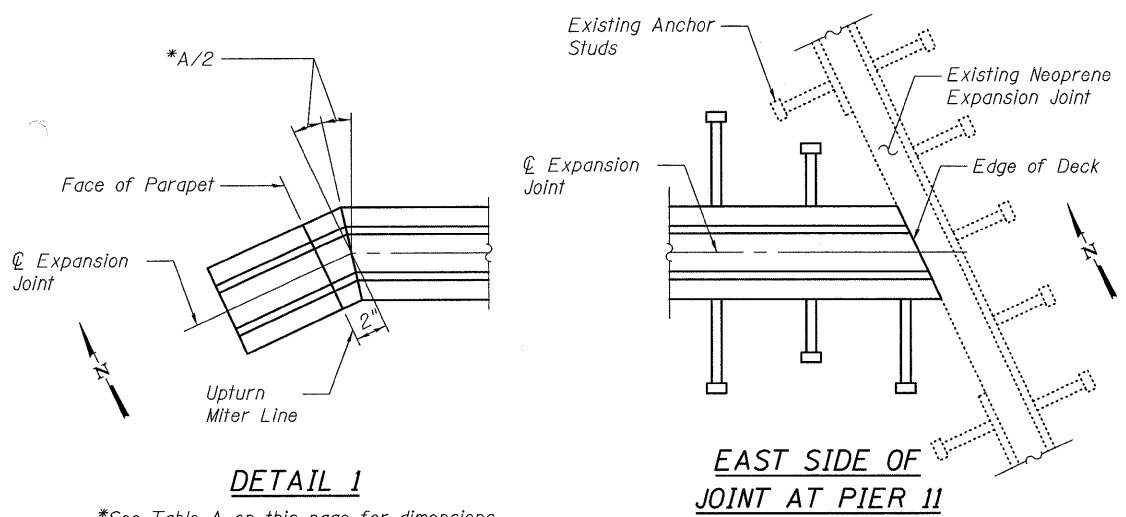
PLAN - MODULAR EXPANSION JOINT

Joint at Piers 7, 11 and 21 shown
See sheet 15 of 35 for Section A-A of Joint at Pier 21
East end of Joint at Pier 11 continues straight to edge of deck
*See Table A on this page for dimensions



SECTION A-A

Joint at Piers 7 and 11 shown
The Deck at Pier 11 has no Raised Median or East Sidewalk and Parapet
*See Table A on this page for dimensions



NOTES:

- See sheet 15 of 35 for Modular Expansion Joint notes and Bill of Material
- See sheet 16 of 35 for Sections B-B, C-C, D-D, and E-E.

TABLE A

Location	Type of Expansion Joint	Longitudinal Movement along C Bridge	Differential Movement at Face of Parapets	Skew (A)	Beam Space (B)	Center Space (C)	Face to Face of Parapets
Pier 7	Modular, 6"	4 ³ / ₈ "	0"	24° 17' 54"	8'-2 ³ / ₈ "	6'-0 ³ / ₈ "	76'-3"
Pier 11	Modular, 6"	3 ⁷ / ₈ "	0"	24° 4' 22"	8'-2 ⁵ / ₈ "	6'-0 ¹ / ₄ "	**77'-9 ¹ / ₂ "
Pier 21	Modular-Swivel, 6"	3 ⁷ / ₈ "	±1/4"	25° 0' 0"	8'-3 ¹ / ₄ "	6'-0 ³ / ₈ "	76'-8 ¹ / ₄ "
Pier 24	Modular, 6"	4 ³ / ₄ "	0"	0°	7'-6"	5'-6"	69'-6"

**The East side of the Deck at Pier 11 has no Sidewalk or Parapet. Dimension shown is from the Face of the West Parapet to the East edge of the Deck along the Joint.

rjngroup
Excellence through Ownership
200 West Front Street
Wheaton, IL 60187

ILLINOIS DEPARTMENT OF TRANSPORTATION
MODULAR JOINT
AT PIERS 7, 11 & 21
BURNHAM AVE OVER STATE ST, R.R. & RIVER
FAU RTE 2943 SECTION 1212.8-I-1
COOK COUNTY
STATION 231+79.04
STRUCTURE NO. 016-0806
DATE: 1-14-2009
DRAWN BY LCM
CHECKED BY BLB

1/13/2009 K:\11225503\Structures\Burnham Ave. Over R.R. & River\Final Plans\Mod_Joints.dgn