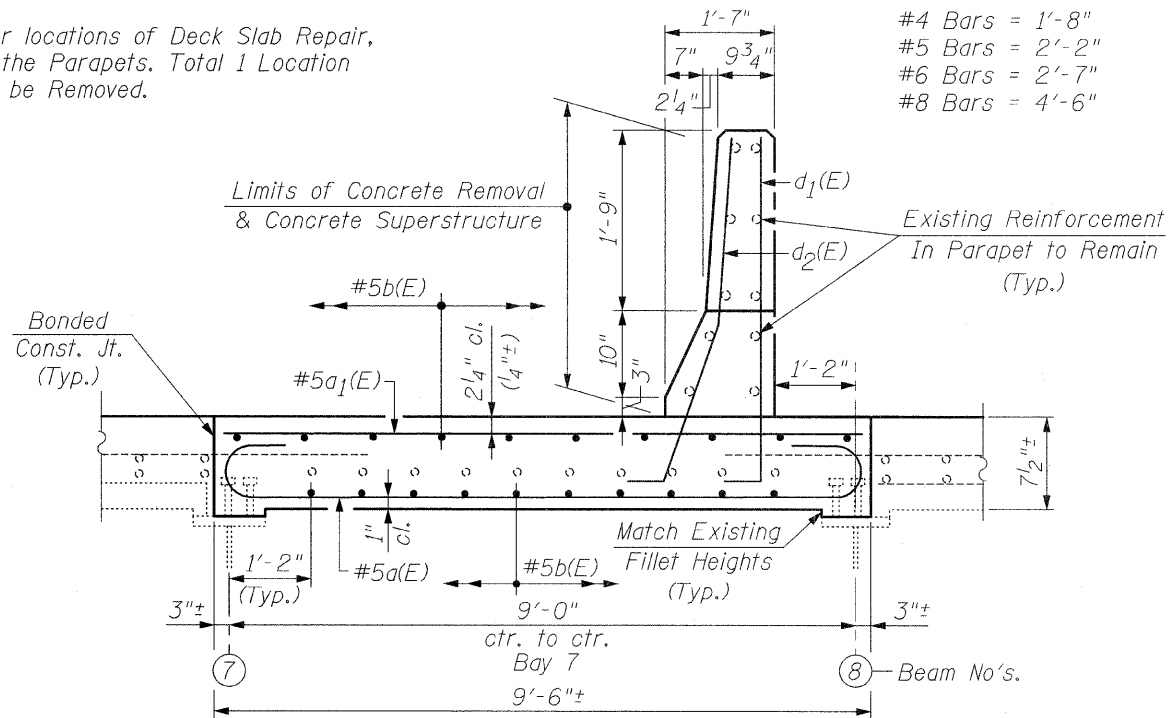


** See Sht. S6 for locations of Deck Slab Repair, (Full Depth) at the Parapets. Total 1 Location with 1 Plank to be Removed.

MIN. BAR LAP:

- #4 Bars = 1'-8"
- #5 Bars = 2'-2"
- #6 Bars = 2'-7"
- #8 Bars = 4'-6"



SECTION C-C
DECK & PARAPET RECONSTRUCTION DETAILS

REINFORCEMENT SCHEDULE

(Per Plank)

Bar	No.	Size	Length	Shape
a(E)	7	#5	10'-4"	
a1(E)	9	#5	9'-2"	
b(E)	20	#5	3'-8"	
d1(E)	5	#4	3'-8"	
d2(E)	5	#5	3'-11"	

NOTES:

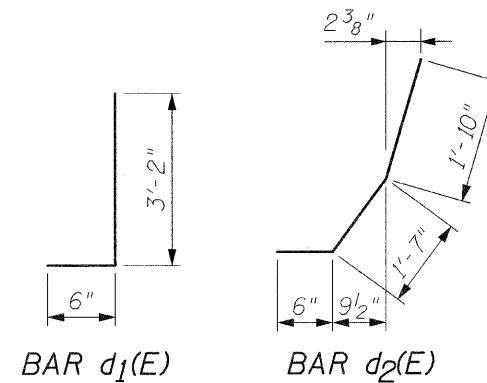
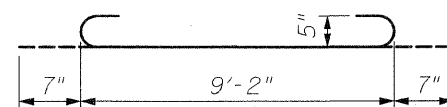
The Contractor shall locate and verify the exact location of the boundaries of the existing PPC Plank being removed prior to Saw cutting and removal. The Contractor must adjust Reinforcement based on the actual Joint location. The Contractor shall use extreme care during Concrete Removal to avoid damaging the adjacent existing PPC Planks that are to remain in place. If the Resident Engineer determines that the existing Planks that are to remain are damaged due to the Contractor's operations, the damaged Planks shall be repaired or replaced at the Contractor's expense.

Perimeters of Concrete Removal areas shall be saw cut $\frac{3}{4}$ " prior to removal of the Concrete Wearing Surface and Deck Planks.

Existing Reinforcement Bars in the Deck extending into the Removal area shall be cut as required to provide minimum Bar Lap. If the length of removal, as measured parallel to the Centerline of Roadway, is less than the required Bar Lap, the existing Longitudinal Reinforcement Bars shall not be cut.

Existing Reinforcement Bars extending into the Removal area shall be cleaned, straightened and incorporated into the new Construction. Any Reinforcement Bars that are damaged during Concrete Removal shall be replaced with an approved Bar Splicer or Anchorage System. Cost included with Deck Slab Repair (Full Depth, Type II).

Top of patch to match top of Proposed Overlay.



BILL OF MATERIAL

Item	Unit	Quantity
Deck Slab Repair (Full Depth, Type II)	Sq. Yd.	4
Reinforcement Bars, Epoxy Coated	Pound	270
Concrete Removal	Cu. Yd.	0.5
Concrete Superstructure	Cu. Yd.	0.5
Protective Coat	Sq. Yd.	3

