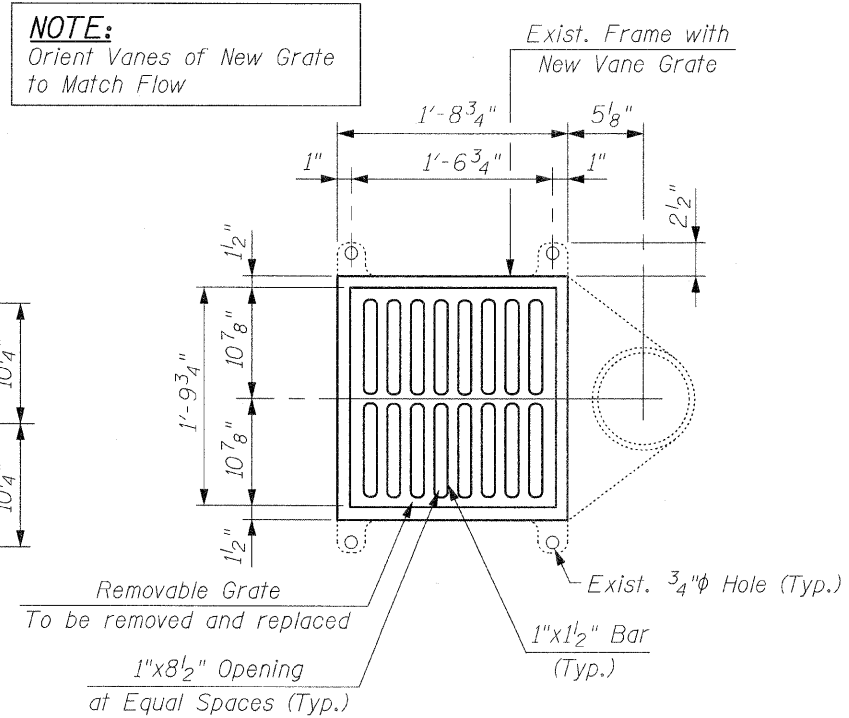


**TYPICAL PLAN AT SIDE CURBS**  
(44 Locations)



**TYPICAL PLAN AT MEDIAN**  
(9 Locations)

**NOTE:**  
Orient Vanes of New Grate to Match Flow

**NOTES:**

All Cast Iron parts shall be Gray Iron conforming to the requirements of AASHTO M 105, Class 35B.

Bolts, Anchor Studs, Washers and Nuts shall conform to the requirements of ASTM A 307 and shall be Galvanized according to AASHTO M 232.

Cast Iron parts shall be unfinished.

The Contractor shall take appropriate measures to assure that Protective Coat is not applied to the Scuppers.

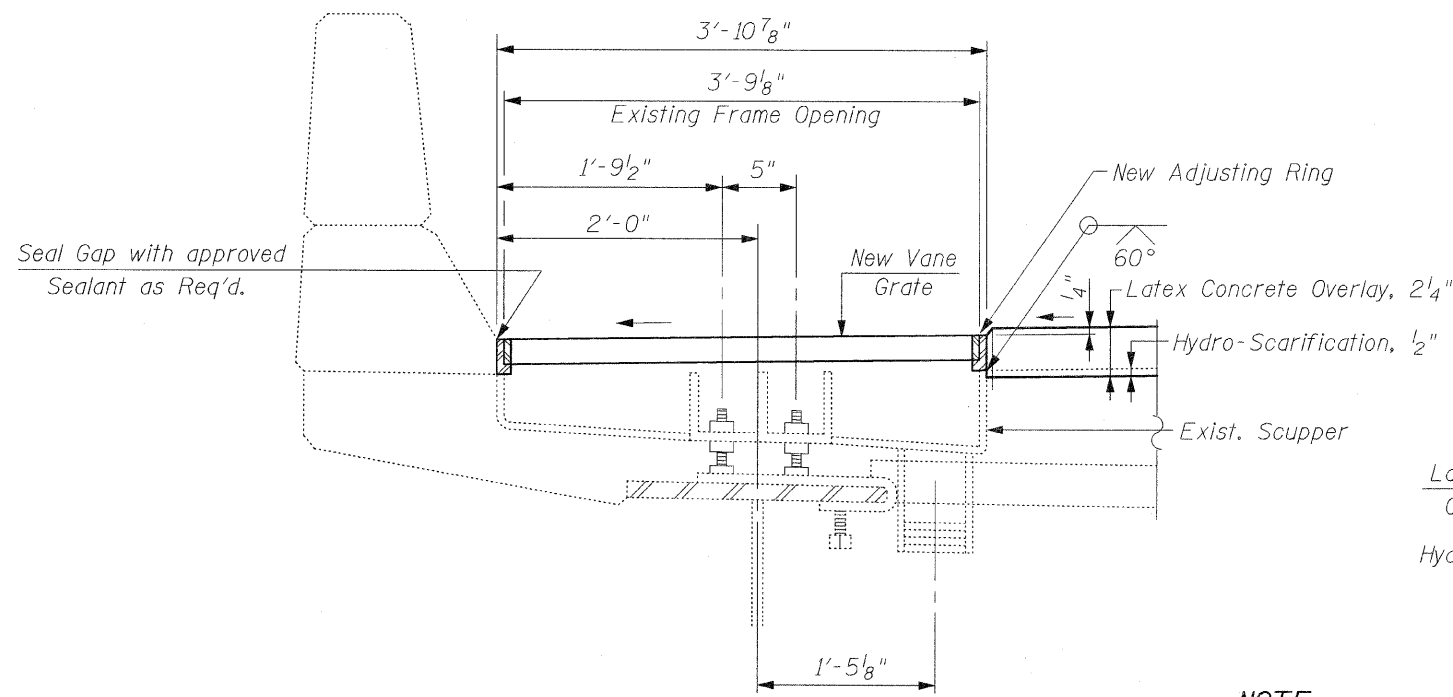
Adjusting Ring and Grates shall be from Neenah or approved equal. Structural Steel weldments or equal sections and of the same configuration may be substituted for Cast Iron. Fillet or full Penetration Welds may be used for weldments. Details shall be submitted to the Engineer for approval.

Provide a 1/8" Fillet Weld around perimeter of new Adjusting Ring to secure to existing Scupper. Electrode shall be compatible with cast Iron.

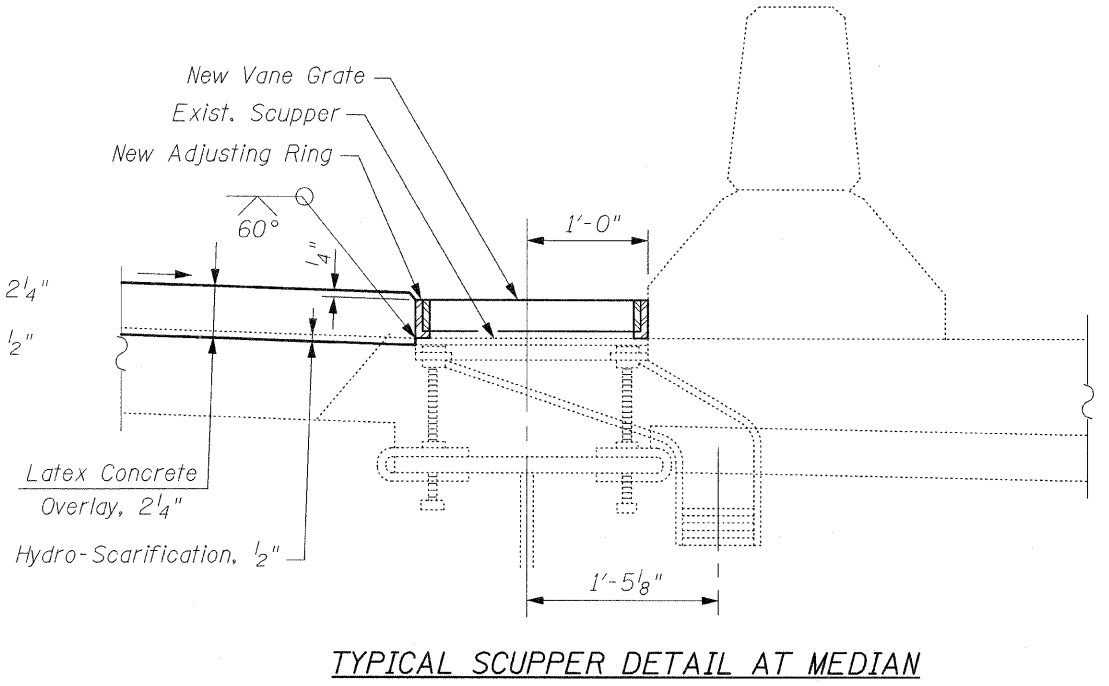
Cost of all labor and materials necessary to remove and dispose of existing grates, clean existing scuppers, install adjusting scupper rings, fabricate and install new grates is included in the cost per unit each for Drainage Structures to be Adjusted.

**BILL OF MATERIAL**

Item	Unit	Quantity
Drainage Structures To Be Adjusted	Each	53



**TYPICAL SCUPPER DETAIL AT WEST CURB (SHOWN)**  
**TYPICAL SCUPPER DETAIL AT EAST CURB (OPP. HAND)**



**TYPICAL SCUPPER DETAIL AT MEDIAN**

**NOTE:**

The Contractor shall field verify Existing Dimensions and Details of the Existing Scuppers and make necessary adjustments prior to construction of New Adjusting Ring or ordering of material for Adjusting Drainage Scuppers

**CR & A** CHRISTIAN-ROGE & ASSOCIATES, INC.  
ENGINEERS / PLANNERS / SURVEYORS  
211 W. WACKER DRIVE CHICAGO, IL 60606  
PHONE: (312)372-2023 FAX: (312)372-5274