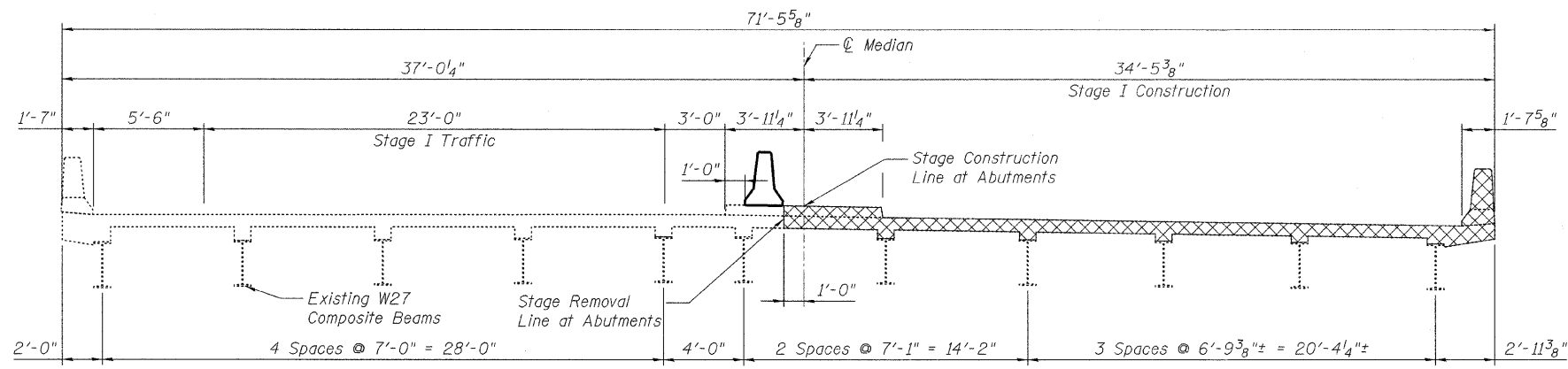
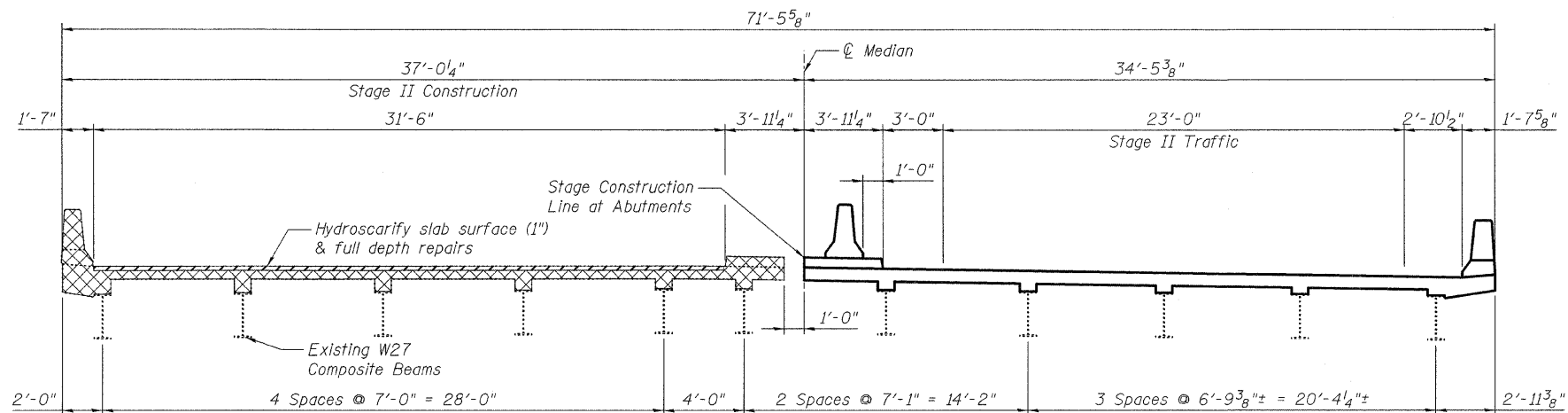


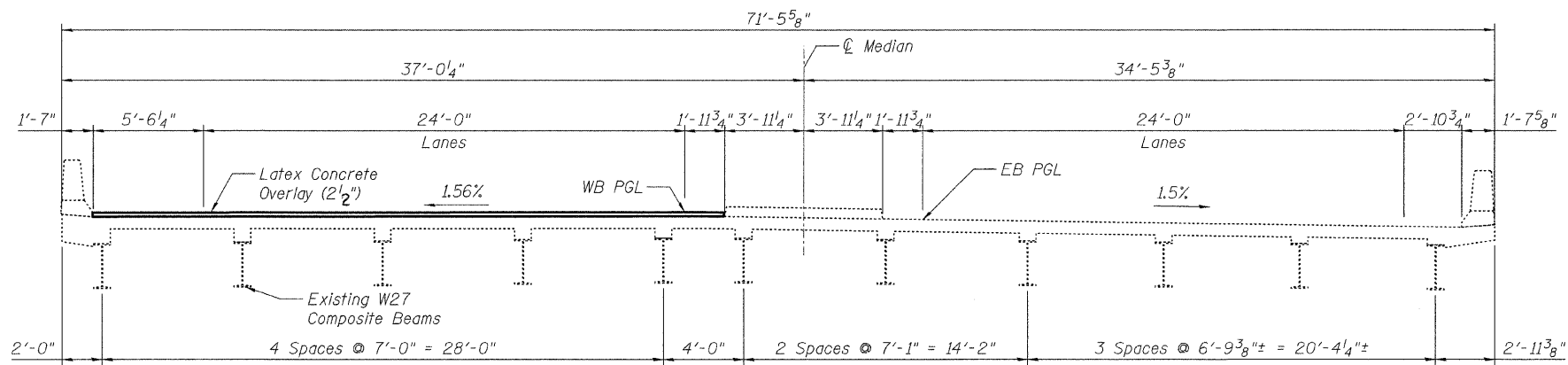
STATE OF ILLINOIS
DEPARTMENT OF TRANSPORTATION



STAGE 1 CONSTRUCTION
At expansion joint looking East



STAGE 2 CONSTRUCTION
At expansion joint looking East



STAGE 2 CONSTRUCTION
Typical deck section looking East

LEGEND:

Concrete Removal See note 3

NOTES:

1. Stage I Construction work includes removal and replacement of expansion joints on EB Lanes at both abutments, Stage II Construction includes removal of expansion joint on WB lanes at both abutments.
2. See Sheet S3 for Temporary Concrete Barrier Details.
3. Concrete deck and parapet removal limited to 2'-0" from the ends of deck see Sheet S4.

STAGE CONSTRUCTION DETAILS
US 30 OVER SOUTH RIVER STREET
STA. 280+57.0
S.N. 047-0030

DESIGNED	B. Sauter
CHECKED	E. Mroczek
DRAWN	R. Danley
CHECKED	B. Sauter

Giorba Group, Inc.
CONSULTING ENGINEERS
5507 North Cumberland Avenue, Suite 402 Chicago, Illinois 60656
Tel. 773.775.4009 Fax 773.775.4014 Email chicago@giorba.com

SHEET NO. S2	F.A.P. RTE.	SECTION	COUNTY	TOTAL SHEETS	SHEET NO.
	349	11 HB-1	KENDALL	26	14
S9 SHEETS	CONTRACT NO.			60D83	
FED. ROAD DIST. NO.		ILLINOIS	FED. AID PROJECT		

1/13/2009 rdanley m:\proj\3329\3329_28\design\structural\cadd\shh\3329_28_02 Stage Construction.sht