

HOT-MIX ASPHALT MIXTURE REQUIREMENTS			
ROADWAY NAME	MIXTURE TYPE	AC TYPE	AIR VOIDS
DES PLAINES AVENUE	POLYMERIZED HOT-MIX ASPHALT SURFACE COURSE, MIX "F", N90 (IL-9.5mm)	SBS/SBR PG 70-22	4% @ 90 GYR
	POLYMERIZED LEVELING BINDER (MACHINE METHOD), IL-4.75, N50	SBS/SBR PG 76-28/22	4% @ 50 GYR
	CLASS D PATCHES (HMA BINDER, IL-19)	* PG 64-22	4% @ 70 GYR.
	HMA REPLACEMENT OVER PATCHES (HMA BINDER, IL-19)	* PG 64-22	4% @ 70 GYR.

* WHEN RAP EXCEEDS 20%, THE NEW ASPHALT BINDER IN THE MIX SHALL BE PG 58-22.
THE UNIT WEIGHT USED TO CALCULATE ALL HMA SURFACE MIXTURE QUANTITIES IS 112 LBS/SQ YD/IN.

THE FOLLOWING RATES OF APPLICATION HAVE BEEN USED TO CALCULATE THE PLAN QUANTITIES:

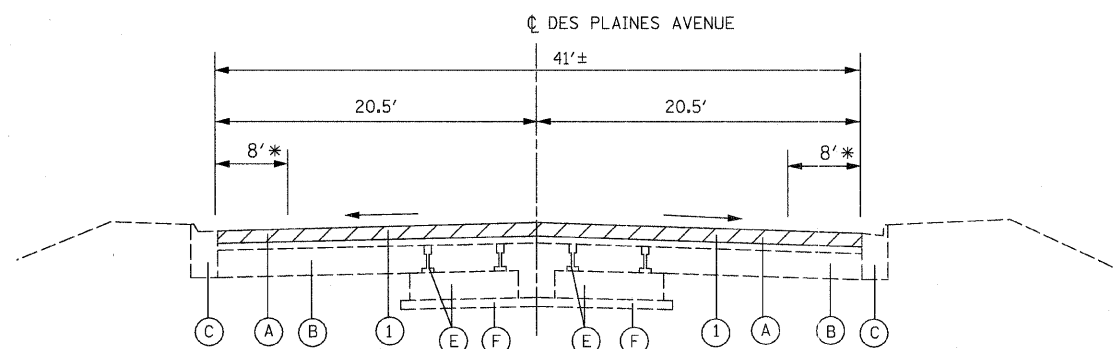
BITUMINOUS MATERIALS (PRIME COAT) 0.100 GAL / SQ YD
BITUMINOUS MATERIALS (AGGREGATE) 4 LBS / SQ YD

EXISTING CONDITIONS:

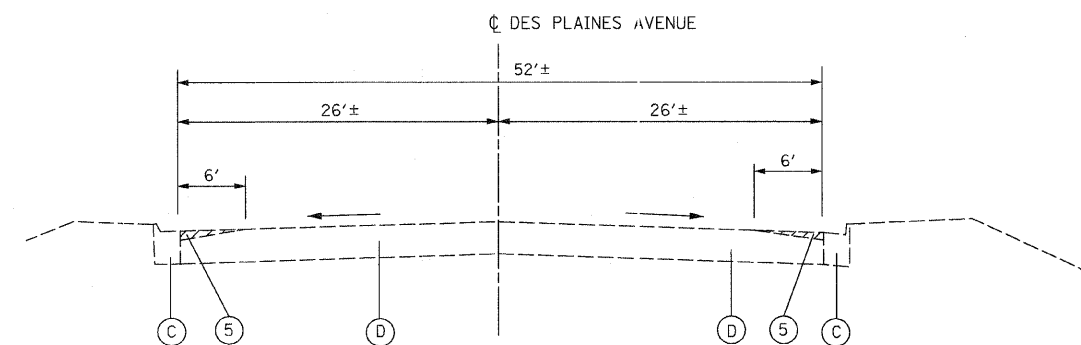
- (A) HOT-MIX ASPHALT SURFACE AND BINDER COURSE, 2 1/2" - 4"
- (B) EXISTING PAVEMENT, 7" - 9"
- (C) COMBINATION CONCRETE CURB AND GUTTER, TYPE B-6.12
- (D) EXISTING CONCRETE PAVEMENT, 10"
- (E) EXISTING STREET CAR TRACKS (RAILS AND TIES)
- (F) EXISTING STONE BALLAST

PROPOSED IMPROVEMENTS:

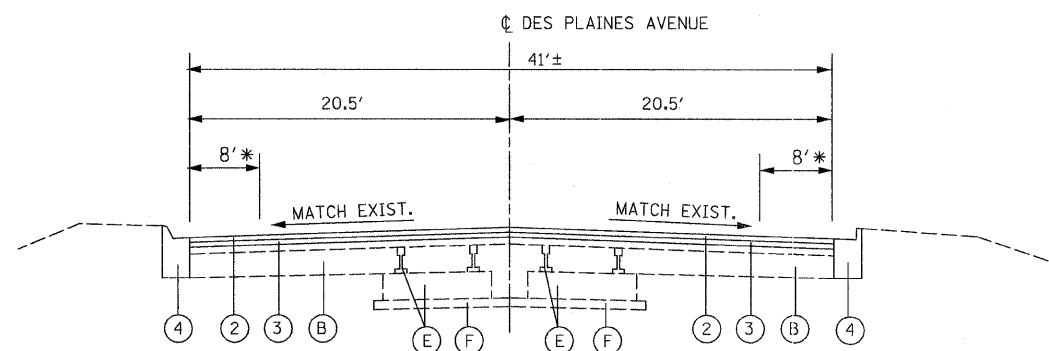
- (1) HOT-MIX ASPHALT SURFACE REMOVAL, 2 1/2"
- (2) POLYMERIZED HOT-MIX ASPHALT SURFACE COURSE, MIX "F", N90, 1 3/4"
- (3) POLYMERIZED LEVELING BINDER (MACHINE METHOD), IL-4.75, N50, 3/4"
- (4) COMBINATION CONCRETE CURB & GUTTER REMOVAL AND REPLACEMENT
- (5) P.C.C. SURFACE REMOVAL (VARIABLE DEPTH)



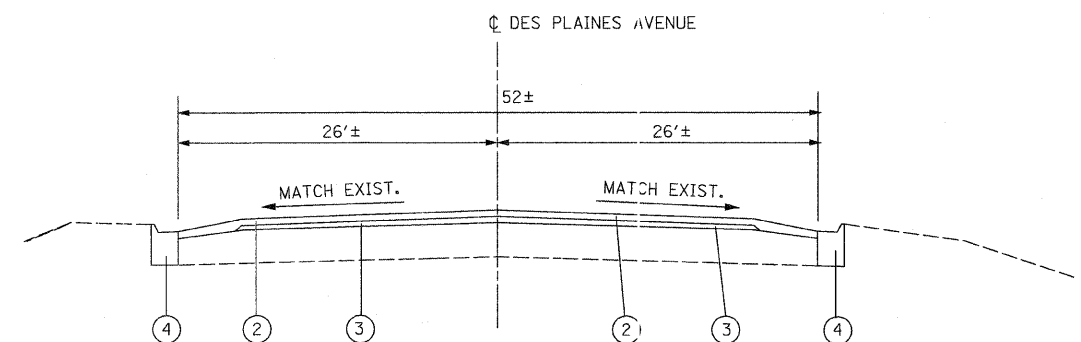
EXISTING TYPICAL SECTION
STA. 14+48 TO STA. 42+75 &
STA. 57+30 TO STA. 84+63



EXISTING TYPICAL SECTION
STA. 42+75 TO STA. 57+30
(OMISSION STA. 46+65 TO 48+73, APPROACH SLAB AND BRIDGE)



PROPOSED TYPICAL SECTION
STA. 14+48 TO STA. 42+75 &
STA. 57+30 TO STA. 84+63



PROPOSED TYPICAL SECTION
STA. 42+75 TO STA. 46+65
STA. 48+73 TO STA. 57+30

* SEE PLANS FOR PARKING LANE LIMITS

FILE NAME = D160E24-sht-typical.dgn
PLOT DATE = 1/12/2009

CHRISTIAN-ROGE & ASSOCIATES, INC.
ENGINEERS-PLANNERS-SURVEYORS
211 WEST WACKER DRIVE
CHICAGO, ILLINOIS 60606
PHONE: (312)372-2023 FAX: (312)372-8274

DESIGNED - K.R.K.
DRAWN - A.C.S.
CHECKED - S.J.P.
DATE - JANUARY 9, 2009

REVISED -
REVISED -
REVISED -
REVISED -

**STATE OF ILLINOIS
DEPARTMENT OF TRANSPORTATION**

**TYPICAL SECTIONS
DES PLAINES AVENUE**

SCALE: NONE SHEET NO. 1 OF 1 SHEETS STA. TO STA.

F.A.U. RTE. 2759	SECTION 0505 RS-6	COUNTY COOK	TOTAL SHEETS 24	SHEET NO. 4
FED. ROAD DIST. NO. 1 ILLINOIS FED. AID PROJECT				
CONTRACT NO. 60E24				