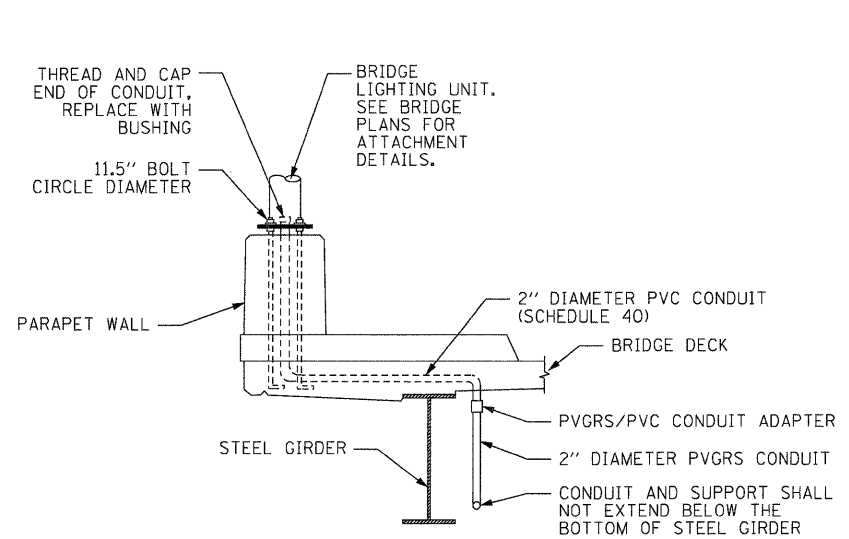
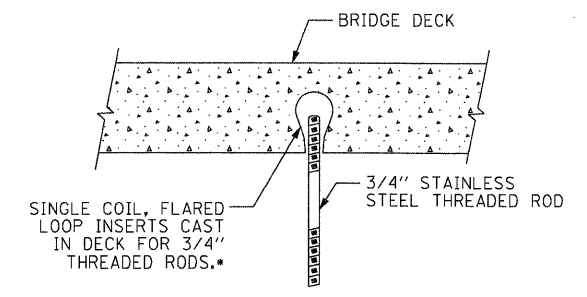


CONDUIT INSTALLATION THROUGH ABUTMENT WALL
NOT TO SCALE

• PVCC CONDUIT HANGER. PROVIDE PVC COATED CONDUIT CLAMP HANGERS FOR USE WITH THREADED RODS TO SECURELY SUPPORT SUSPENDED CONDUIT RUNS AS INDICATED ON THE PLANS. PVC COATED CONDUIT CLAMP HANGERS MUST BE PLASTI-BOND CATALOG NUMBER PB6H5B OR APPROVED EQUAL.

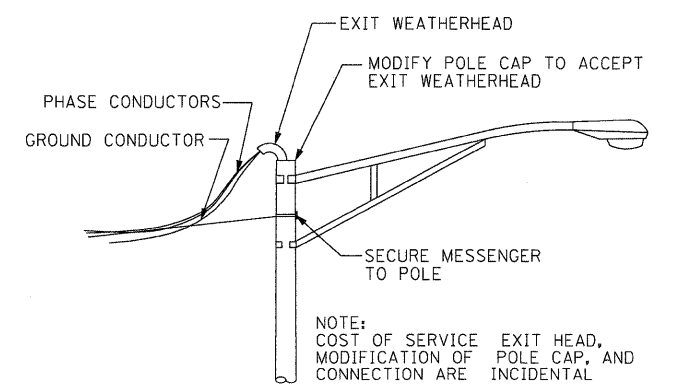


SECTION A-A
NOT TO SCALE



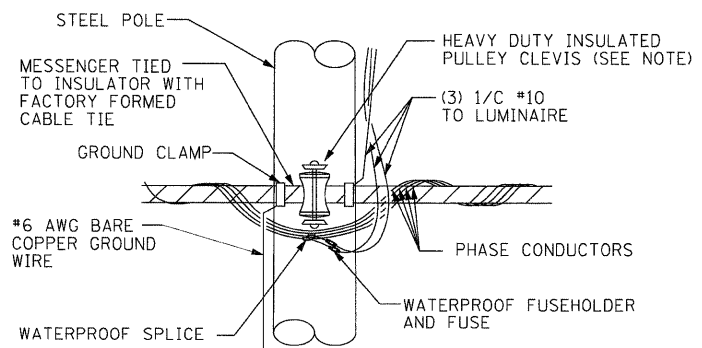
• THE CONTRACTOR SHALL USE APPROVED SINGLE COIL FLARED LOOP INSERTS WHEN PENDANT MOUNTING TO A NEW BRIDGE DECK. THE FLARED LOOP INSERTS MUST BE CAST INTO THE CONCRETE DECK. THE CONTRACTOR IS RESPONSIBLE FOR LOCATING AND COORDINATING THE INSERT LOCATIONS WITH THE BRIDGE DECK CONTRACTOR.

LOOP INSERT DETAIL
NOT TO SCALE

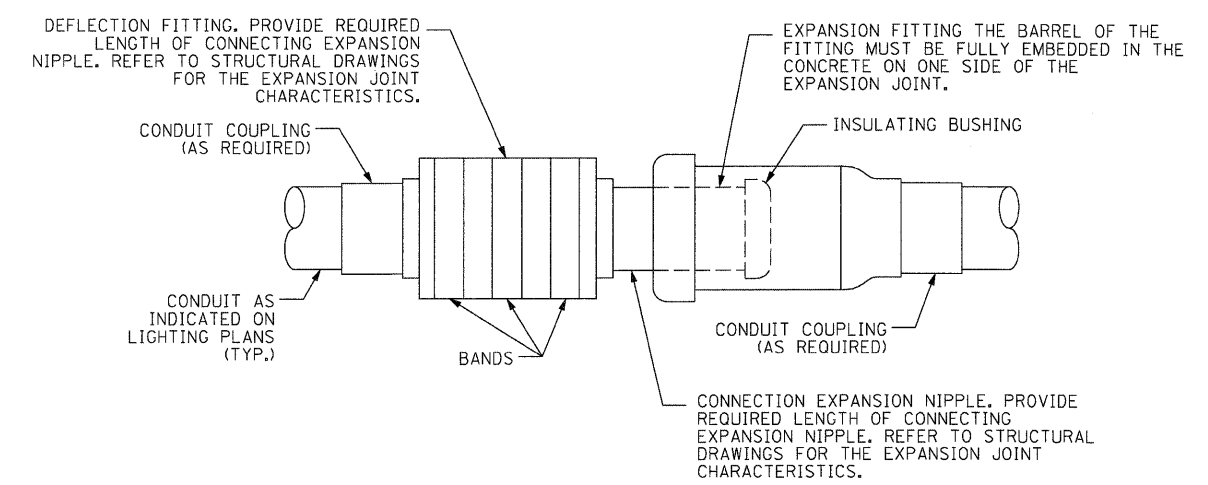


TEMPORARY POWER FEED TO EXISTING STEEL POLE
NOT TO SCALE

NOTE: COST OF SERVICE EXIT HEAD, MODIFICATION OF POLE CAP, AND CONNECTION ARE INCIDENTAL



TEMPORARY LIGHT POLE CABLE ATTACHMENT DETAIL
NOT TO SCALE



NOTE: THE CONTRACTOR SHALL PROVIDE AN EXPANSION/DEFLECTION FITTING AT EACH LOCATION WHERE THE CONDUIT RUN TRAVERSES AN EXPANSION JOINT

CONDUIT EXPANSION / DEFLECTION COUPLING DETAIL
EXPANSION / DEFLECTION FITTING, O-Z/GEDNEY AX/DX OR APPROVED EQUAL
NOT TO SCALE

FILE NAME =	DESIGNED - HS	REVISED -	F.A.P. 392 FRANKLIN CONNECTOR (AT 26th STREET AND AT I-55 FRONTAGE ROAD B)	F.A.P. RTE.	SECTION	COUNTY	TOTAL SHEETS	SHEET NO.
pr\2008\01\15900\Electrical\Cadd\E9_Misc	DRAWN - HS	REVISED -	E9 MISCELLANEOUS DETAILS	392	1717.2-3B-R	COOK	114	46
JACOBSON	CHECKED - CDS	REVISED -	SCALE: N.T.S.	SHEET NO. OF SHEETS STA. TO STA.		CONTRACT NO. 62197		
	DATE - 01/13/09	REVISED -				FED. ROAD DIST. NO. ILLINOIS FED. AID PROJECT		