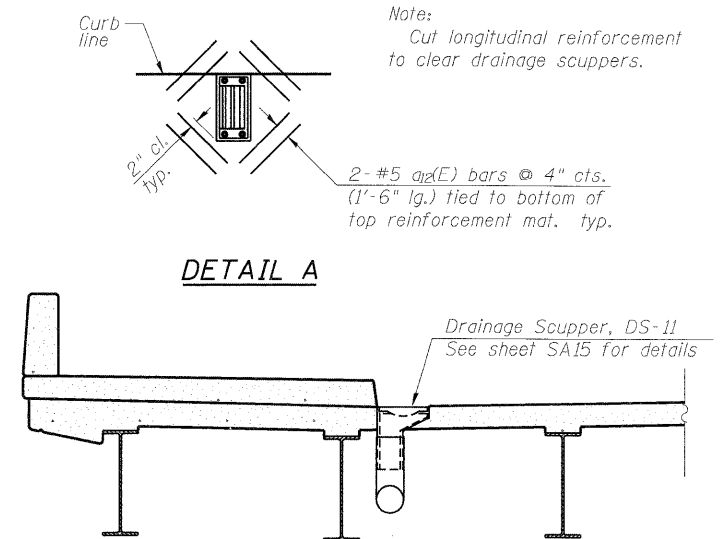


Minimum bar lap:
 #4 bar - 1'-8"
 #5 bar - 2'-2"
 #6 bar - 2'-7"

* Cut to fit skew
 ** Fan end sidewalk bars to match skew

NOTES:

- See Sheet SA12 of SA32 for superstructure details and Bill of Material.
- Bars indicated thus 20 x 3-#5 etc. indicates 20 lines of bars with 3 lengths per line.
- See Sheet SA11 for location of light pole mounts, spacing of parapet joints, and horizontal parapet reinforcement.
- Provide blockout in deck to facilitate installation of continuous strip seal during Stage III construction. Cover blockout and portion of backwall to be poured in Stage III with a secured, 1" steel plate during Stage II. Cost of steel plate and securing hardware included with Concrete Superstructure.
- See Sheet SA29 for details of Bar Splicers.



SECTION B-B