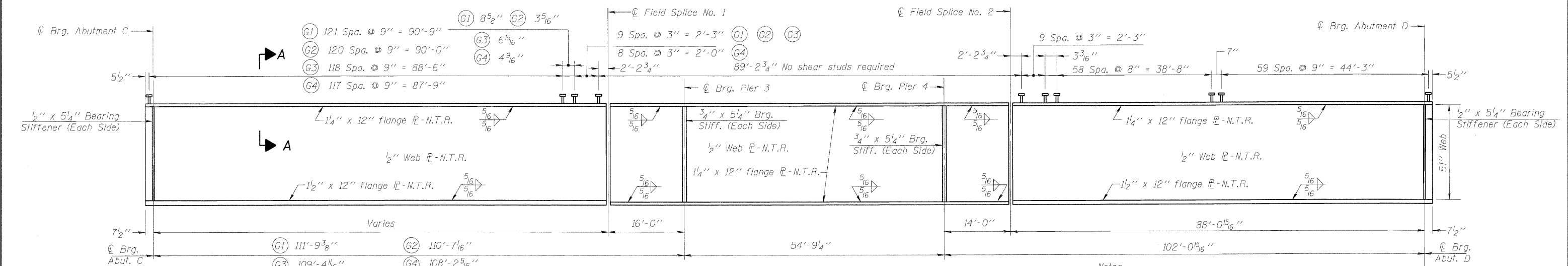
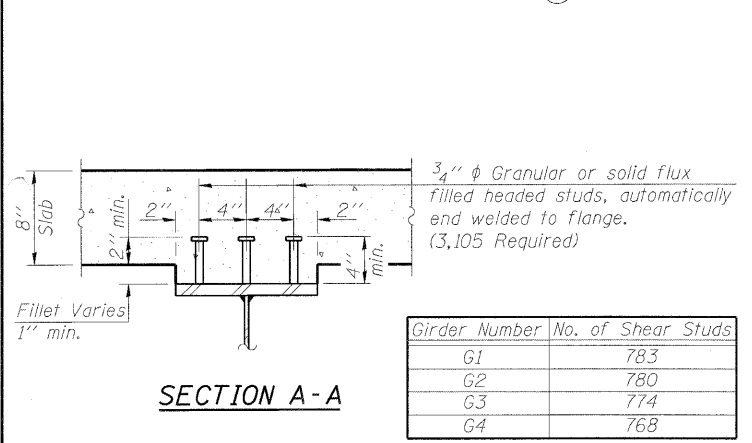


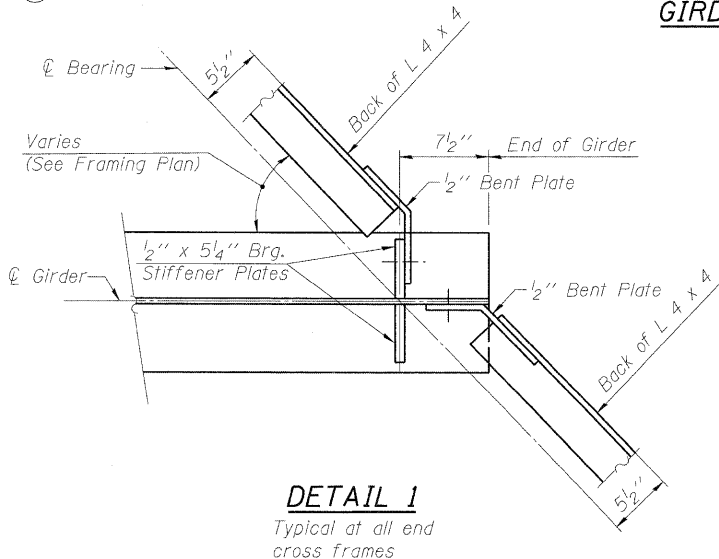
FRAMING PLAN



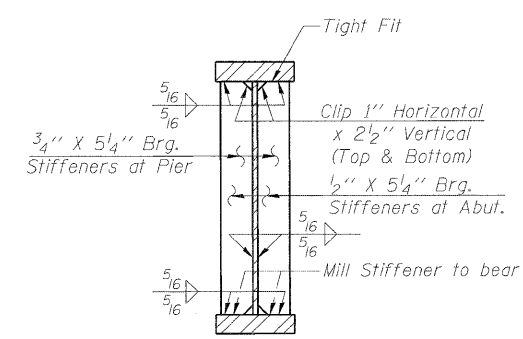
GIRDER ELEVATION



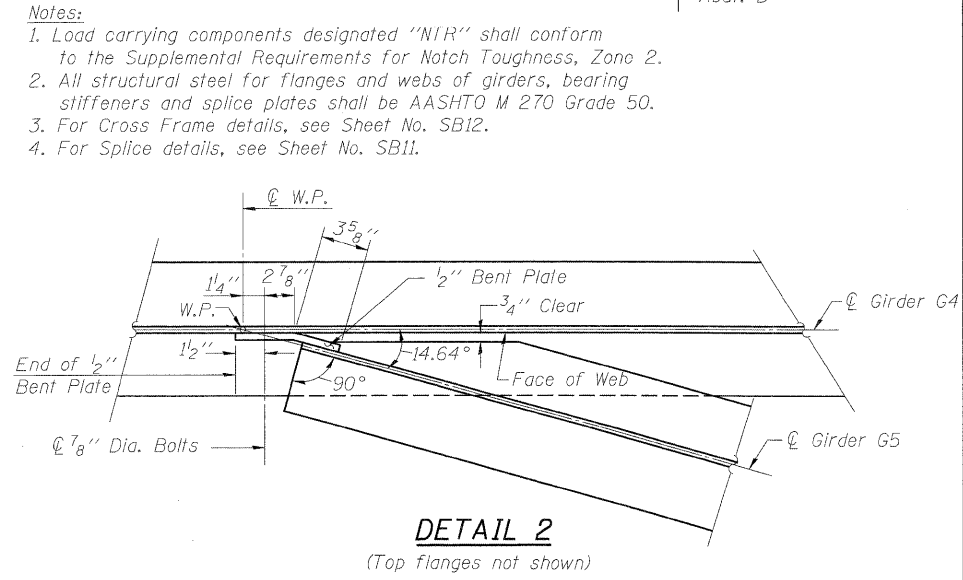
SECTION A-A



DETAIL 1
Typical at all end cross frames



SECTION AT ABUTMENT AND PIER



DETAIL 2
(Top flanges not shown)

- Notes:**
1. Load carrying components designated "NTR" shall conform to the Supplemental Requirements for Notch Toughness, Zone 2.
 2. All structural steel for flanges and webs of girders, bearing stiffeners and splice plates shall be AASHTO M 270 Grade 50.
 3. For Cross Frame details, see Sheet No. SB12.
 4. For Splice details, see Sheet No. SB11.