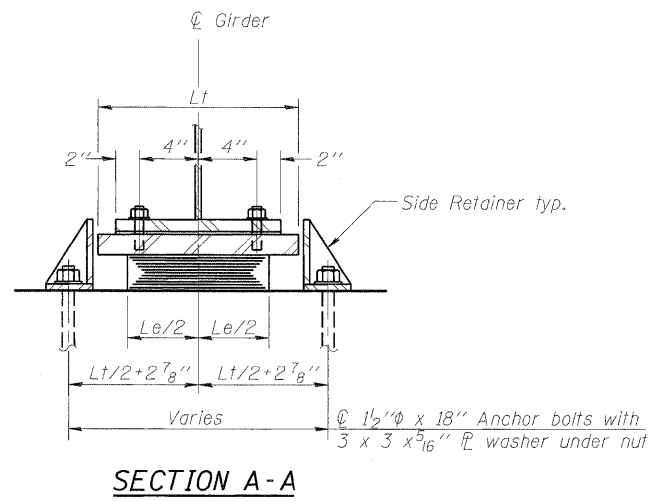
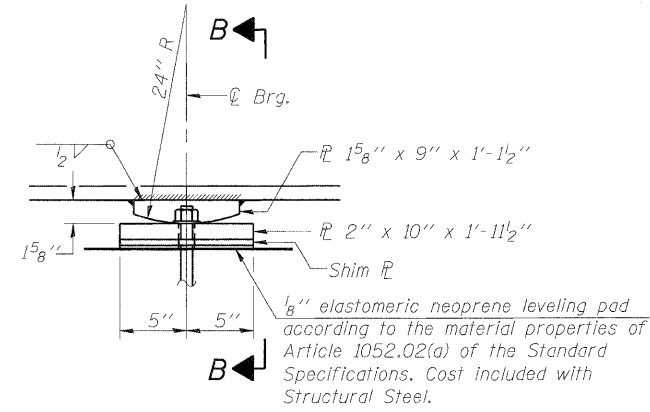


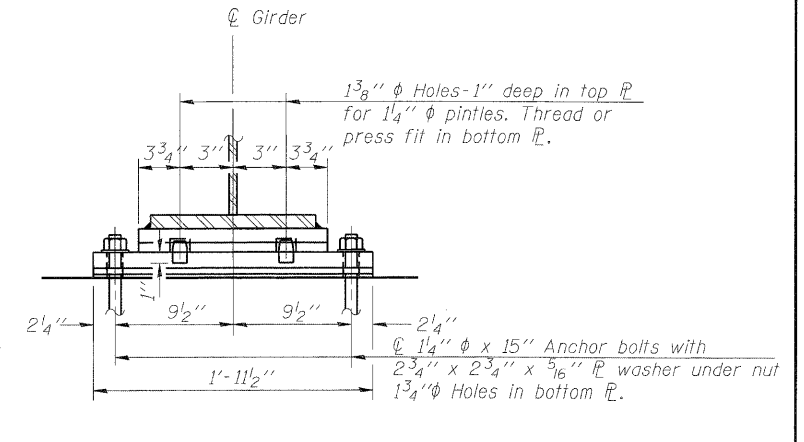
ELEVATION



SECTION A-A



ELEVATION



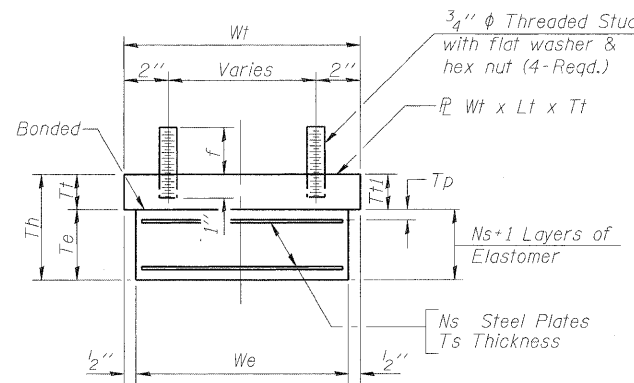
SECTION B-B

TYPE I ELASTOMERIC EXP. BRG.

(At Abutments C and D, and Pier 4)

FIXED BEARING

(At Pier 3)



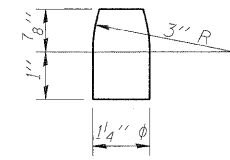
BEARING ASSEMBLY

Notes:

- Shim plates shall not be placed under Bearing Assembly.
- Two 1/8" adjusting shim plates shall be provided for each bearing in addition to all other plates shown on the bearing details.

EXPANSION BEARING TABLE												
Location	We	Le	Wt	Lt	Tt	Tt1	Te	Th	Tp	Ns	Ts	f
Abut. C	12"	18"	13"	20"	1 7/8"	—	3 9/16"	5 7/16"	9/16"	4	3 1/16"	3 1/4"
Abut. D (Girders G1-G4)	12"	18"	13"	20"	1 7/8"	—	5 1/16"	6 15/16"	9/16"	6	3 1/16"	3 1/4"
Abut. D (Girder G5)	6"	10"	7"	12"	1 1/2"	1 9/16"	3 7/16"	4 15/16" (+)*	5/16"	8	14 g0	3"
Pier 4	14"	22"	15"	24"	2 1/2"	—	2 7/16"	4 15/16"	1/16"	2	3 1/16"	3"

* Average thickness

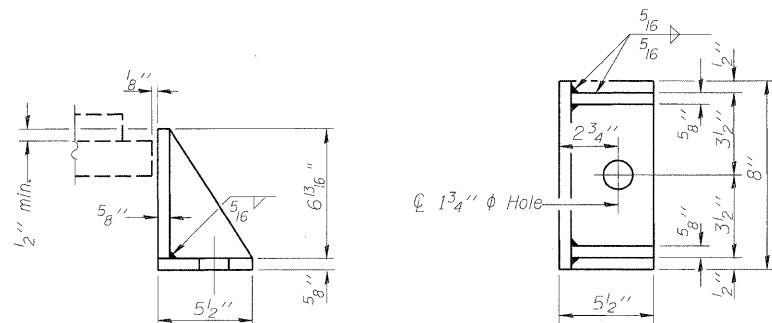


PINTLE

AASHTO M270
 Grade 36

Notes:

- All structural steel for bearings shall be AASHTO M270 Grade 50 except as noted.
- Anchor bolts shall be ASTM F1554 all-thread (or an Engineer-approved alternate method) of the grade and diameter specified. ASTM 307 Grade C anchor bolts may be used in lieu of ASTM F1554 Grade 36 (Fy=36 ksi). The corresponding specified grade of AASHTO M314 anchor bolts may be used in lieu of ASTM F1554.
- Anchor bolts at fixed bearings may be either cast in place or installed in holes drilled after the supported member is in place.
- Anchor bolts for side retainers may be cast in place or installed in holes drilled before or after members are in place.
- Drilled and set anchor bolts shall be installed according to Article 521.06 of the Standard Specifications.
- Side retainers and other steel members required for the bearing assembly shall be included in the cost of Elastomeric Bearing Assembly, Type I.



SIDE RETAINER

Equivalent rolled angle with stiffeners will be allowed in lieu of welded plates (Weight included with Structural Steel).

BILL OF MATERIAL

Item	Unit	Quantity
Elastomeric Bearing Assembly, Type I	Each	13
Anchor Bolts 1 1/4"	Each	8
Anchor Bolts 1 1/2"	Each	26